

## ***Thank you for Shopping with us!***

***We hope we were able to provide your home with the perfect vanity. This vanity has been constructed with design, quality and functionality in mind. We hope you enjoy this new addition!***

***Your feedback is invaluable to us and we would love to hear about your experience. Please take the time to leave us a review.***

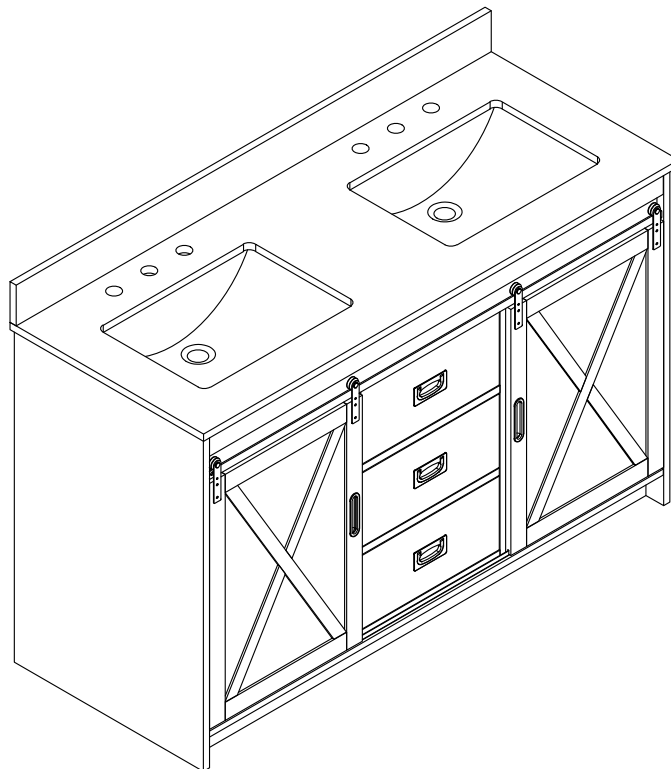
## **Have a Question?**

Questions regarding your order?  
Parts missing or broken?

Contact us at: [info@sudiodesign.com](mailto:info@sudiodesign.com)

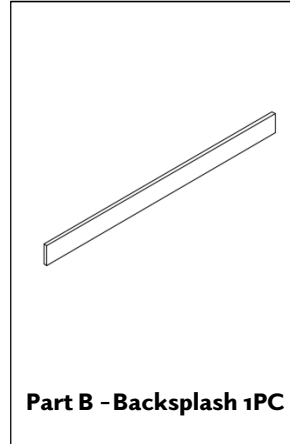
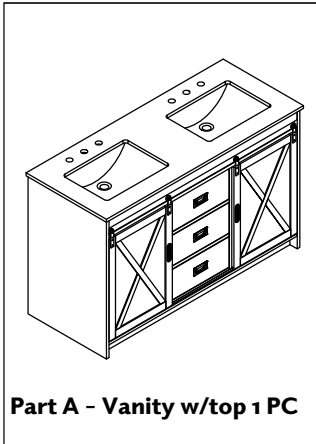
Want to learn more about your purchase?  
Visit our website at [www.sudiodesign.com/faq](http://www.sudiodesign.com/faq)

**We encourage you to take a few minutes to go through this booklet. It contains important information on installation and care tips to keep your furniture looking as good as new.**



Before installation, please check and ensure you received the items in the below "Part List". Please report any missing items to your retailer immediately.

**Part List**

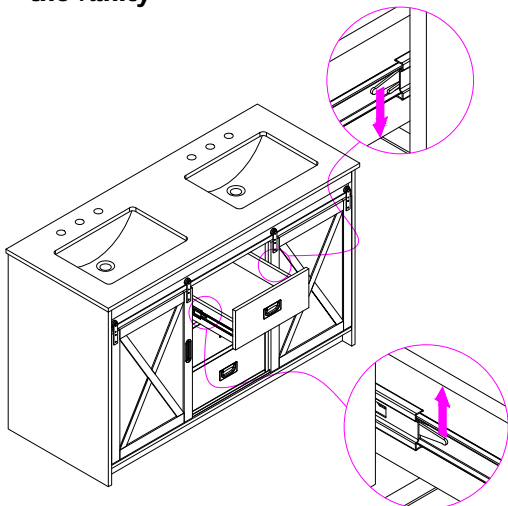


**NOTES AND INSTALLATION**

- Faucet, drain, silicone and all other plumbing components, tools & hardware are not included.
- Handling will require two people
- Ensure the vanity is installed on a level floor. Unevenness can cause the vanity to become misaligned, resulting in twisting of the cabinet. Balance any uneven areas by using the adjustable levelers.
- Ensure all building & plumbing codes are respected. Professional installation recommended.

**STEP 1**

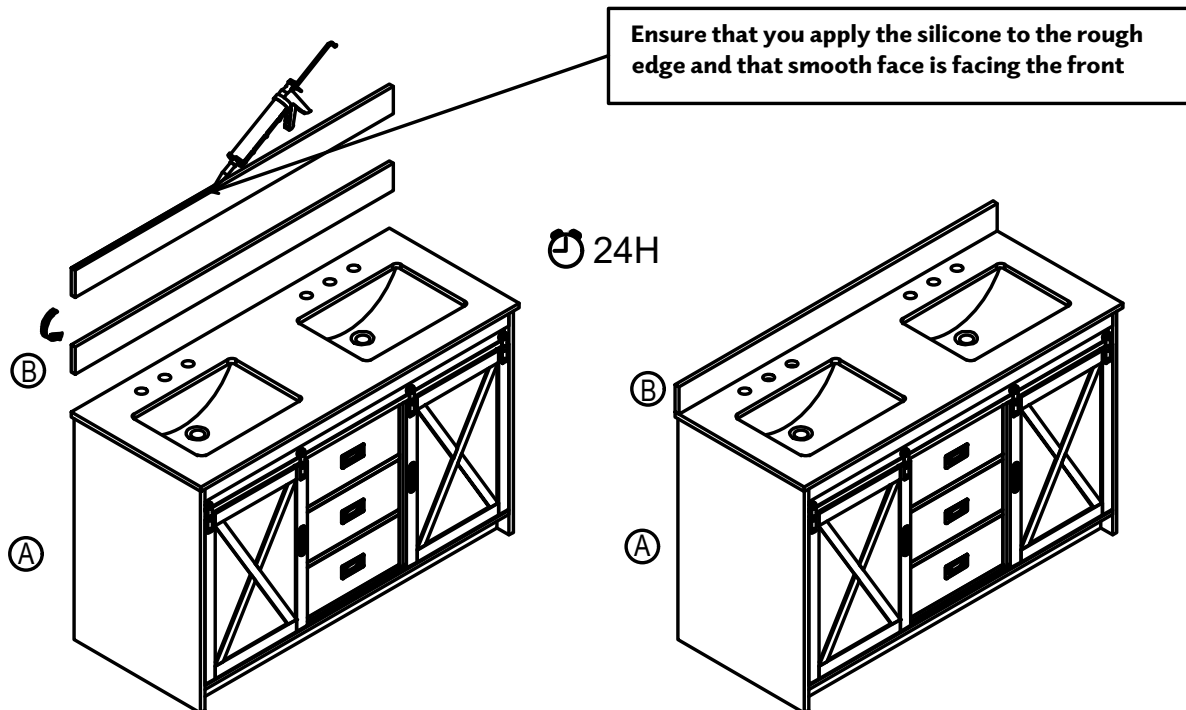
- Place the vanity in the desired location.
- Ensure the vanity is level. Shim legs, if necessary.
- The drawers need to be removed to assist with plumbing installation and to secure the vanity to the wall. Locate the plastic clips located on both sides of the bottom of the drawer. At the same time, press the right spring clip downward and the left spring clip upward. Once both spring clips are held in the indicated position, pull the drawer straight out.
- Install the faucet and all plumbing.
- Using the appropriate screws and wall anchors secure the vanity to the wall through the back rail panel of the vanity



- Ensure there are no water leaks.
- To reinsert the drawers, close completely both drawer slides attached to the vanity. Move the component of the slides with ball bearings to the front of the slides, maintaining the slides completely closed. Carefully line up the slides of the drawer box with the slides in the base cabinet and close the drawer all the way to the back. Open the drawer completely to ensure it is properly installed.

**STEP 2**

- With the vanity in its location and all plumbing in place, apply a bead of silicone to the unpolished back side and bottom edge of the backsplash and secure it to the vanity and wall.
- Wipe away any excess silicone immediately.

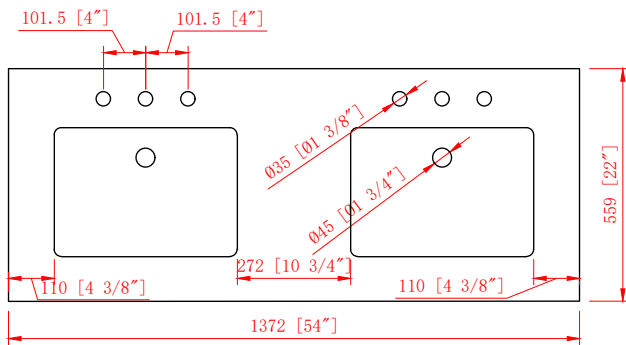


**CARE, CLEANING AND MAINTENANCE**

- **Dust regularly with a soft, dry cloth.**
- **Avoid the use of all chemicals, household cleaners and abrasives that may damage finish.**
- **Excessive exposure to sunlight and extreme changes in temperature and moisture can damage furniture.**
- **Avoid placing hot appliances, such as curling irons and hot hair dryers directly on the counter top.**
- **Avoid placing extremely heavy items on countertop.**
- **Stone countertops are surprisingly resilient to stains and scratches. However, as a preventative measure, any spills on the stone surfaces should be wiped within a reasonable amount of time. Don't let liquid sit on the stone overnight. Stone countertops are most prone to staining by oil and acid, so be sure to blot these spills up as soon as they happen. Follow up by cleaning the stone with a mild non-abrasive soap and water. In bathrooms specifically, stone tends to attract soap scum, just like man-made tile. Rinse vanity top with clean, hot water frequently. The use of sealers is also a powerful preventative measure. Your stone was sealed at the factory, but reapplication is necessary over time. The frequency of countertops use and quality of the sealer will determine how often it needs to be reapplied. We recommend using a penetrating non-toxic sealer for bath areas, but a food-safe sealer is typically not necessary.**
- **If stains and scratches on the countertop occur, there are many things you can do as a consumer to remove them. Remove oil-based stains with acetone, mineral spirits, or ammonia. Organic stains like coffee, tea, or juice can be removed with hydrogen peroxide, mixed with a few drops of ammonia. Water spots or rings are the most common problem with bath vanities, and are caused by minerals left behind when water evaporates. These can be removed by buffing the spots gently with 00 gauge steel wool. Small nicks and scratches can often be removed the same way.**
- **Larger scratches, chips, and resilient stains on the countertop may require professional assistance. Please contact your local stonemason for details.**

**DIMENSIONS**

**TOP VIEW**



**BACK VIEW**

