


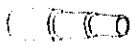


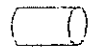


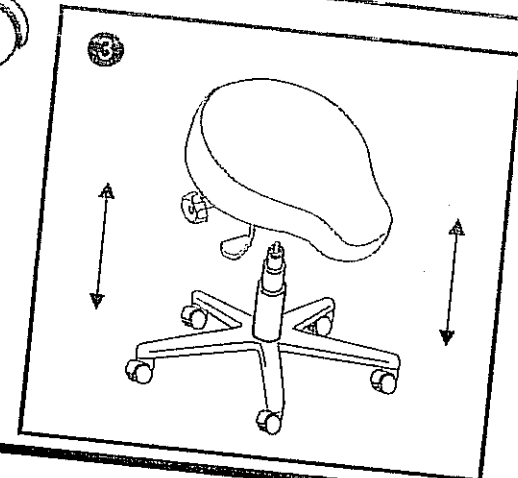
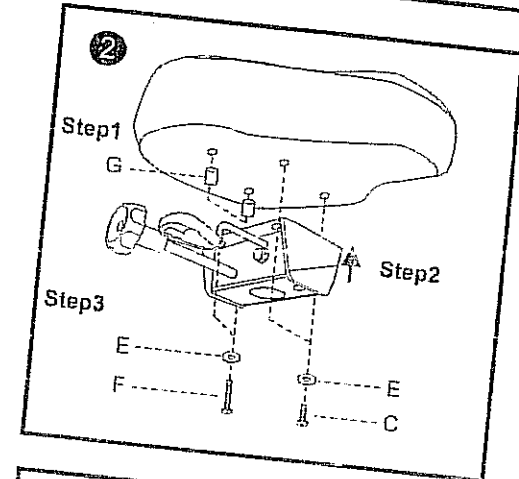
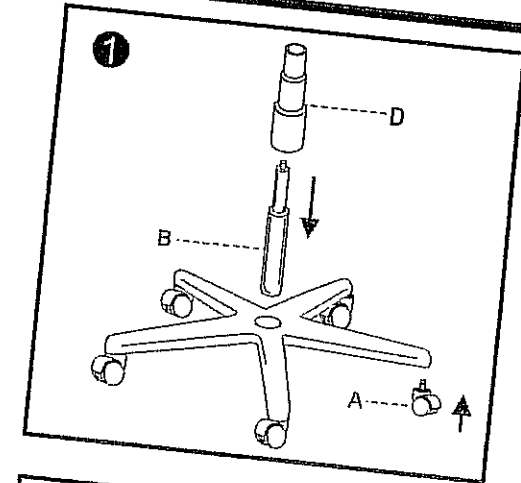
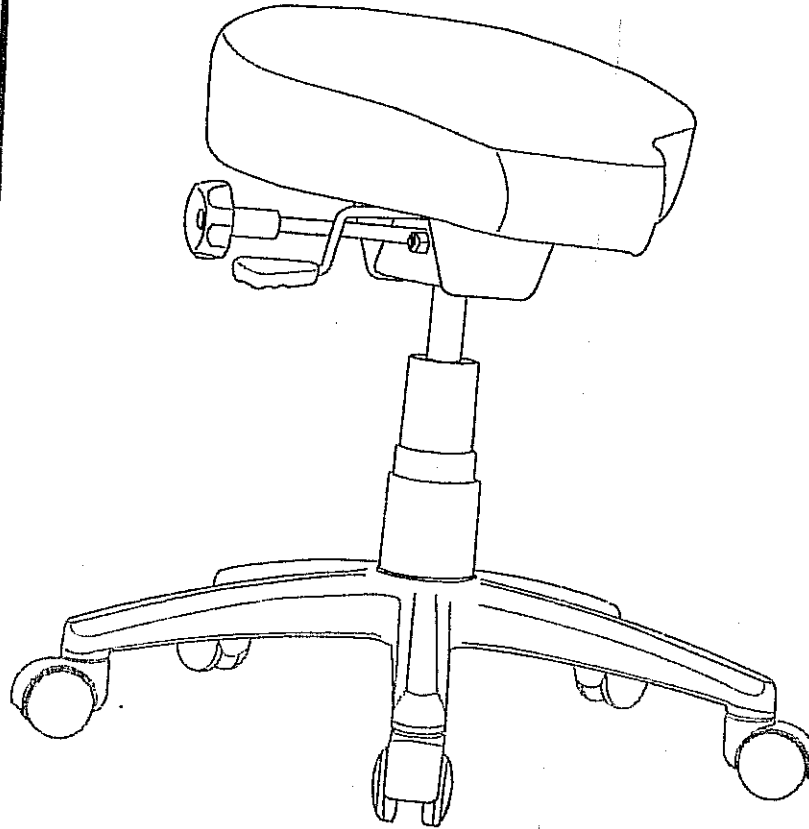
# Model 1620

# Assembly Instructions

WL-1620-GG

## Parts Listing

- |   |   |
|---|---|
| A   | B   |
|  |  |
| 5PCS  | 1PC   |
| C   | D   |
|  |  |
| 2PCS  | 1PC   |
| E   | F   |
|  |  |
| 4PCS  | 2PCS  |
| G   |   |
|  |   |
| 2PCS  |   |



### ASSEMBLY NOTES:

During assembly, hand tighten screws only. When all screws are in place, you may then tighten all screws completely.

**CAUTION:** 1. Do not use this chair as a step ladder.  
2. Check for loose screws and tighten them anytime.