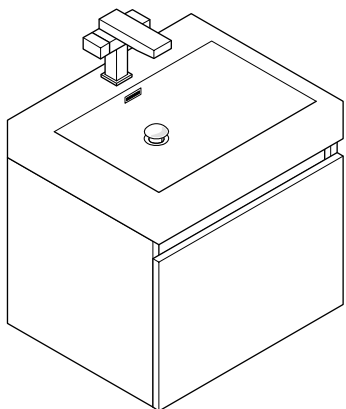
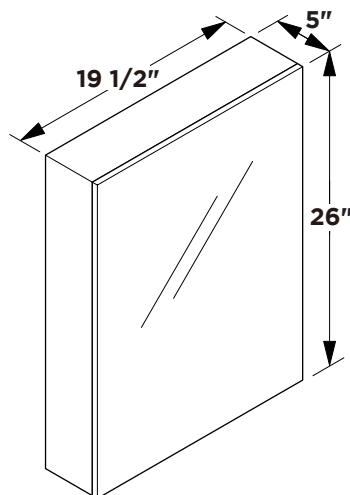
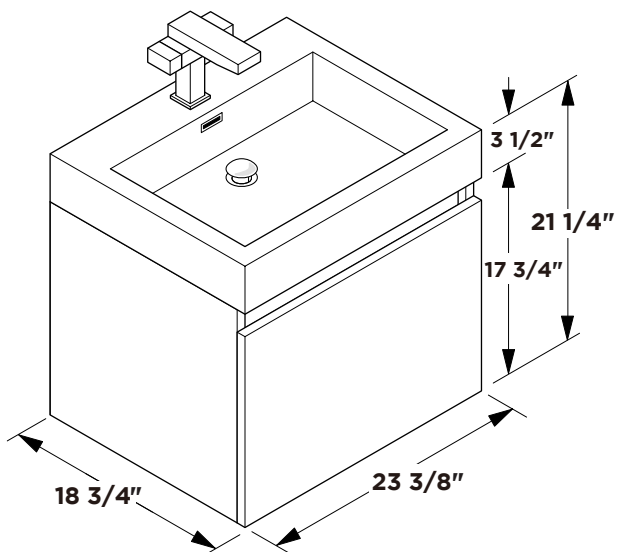


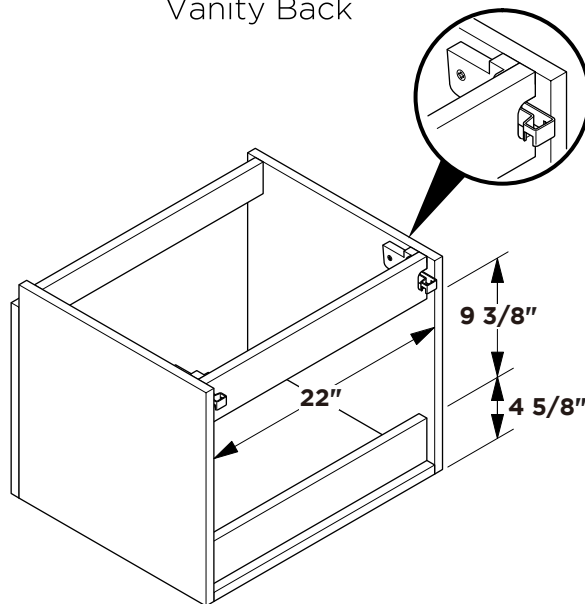
Medicine Cabinet



Vanity Front

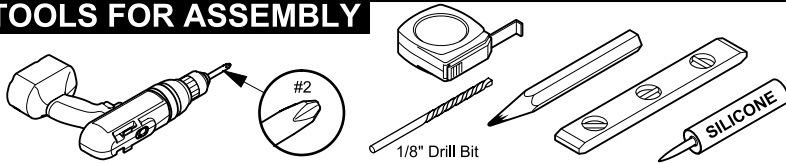


Vanity Back

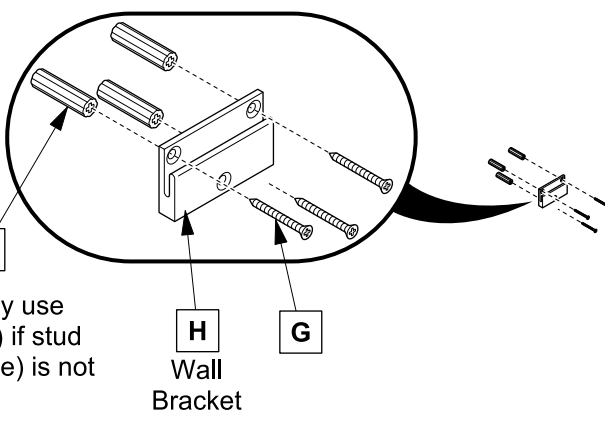
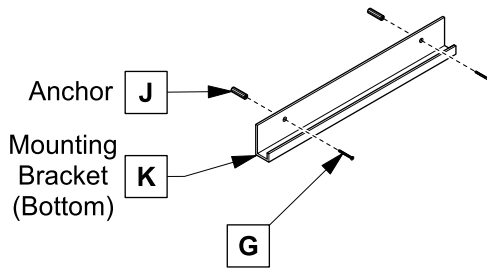
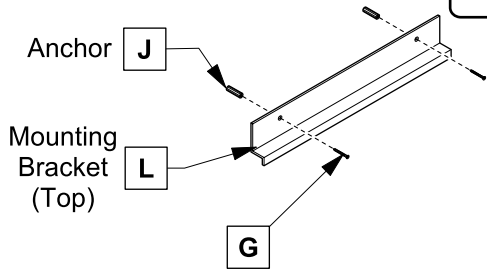
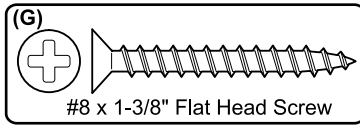


Note: All dimensions and specifications are approximate and subject to change without notice.

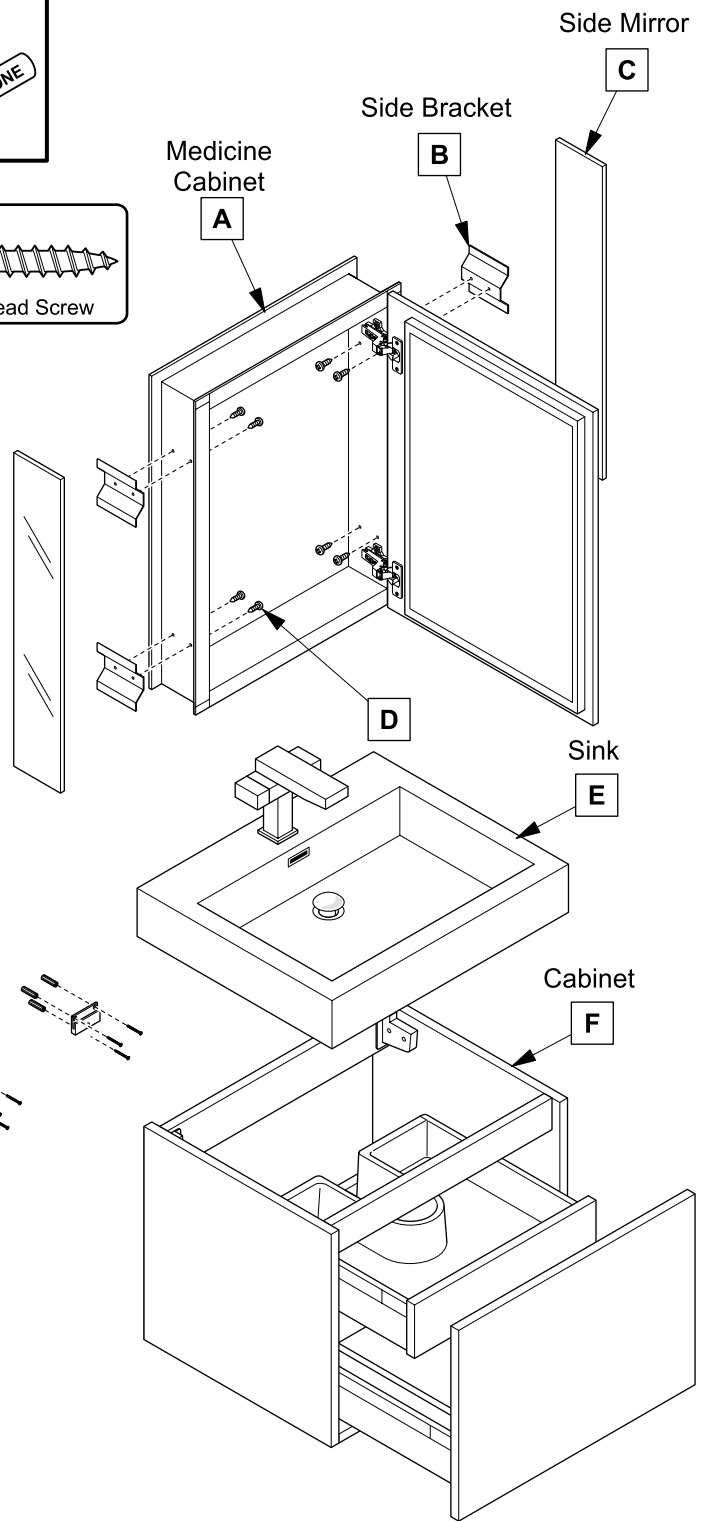
## TOOLS FOR ASSEMBLY



## PARTS

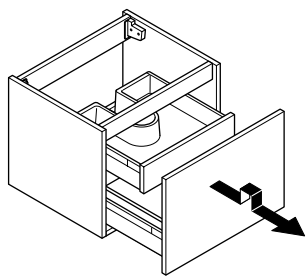


**NOTE:** Only use anchors (J) if stud (2"x4" frame) is not available.

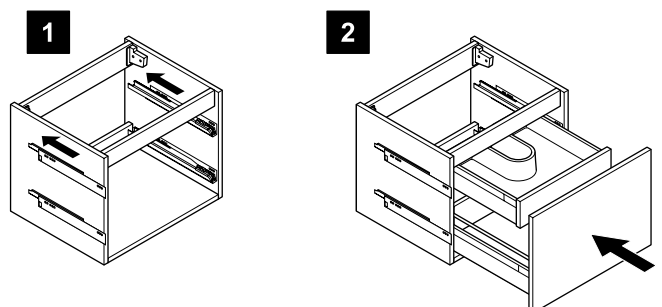


## DRAWER REMOVAL & INSTALLATION

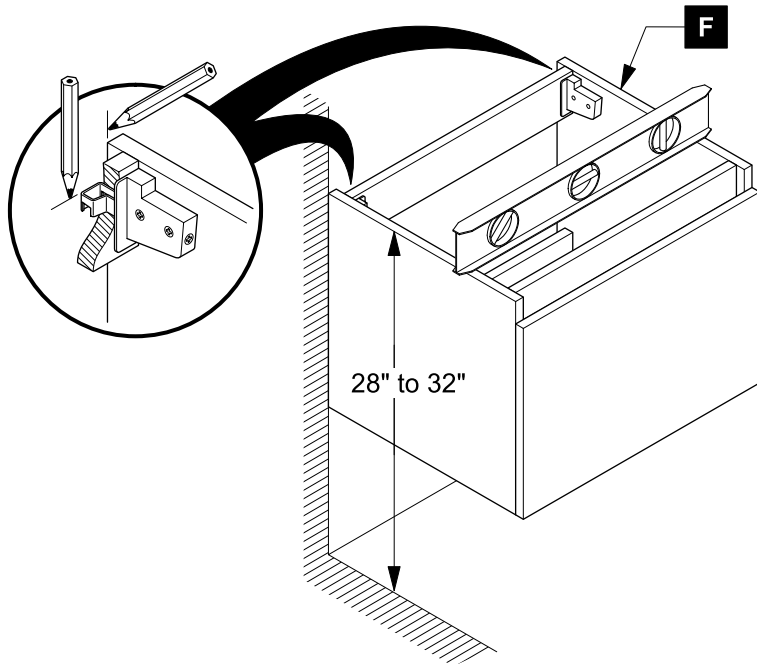
### REMOVAL



### INSTALLATION

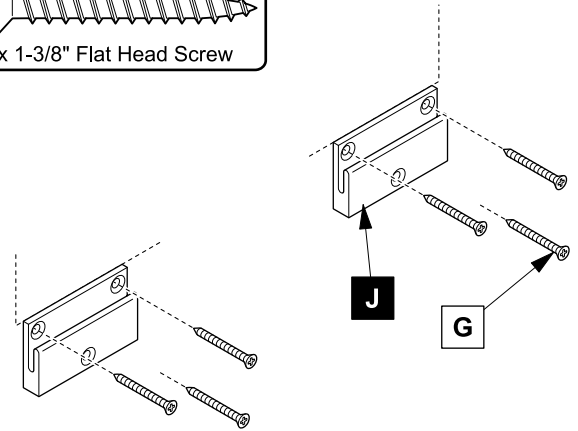
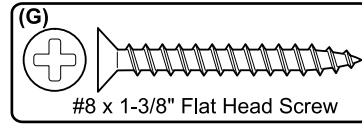


# 1 Locate cabinet (C) & mark location



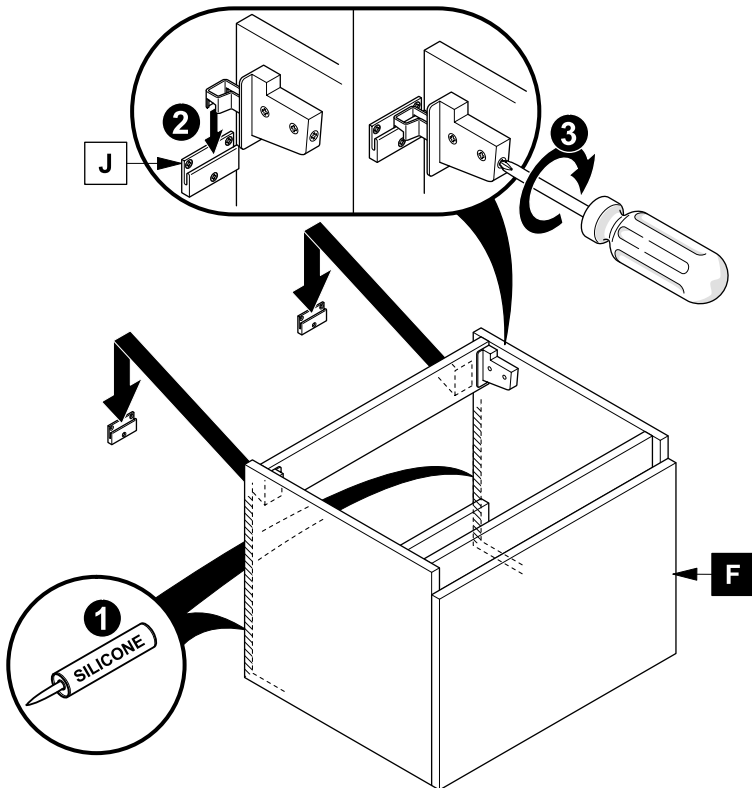
# 2 Install wall brackets (J)

**IMPORTANT:** Consult an expert for the proper screws/bolts to use when attaching to various wall constructions. Screws provided do not attach to all wall construction types.

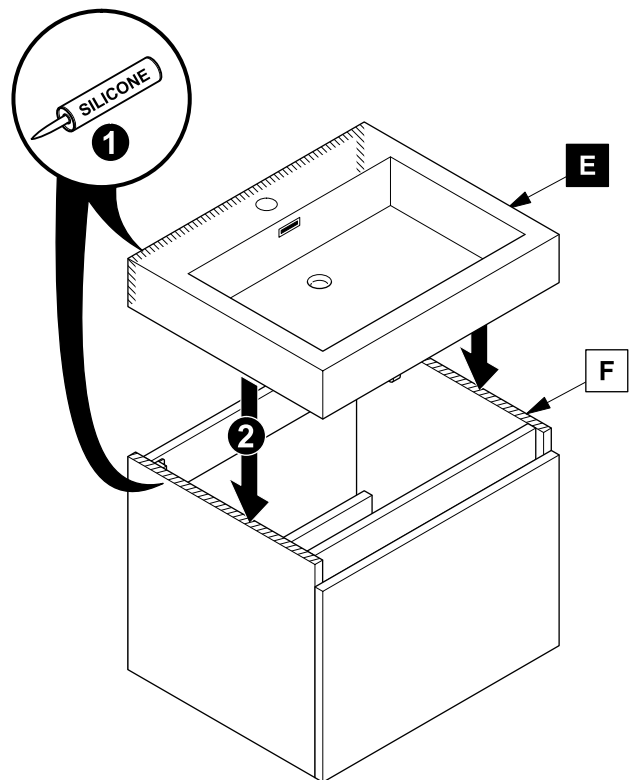


# 3 Apply silicone and install cabinet (F)

**NOTE:** If necessary remove drawers to access connection mechanism.

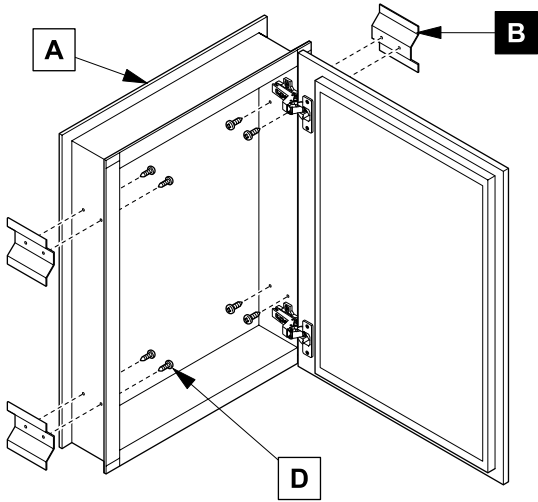


# 4 Apply silicone and install sink (E)

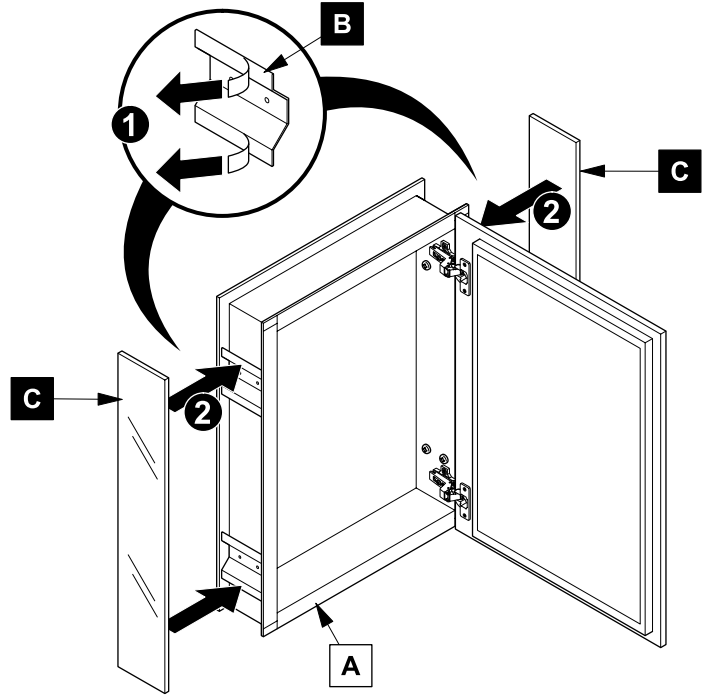


# MEDICINE CABINET INSTALLATION

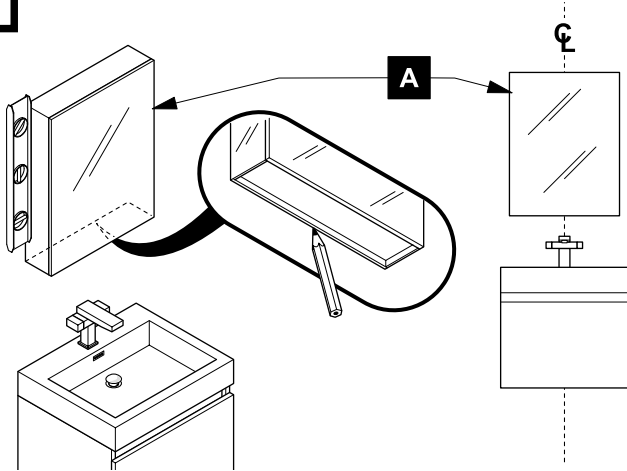
## 1 Install side brackets (B)



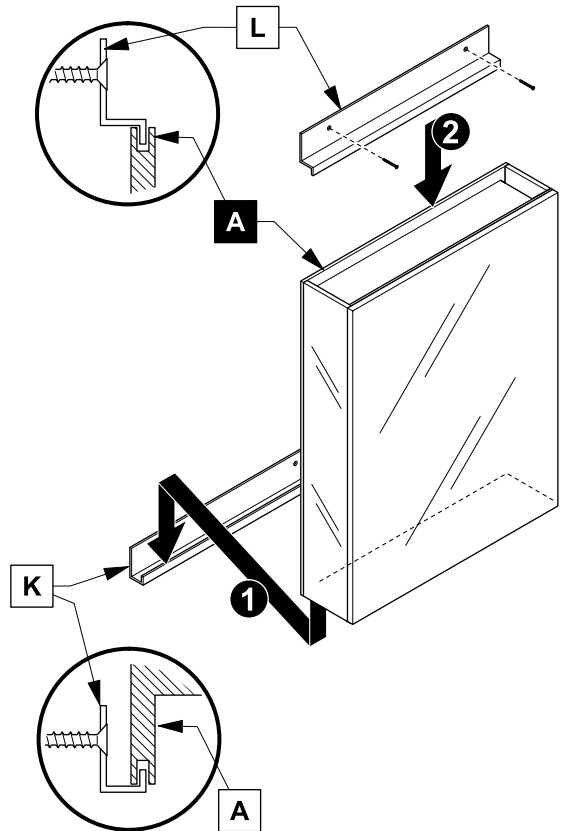
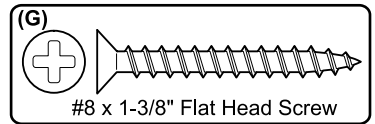
## 2 Install side mirrors (C)



## 3 Mark cabinet (A) location

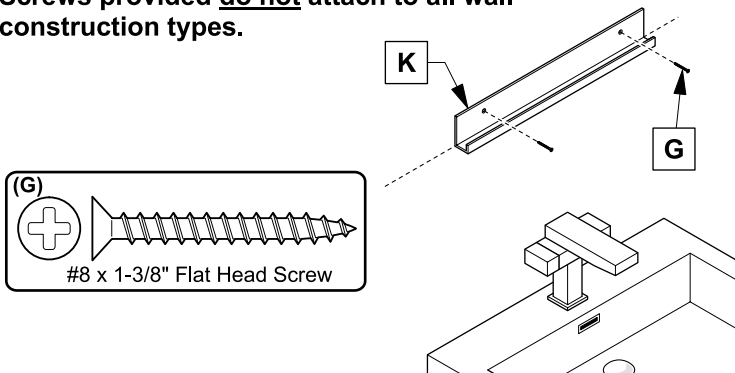


## 5 Install cabinet (A)



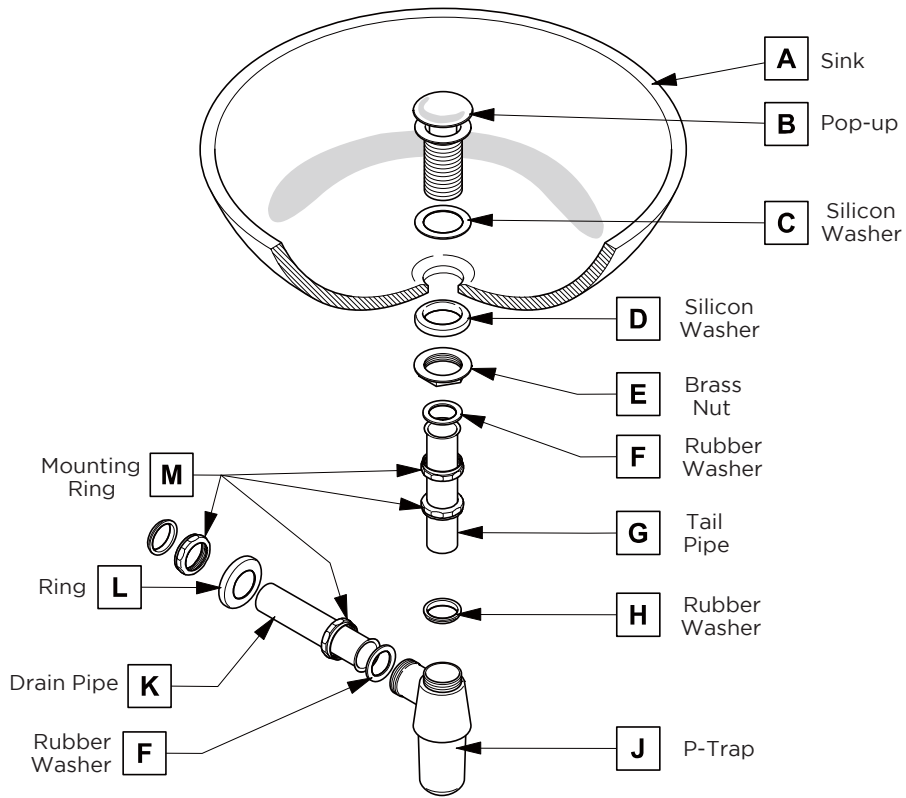
## 4 Install bottom bracket (K)

**IMPORTANT:** Consult an expert for the proper screws/bolts to use when attaching to various wall constructions. Screws provided **do not** attach to all wall construction types.



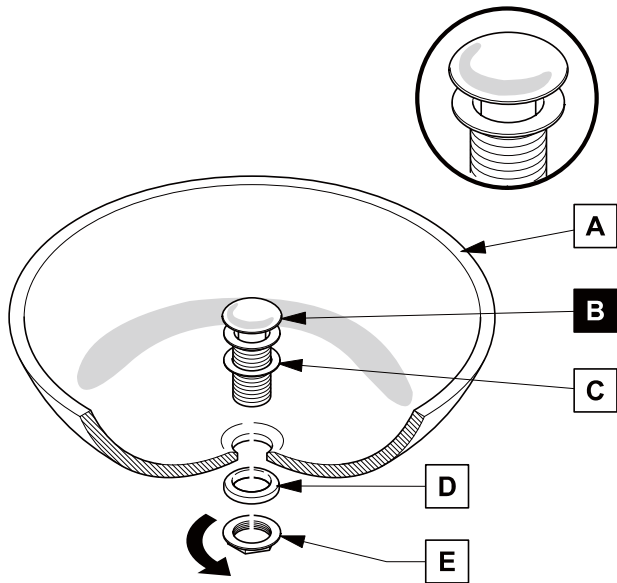
## P-TRAP AND POP-UP INSTALLATION INSTRUCTIONS

Your item may appear slightly different from the illustration



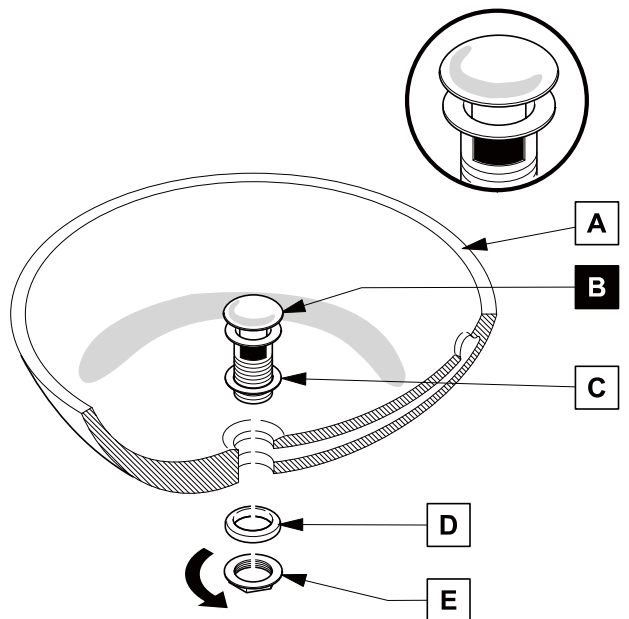
### POP-UP INSTALLATION

#### FOR SINKS WITHOUT OVERFLOW



OR

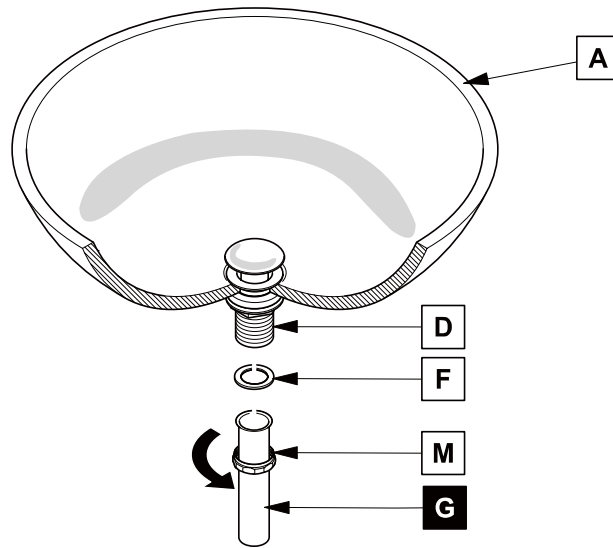
#### FOR SINKS WITH OVERFLOW



# P-TRAP INSTALLATION

1

Install tail pipe (G)



2

Install p-trap (J)

