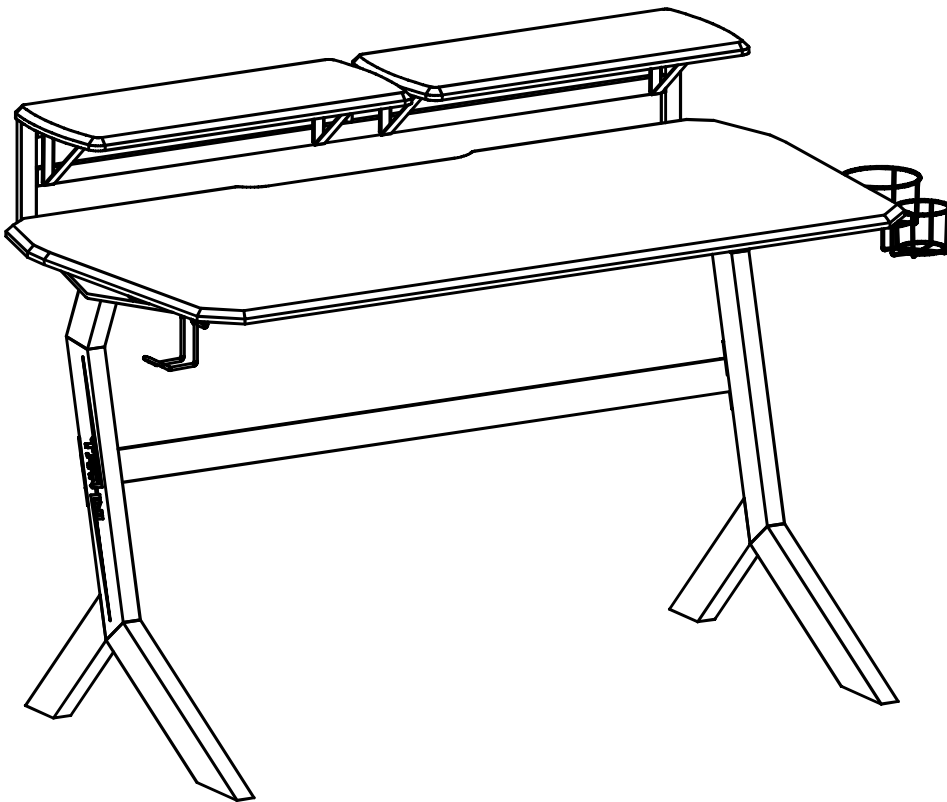




MODEL RTA-TS201

ASSEMBLY INSTRUCTIONS

Thank you for purchasing our product.





- Please read carefully the assembly instructions before the installation.

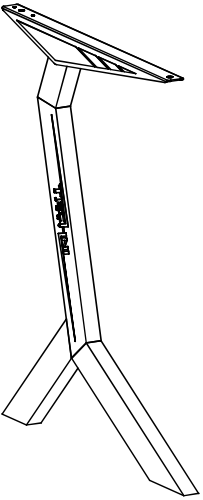
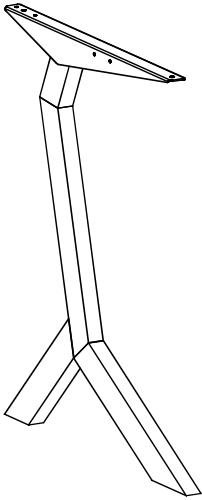
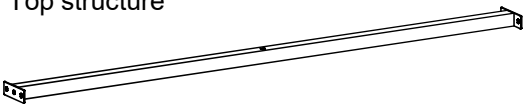
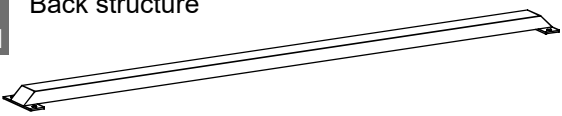
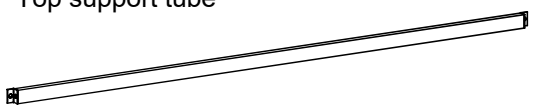


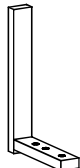



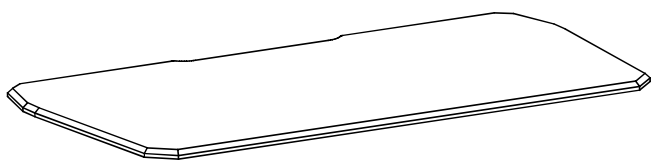
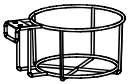
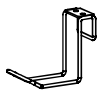
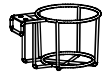




- Do not discard this manual or any of the packaging material until the unit has been completely assembled.








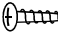


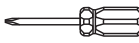
- Might require two people.

MAIN PARTS LIST

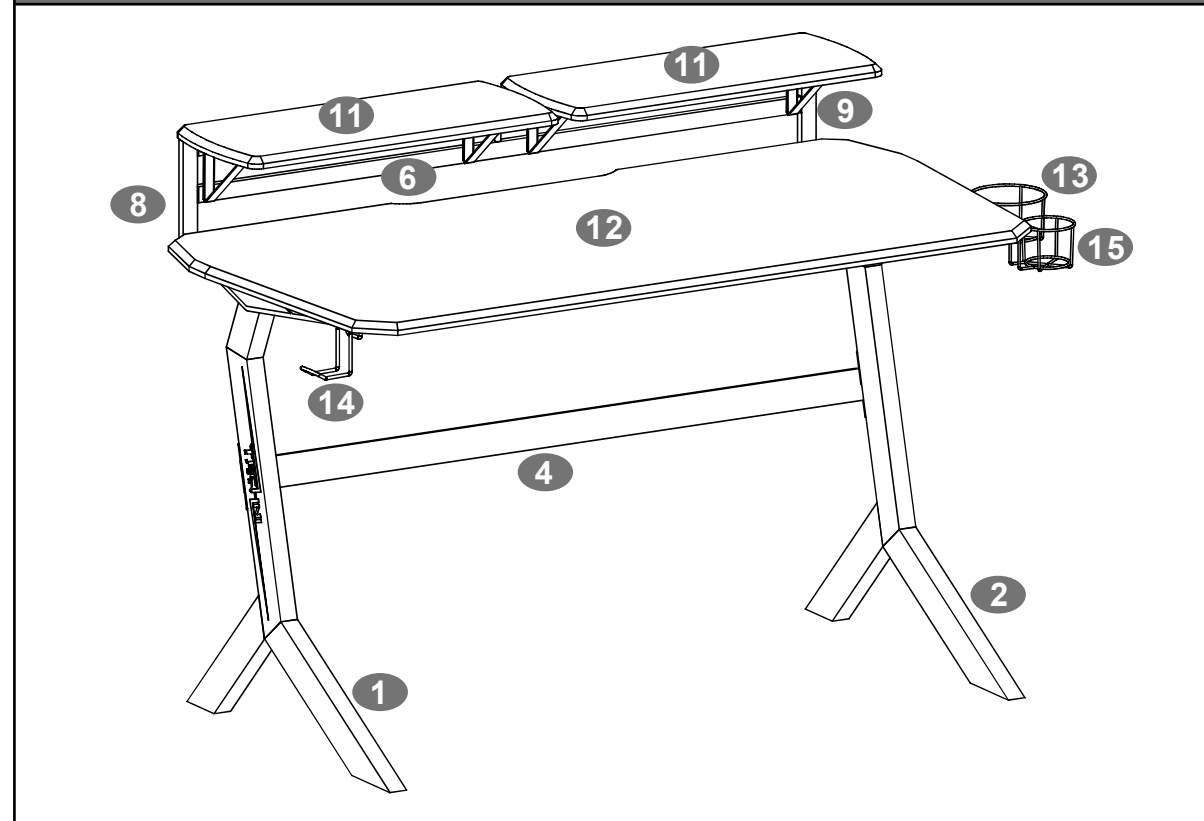
<p>1 x1</p> <p>Left leg structure</p> 	<p>2 x1</p> <p>Right leg structure</p> 	<p>3 x1</p> <p>Top structure</p> 	<p>4 x1</p> <p>Back structure</p> 	
<p>5 x1</p> <p>Top support tube</p> 		<p>6 x1</p> <p>Bottom support tube</p> 		
<p>7 x1</p> <p>Connector tube</p> 	<p>8 x1</p> <p>Left "L" structure</p> 	<p>9 x1</p> <p>Right "L" structure</p> 	<p>10 x4</p> <p>Monitor support structure</p> 	
<p>11 x2</p> <p>Monitor panel</p> 		<p>12 x1</p> <p>Main panel</p> 		
<p>13 x1</p> <p>Large cup holder</p> 	<p>14 x1</p> <p>Headset hanger</p> 	<p>15 x1</p> <p>Small cup holder</p> 	<p>16 x4</p> <p>Glide studs</p> 	<p>17 x4</p> <p>Support hooks</p> 

LIST OF HARDWARE, SCREWS AND FITTINGS

PART	QTY	ITEM	
A	18	M6x12	
B	4	M6x15	
C	6	M6x25	
D	2	M6x35	
E	1	M6x40 (headless)	

PART	QTY	ITEM	
F	9	ST4x14	
G	8	O-Ring Ø10mm	
	1	M4	
	1	Screwdriver	

MAIN PARTS LAYOUT (FOR REFERENCE):

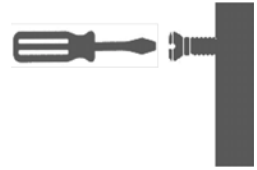


BEFORE YOU START THE ASSEMBLY, PLEASE READ THE FOLLOWING TIPS AND WARNINGS.

1 Do a quick inventory to make sure the package contains all the parts and hardware listed in the assembly instructions.



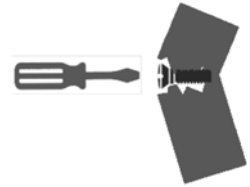
7 To avoid misalignments, always leave the screws loose and tighten them until all pieces are positioned correctly.



2 Missing, damaged and defective parts can be replaced at no cost to you. Please refer to the last pages on this manual.



8 Do not overtighten or force the screws as they might break, strip, damage the threads of the holes or get stuck inside the part.



3 The replacement parts service is limited to the continental United States. If you reside in Alaska, Hawaii, Puerto Rico, U.S. territories or other countries, please contact the supplier from where the unit was purchased.



9 Sometimes the laminate might cover partially or entirely the hole on a panel. If there is no visible hole for the screw, pass and press the tip of your finger over the area where the hole should be located to feel the indentation, and once found, carefully pierce the laminate to reveal the hole underneath.



4 If during assembly you find an issue or need clarification, please contact our Customer Service for assistance. Please refer to the last pages on this manual.



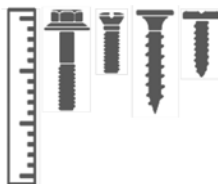
5 On each step read the instructions and analyze the illustrations thoroughly before proceeding to do the assembly.




10 If the hole seems too small for the screw, first make sure you are using the correct size of screw and that it's been installed in the correct hole. If the hole still appears to be too small, carefully pierce the laminate to reveal the hole's actual size.

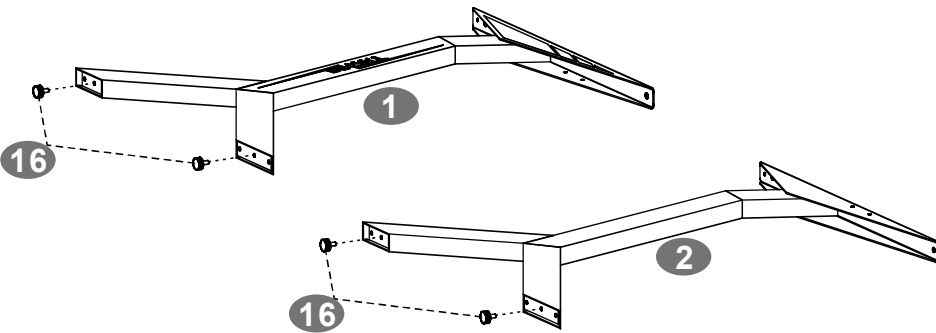


6 Make sure you understand which hardware will be used on each step. Using the wrong size of screw, bolt or pin might strip the threads or cause damage to the part in which it is being used.






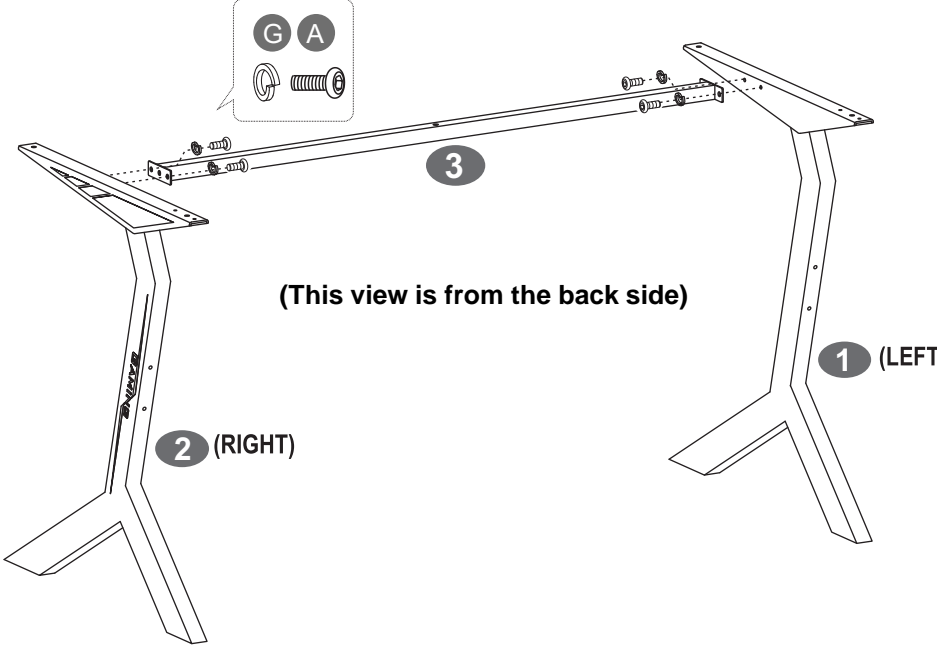
ASSEMBLY STEPS

STEP 1		<p>Insert the studs 16 to the bottom of the leg structures left 1 and right 2 as shown.</p>
Hardware/tools:		
16	 4 Pcs	



The diagram shows two leg structures, labeled 1 and 2, which are L-shaped. Studs 16 are being inserted into the bottom flange of each leg. Dashed lines indicate the path of the studs.

STEP 2		<p>Assemble the top structure 3 between the legs 1 and 2 with screws A and O-Rings G from inside as shown.</p>
Hardware/tools:		
A	 4 Pcs M6x12	
G	 4 Pcs Ø10mm	
		

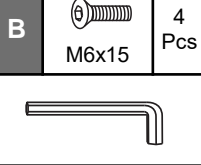


The diagram shows the top structure 3 being attached to the legs 1 and 2. A callout box shows the hardware: O-rings G and screws A. The view is from the back side of the desk. Labels indicate leg 1 is on the left and leg 2 is on the right.

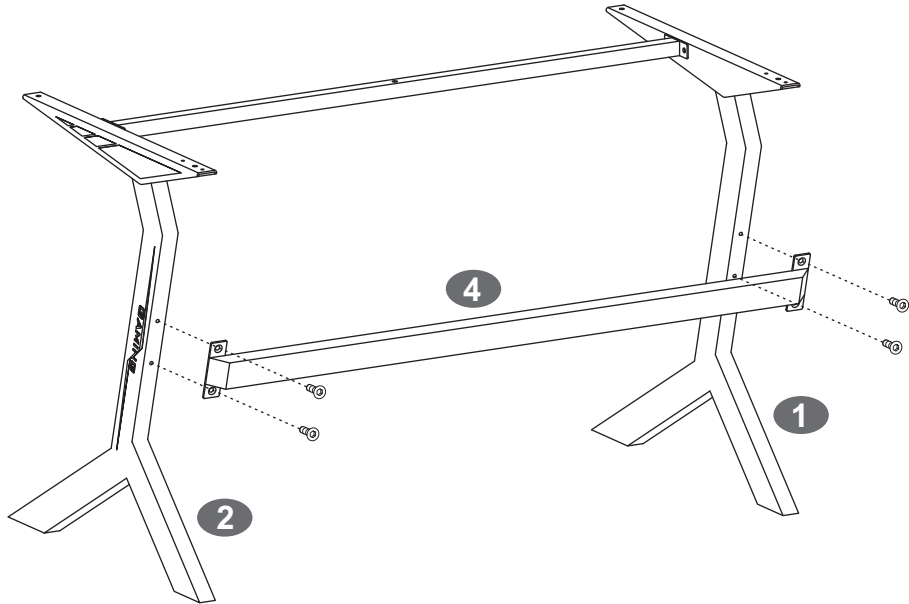
(This view is from the back side)

STEP 3

Hardware/tools:

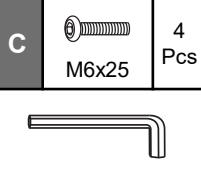


Using screws **B**, assemble the back structure **4** to the leg structures left **1** and right **2** as shown.

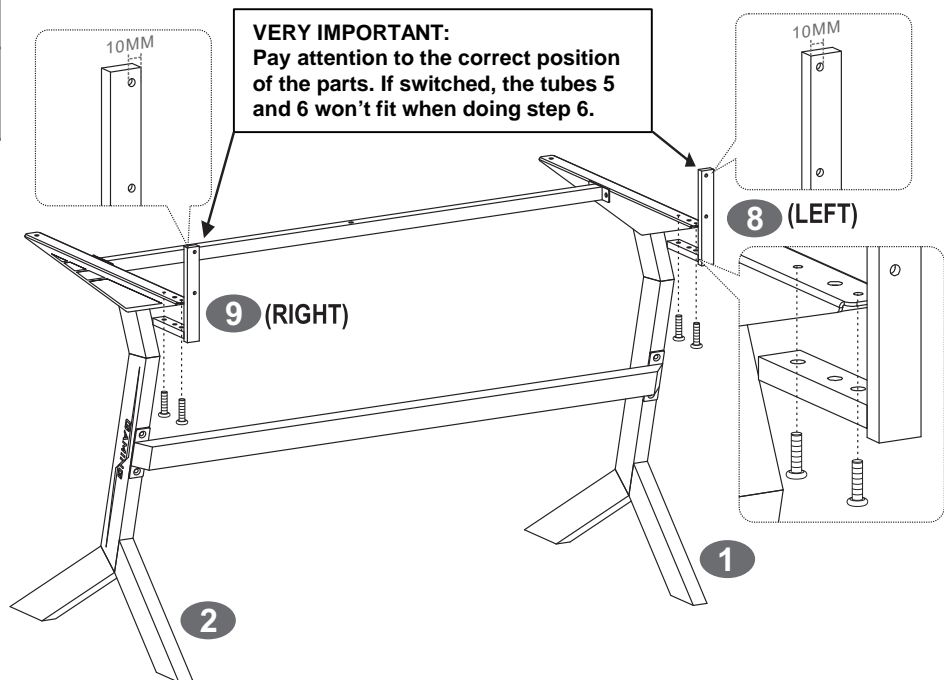


STEP 4

Hardware/tools:


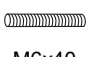


Using screws **C**, assemble the LEFT "L" structure **8** to the LEFT structure **1**, and the RIGHT "L" structure **9** to the RIGHT structure **2** as shown.



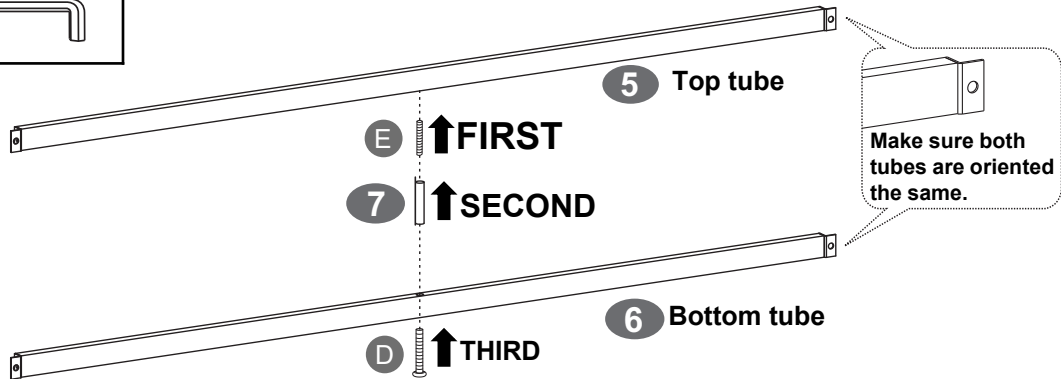
STEP 5

Hardware/tools:

D		1 Pc
E		1 Pc



With the parts oriented as shown, first insert the screw **E** in the center hole of the top support tube **5**. Then insert the connector tube **7** to the screw **E**. Finally, insert one screw **D** through the center hole of the bottom support tube **6** and screw it into the tube **7** as shown. **DO NOT TIGHTEN THE SCREW YET TO ALLOW FLEXIBILITY FOR THE NEXT STEP.**



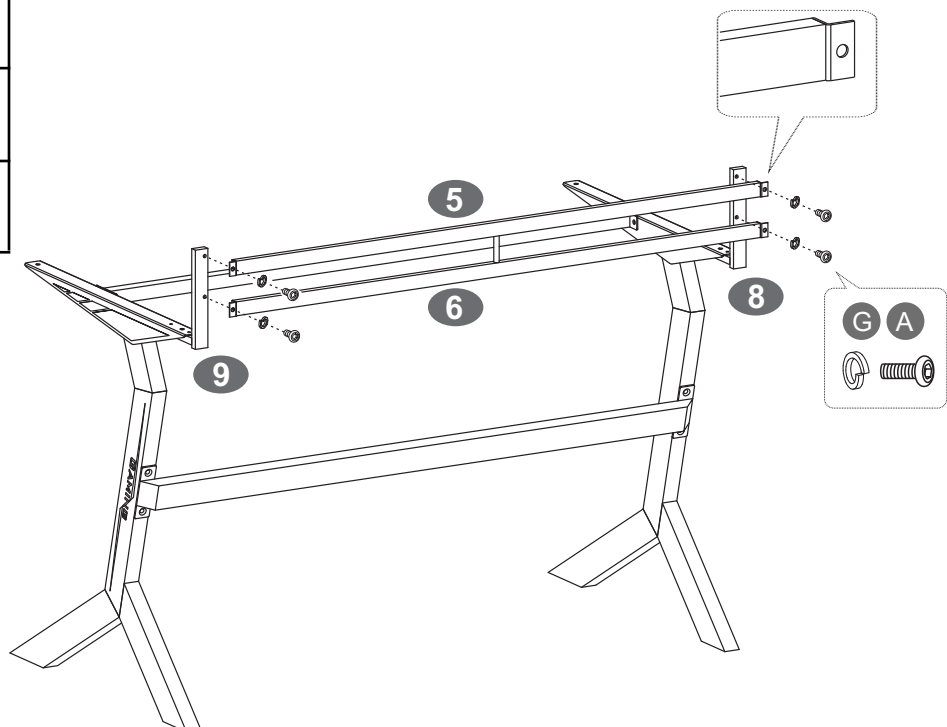
STEP 6

Hardware/tools:

A		4 Pcs
G		4 Pcs






With the help of another person, assemble the structures **5** and **6** to the structures in "L" **8** and **9** using screws **A** and O-rings **G** as shown. **If the holes don't align, review steps 4 and 5 for assembly errors.** You can now proceed to tighten the screw **D** from the previous step.



STEP 7

Hardware/tools:

A		2 Pcs
C		2 Pcs
D		1 Pc

Pay attention to the correct screws that will need to be used. To avoid misalignments, first place all the screws loosely.

Working with the frame facing towards the front, and with the help of another person, place the main panel **12** over it making the holes coincide. Then screw loosely using the following screws:

A: For the **front** holes.

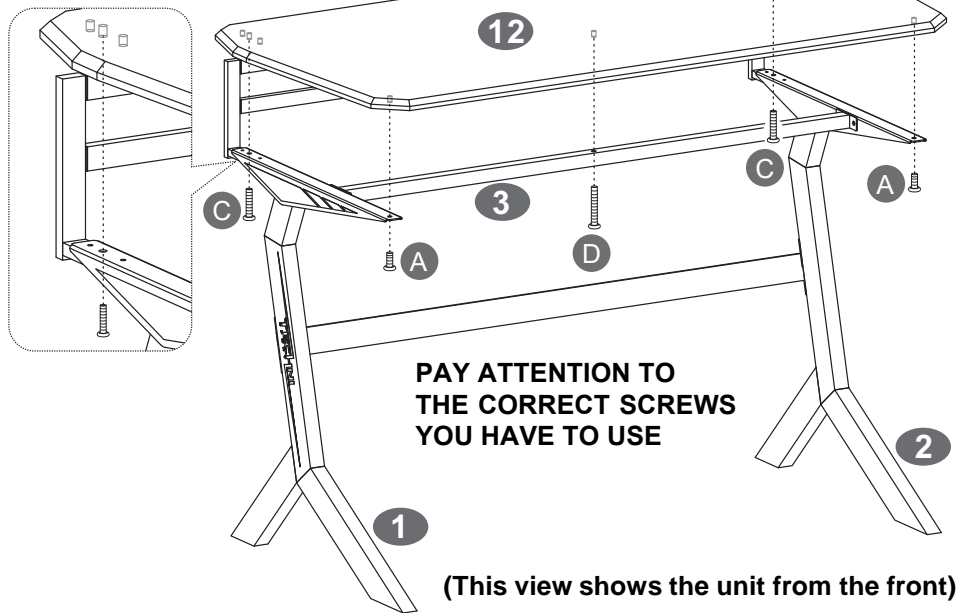
C: For the **back** holes.

D: For the **center** hole.

Once all the screws are in place, proceed to tighten them.



(The wider side goes at the back)



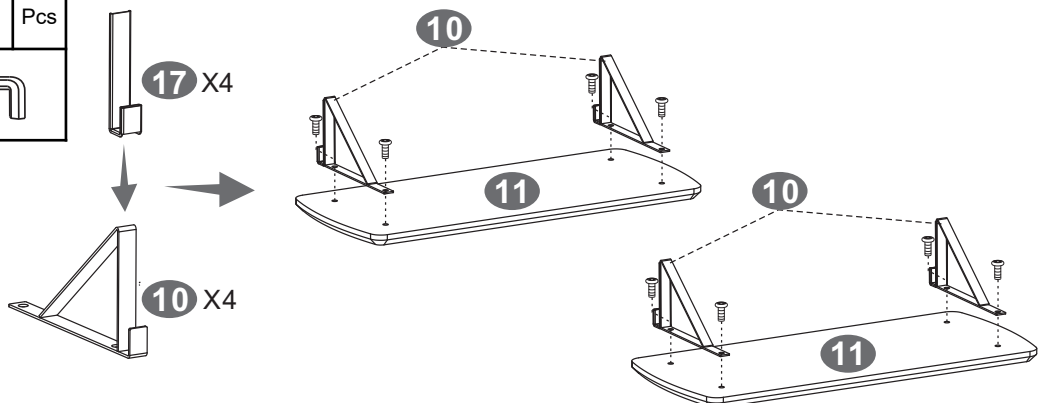
STEP 8

Hardware/tools:

A		8 Pcs
----------	---	-------

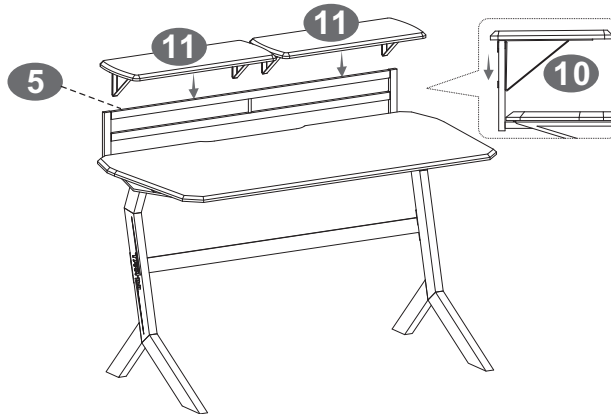


Place the support hooks **17** into the monitor structures **10**, then assemble the monitor structures **10** to the monitor panels **11** using screws **A** as shown.



STEP 9

Place the monitor shelves making sure the hooks secure on the top support tube **5** as shown.



STEP 10

Hardware/tools:

F



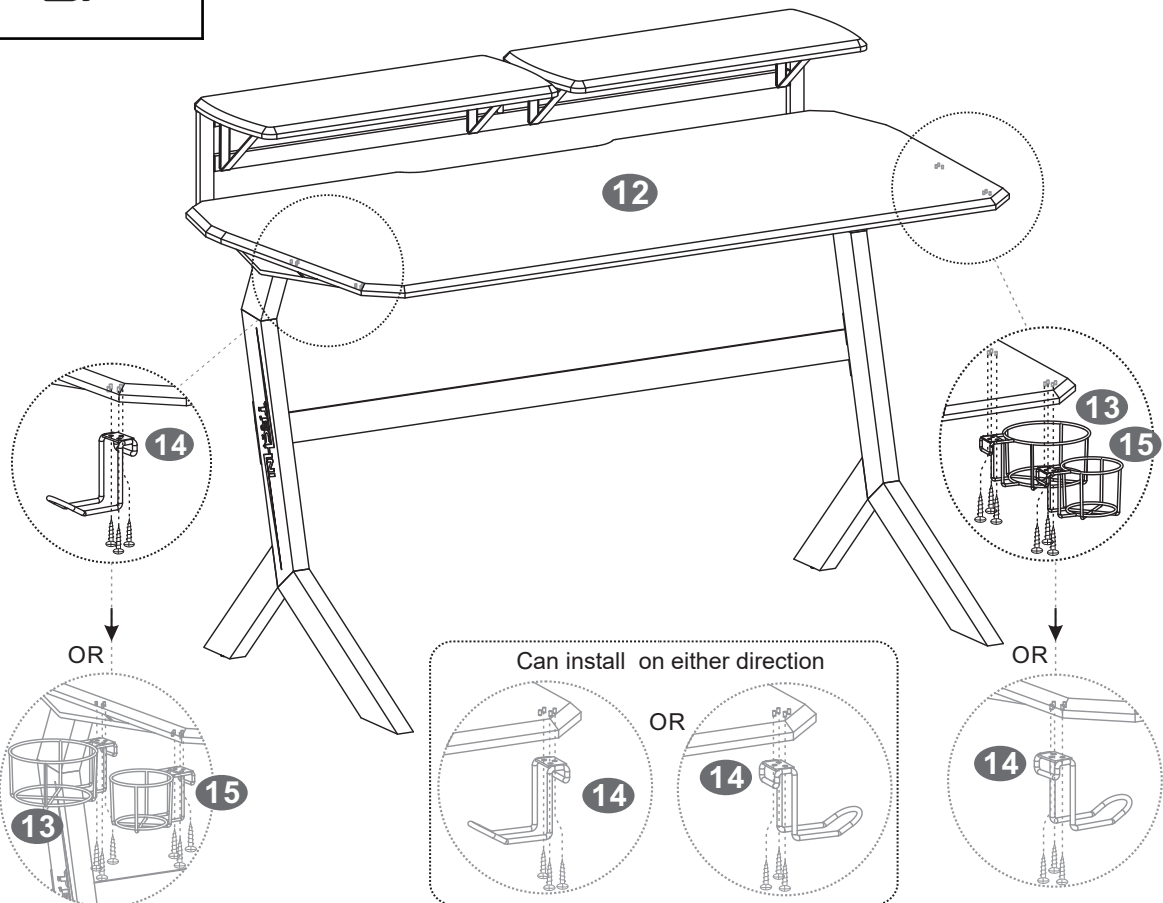
ST4x14

9
Pcs



Using screws **F**, assemble on either side and from underneath the main panel **12**, the large cup holder **13**, the small cup holder **15**, and the headset hanger **14**. You can install the headset hanger **14** facing either way inward or outwards.

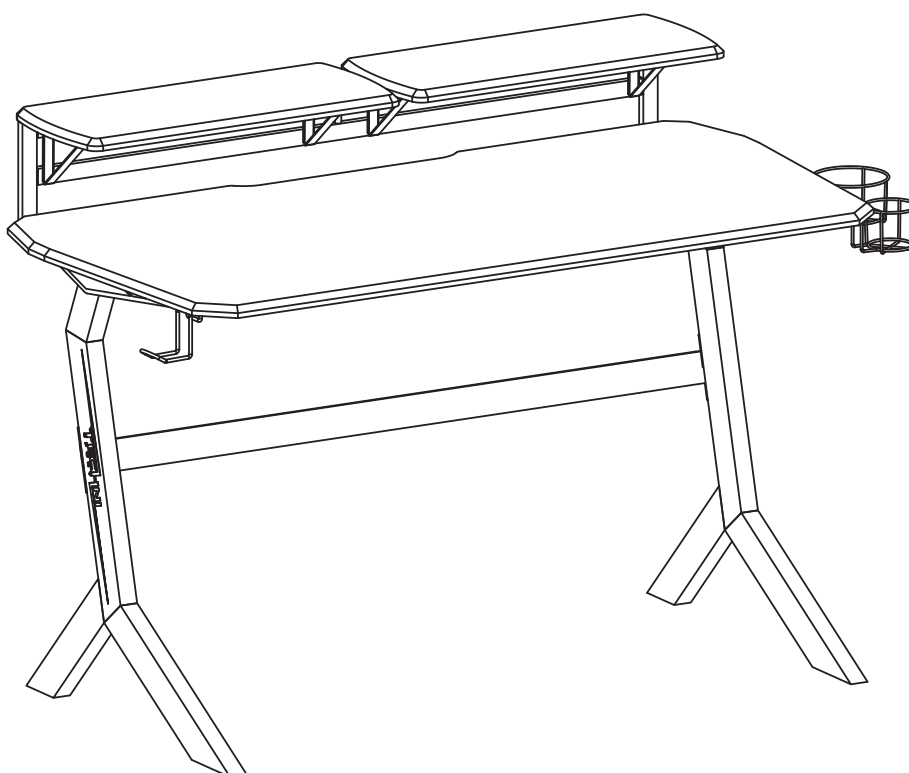
You can install the accessory items any way you like on either side of the unit, but there will always be at least one set of empty holes.





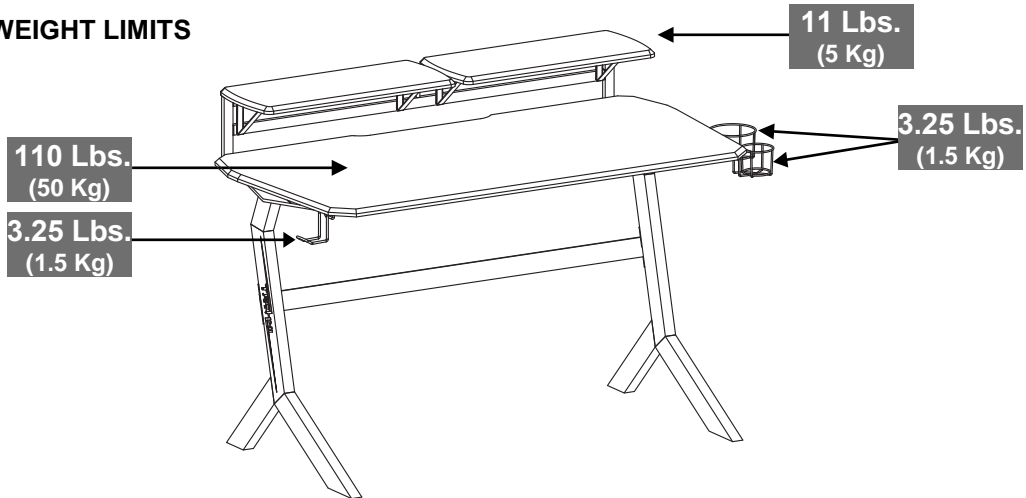
ALL DONE!

Give yourself a nice pat on the back. You did a great job!



AFTER THE ASSEMBLY IS DONE, PLEASE READ CAREFULLY THE FOLLOWING CARE AND MAINTENANCE WARNINGS:

WEIGHT LIMITS



- Do not exceed the indicated weight limits.
- Do not expose the surfaces to direct sunlight or to extreme environmental conditions.
- Clean the surfaces preferable with a clean cloth damped in a solution of mild soap and water, then dry with a clean towel.
- Do not use solvents or abrasive materials to clean the unit.
- If you decide to use a cleaning agent, test first on an area hidden from view such as underneath the tabletop.
- Do not sit on the unit or lean against it.
- Do not allow small children to play under or over the unit.
- Do not pull, push or drag the unit to move it for more than 1 feet. The unit must be lifted by at least 2 persons when moving in the same or adjacent rooms.
- Before moving the unit, make sure to secure or remove any object that is heavy or might fall off.
- When lifting the unit, use both hands and bend your knees, not your backs.
- When transporting the unit to places far away, protect and secure the unit to avoid damage in transit.
- Shall any part of the unit become defective during the warranty period, replacement parts might be available to you at no charge. Please refer to the last pages on this manual.
- The warranty does not extend to regular wear and tear, nor the manufacturer assumes liability for damages or consequences due to accidents, incorrect assembly, negligence, improper use, modifications, or not heeding the above warnings.

TECHNI SPORT WARRANTY
Gaming Chair: 2-YEAR WARRANTY
Gaming Desk: 5-YEAR WARRANTY
Gaming Chair Metal Frame: LIFETIME WARRANTY

RTA Products, LLC has warranted the Techni Sport products to the original purchaser who acquired a new product from RTA Products or its authorized re-sellers of the product against defects in material or workmanship.

This warranty is expressly limited to the repair or replacement (at its option) of defective product components or materials as a result of a defect in materials or workmanship. This warranty is limited to merchandise purchased in the Continental United States. No assembly labor is included. The word "defects" as used in this warranty, is defined as imperfections that impair the utility of the product.

This warranty applies under conditions of normal use, but does not apply to defects that result from intentional damage, wear & tear, negligence, unreasonable use or exposure.

Liability for consequential damages is excluded to the extent exclusion is permitted by law. This warranty gives you specific legal rights, and you may have other rights that vary from State to State.

RTA Products does not warrant: a) natural variations in character marks b) changes in surface finishes due to aging or exposure to light c) marks, scars, or wrinkles occurring naturally in leather d) failure resulting from normal wear and tear e) the matching of colors, grains, or textures of natural materials f) the colorfastness or the matching of textiles, including an exact match to cuttings or to swatch cards g) damage, marking, or staining of veneer surfaces due to contact with rubber or similar compounds, damage from sharp objects or imprinting from writing instruments, or prolonged exposure to direct sunlight h) we do not warrant products that are exposed to extreme environmental conditions or that have been subject to improper storage.

RTA Products shall not be liable for loss of time, inconvenience, commercial loss, or incidental or consequential damages.

Any modification to the original product voids the warranty. We do not warrant the performance of the product when used in combination with other than original products.

This product has been designed for and is intended for office, home-office and gaming use only. This warranty is Original Purchaser's sole remedy for product defects, and this warranty does not extend to any product, or damage to any product, caused by or attributed to abuse or misuse, products used for commercial or rental purposes, use modifications of, or attachments to the product, and products or parts not used, maintained, or extended here under is in lieu of any and all other warranties, express or implied, including without limitations any implied warranty or merchant ability or of fitness for a particular purpose.

Report any defects to RTA Products, LLC together with your sales receipt or other proof of purchase. If the chair is defective within the terms of the warranty, RTA Products, LLC will furnish a replacement chair (at its option) at no cost of equal or similar value and design.

RTA Products will advise you of the procedure to follow in making warranty claims. The following are the procedures for warranty claims:

a) Call us Monday – Friday, from 9am-5pm (Eastern Time) at (866) 782-5520 to explain the defect and give your name, address and phone number. Please have ready the model number of our product, date and place of purchase. You can also write to us by e-mail to warranty@rtaproducts.com and include the same information.

b) If we determine that replacement will remedy the situation, and in order to determine the extent or the cause of the defect, purchaser will need to send the part in question at purchaser's expense. Once we receive the part, we will examine it and determine whether the claim is valid (or not), and then proceed to send the replacement. We will ship the replacement at our expense.

FOR SEVERAL HELP OPTIONS INCLUDING REPLACEMENT PARTS ORDERS

VISIT: WWW.TECHNISPORTUSA.COM



CLICK ON SUPPORT TAB



Scan QR Code to order replacement parts

OR EMAIL US: SUPPORT@TECHNISPORTUSA.COM