

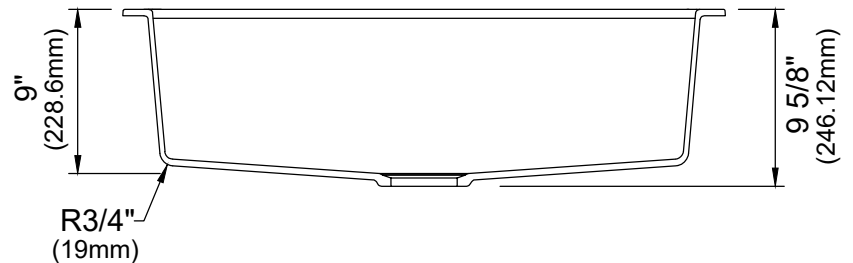
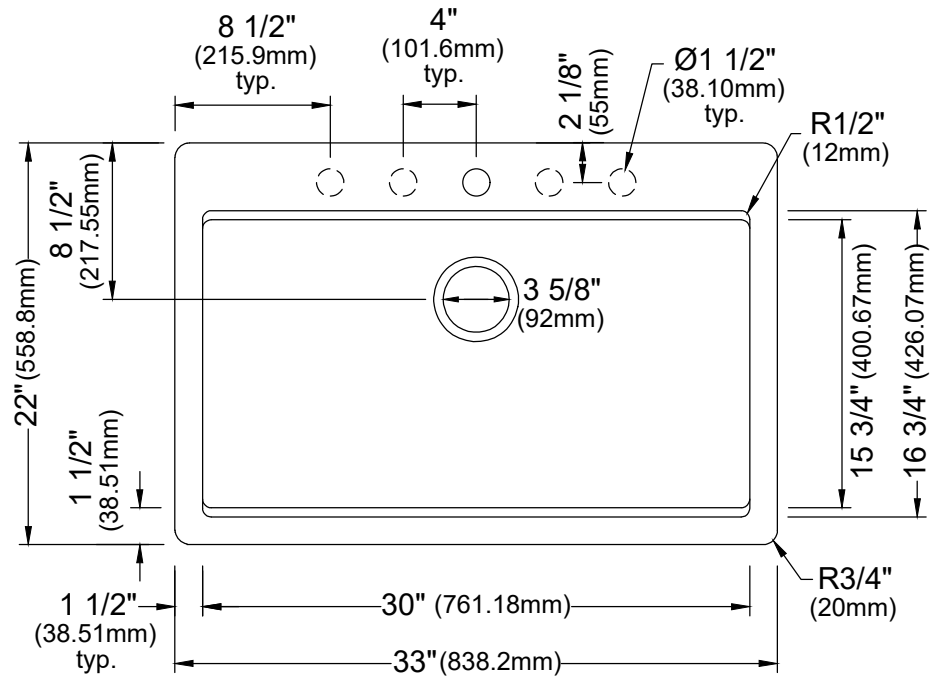
Series	Quartz QT Series
Material	80% quartz / 20% acrylic resin
Installation Type	Top mount / Drop-in
Configuration	Large single bowl workstation
Finish	Matte finish
Overall Dimensions	33" x 22"
Bowl Dimensions	30" x 15 3/4" x 9"
Drain Size	3 5/8"
Colors Available	Bisque, Concrete, White, Black, Grey, Brown
Minimum cabinet size	33"
Template Included	Yes
Clips Included	Yes
Heat Safe	Up to 535°F
Resistant to	Stain, scratch, abrasion, impact
Drain Location	Rear
Accessories Included	Strainer, cutting board, colander, drying rack, grid and Luster Pro oil

Shown in White



MODEL	FINISH
QTWS-875-GR	Grey
QTWS-875-BL	Black
QTWS-875-WH	White
QTWS-875-BR	Brown
QTWS-875-BI	Bisque
QTWS-875-CN	Concrete

Stocked Color Options



Listing and certifications:
cUPC

Limited lifetime warranty

- = pre-drilled faucet / drain hole
- ◌ = semi-drilled knock-out location(s)

We reserve the right to update product specifications without notice. Please visit karran.com for the most current specification sheets. All dimensions are accurate to 1/4". REV 08-2024