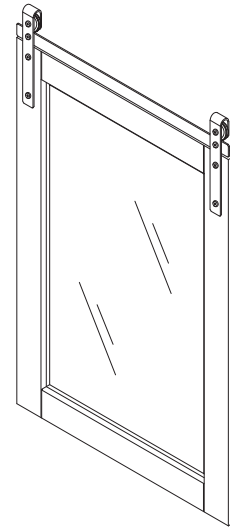


1. Do not touch the mirror with wet hands or wipe the mirror with a damp cloth to avoid increasing the moisture pouring in;
2. Keep the mirror away from salt, grease and acid, which can corrode the mirror;
3. The mirror should be wiped with soft dry cloth or cotton to prevent the mirror from being brushed;
4. Use soft cloth or emery cloth, dip in some kerosene or wax to wipe;
5. Wipe the mirror and picture frame with a rag dipped in milk to make it clear and bright;
6. Before washing bath, soap can be daubed mirror, then wipe with dry cloth, the mirror on the formation of a soap liquid film, can prevent mirror blur;
7. Dip in a dry cloth with proper amount of detergent and smear it on the mirror surface, evenly wipe it off. The active ingredients in the detergent,
8. Astringent toner or detergent can also be used;
9. Use oil absorbent paper to rub.



Recommended Tools/Outils recommandés

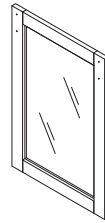
Install parts/Pièces de montage



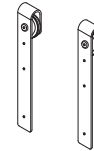
Tape measure Pencil Mechanical Screwdriver Screwdriver Level

Mounting screw/Vis pour montage

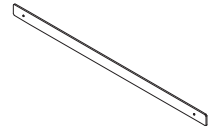
A	M4x25 Hexagon socket screws/ Vis à six pans creux	6 pcs	
B	Wall screw/Vis murale pour accrocher	2 pcs	
*	Allen Wrench/Clé hexagonale interne	1 pcs	



Mirror
miroirs/ 1

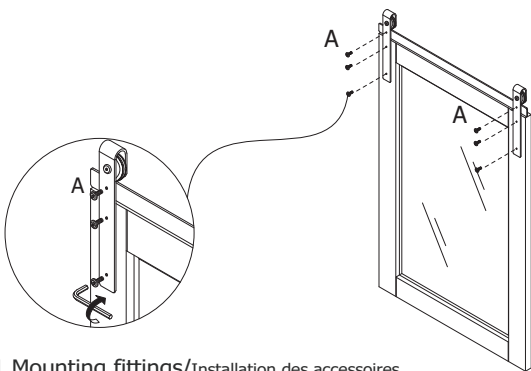


Mirror frame sliding door hook
Mirror frame shift door hooks/ 2

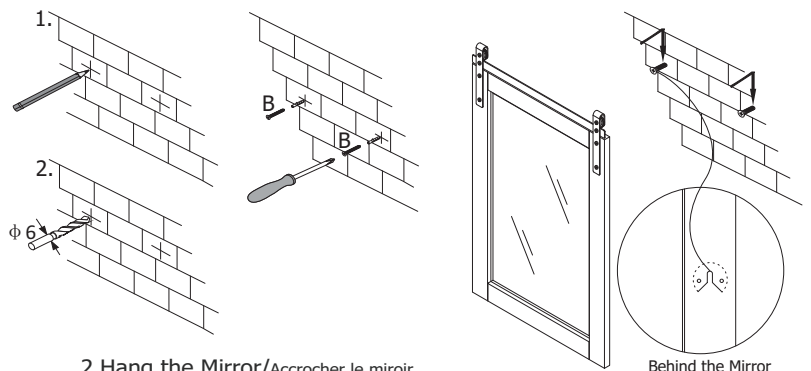


Mirror frame guide
Miroir cadre guide/ 1

Installation steps/Étapes d'installation



1. Mounting fittings/Installation des accessoires



2. Hang the Mirror/Accrocher le miroir

Parameters That/Paramètres qui

