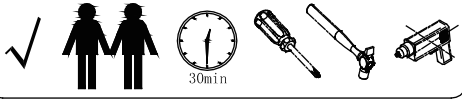
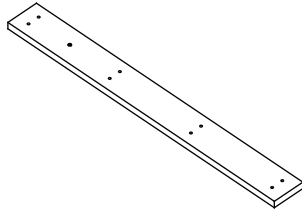


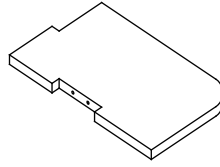
Assembly Instructions



Components

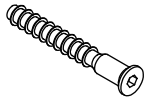


A*2



B*4

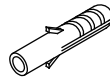
Hardware



a*16



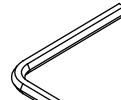
b*2



c*2



d*2

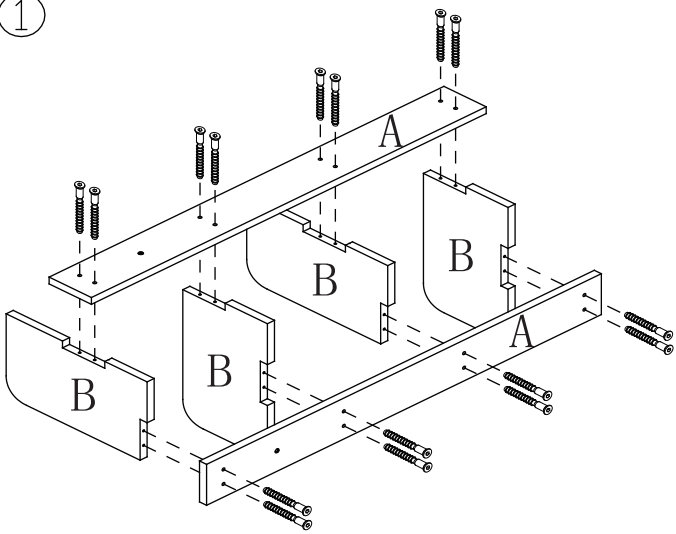


e*1

Weight Capacity

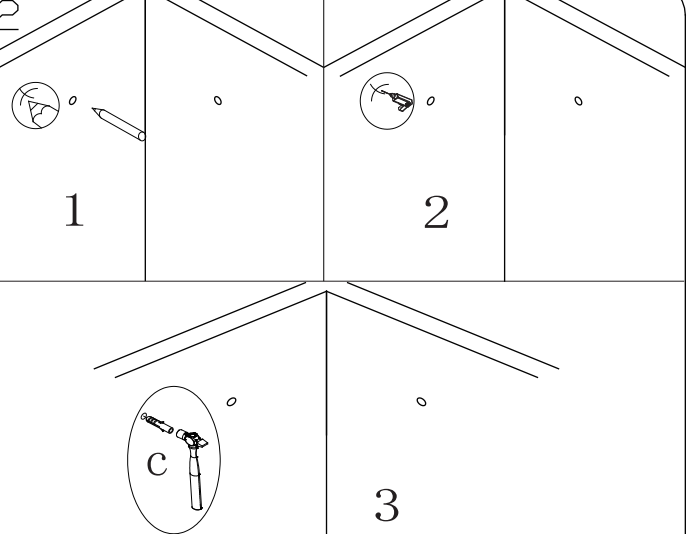
10 KGS

①

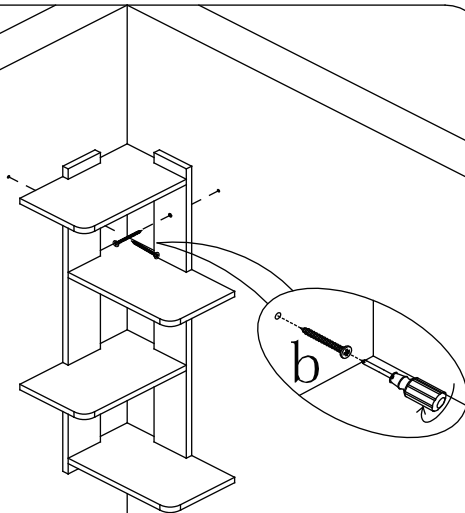


a*16

2

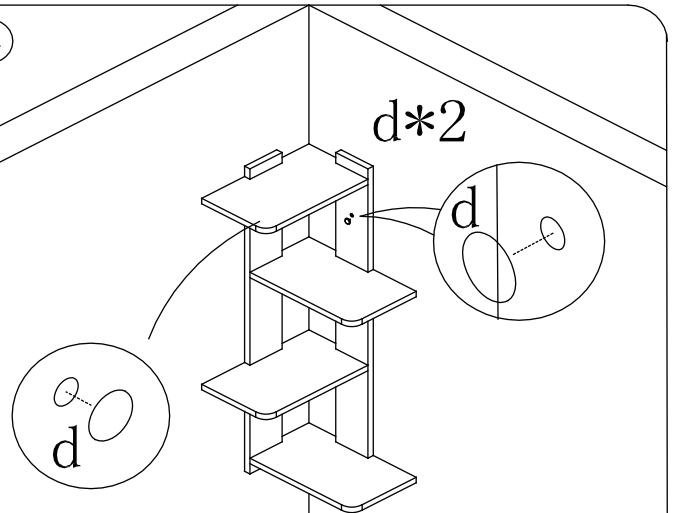


③



b*2

④



d*2

d