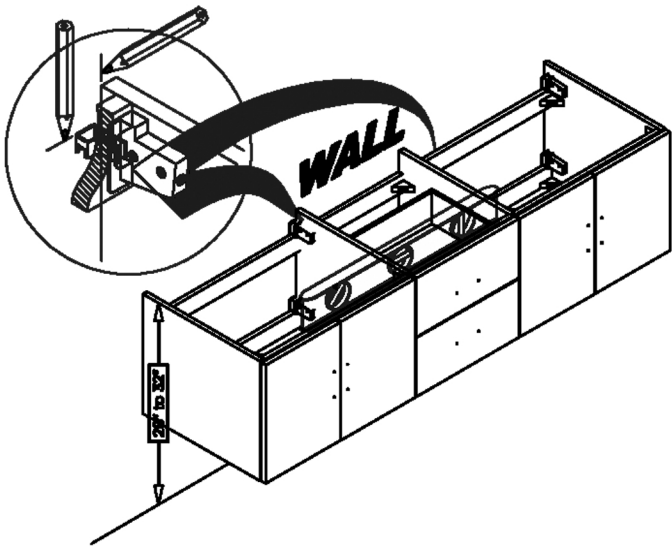
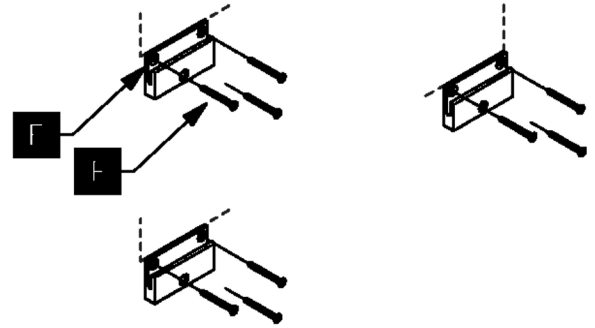
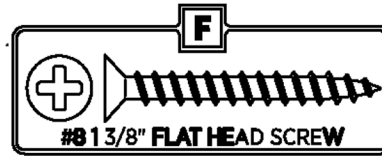


- 1** Place cabinet (D) in the designated location and mark bracket position on the wall.

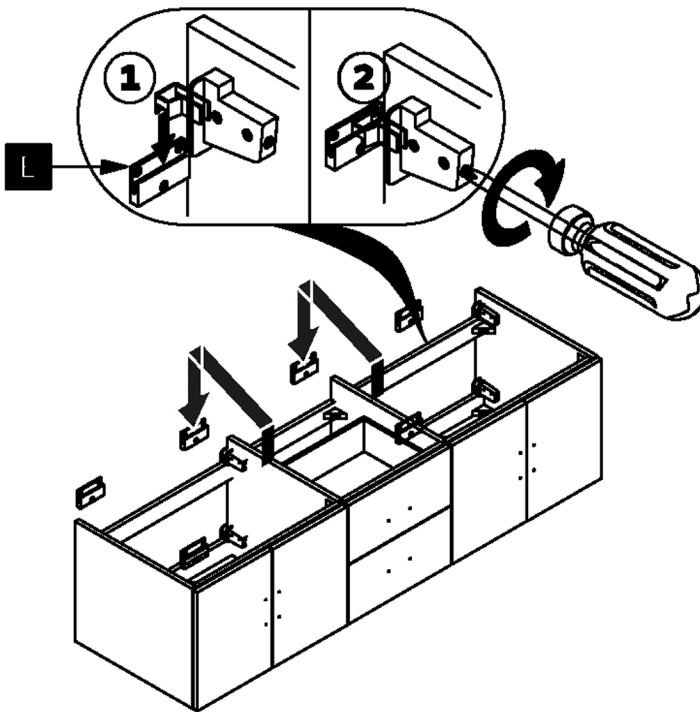


- 2** Attach the wall brackets (E) to the wall with the screws (F).

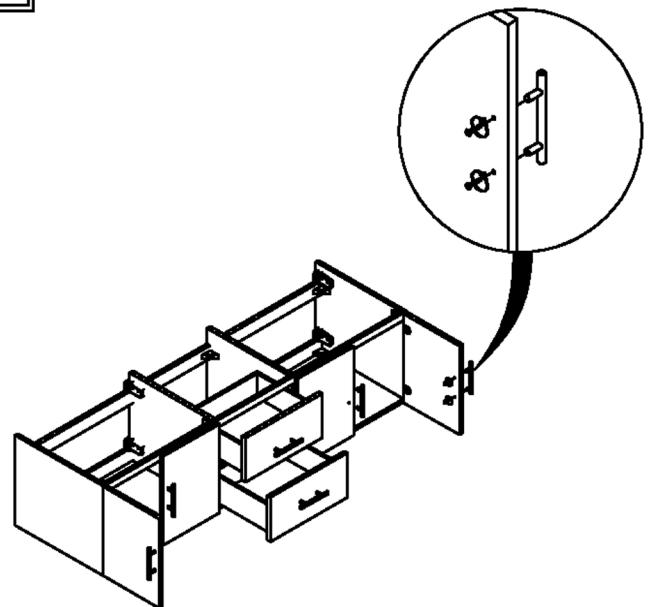


IMPORTANT: Consult an expert for the proper screws/bolts to use when attaching to various constructions. Screws provided do not attach to all wall construction types. Anchors are not required if brackets are installed in stud.

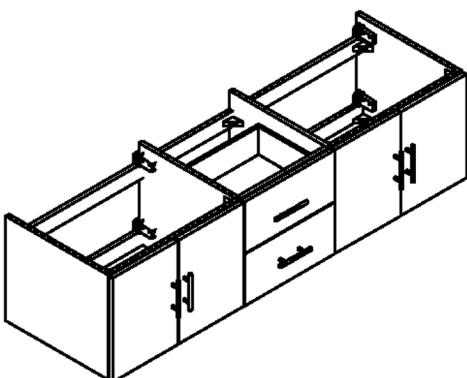
- 3** Apply a bit of silicone and hang the cabinet (D) on the brackets.



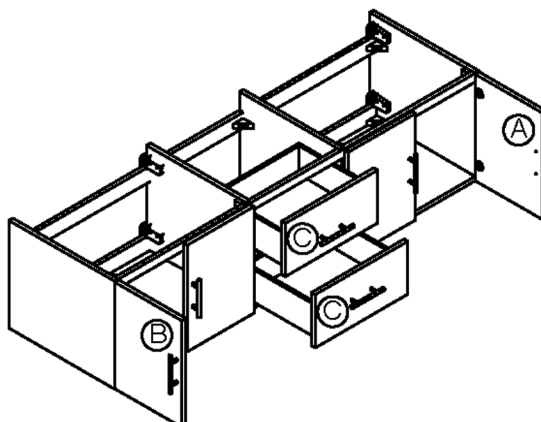
- 4** Attach the handles to the cabinet.



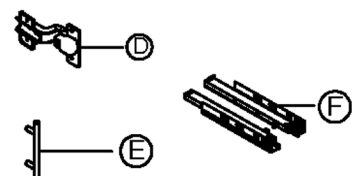
- 5** Assembly is complete



- 6**



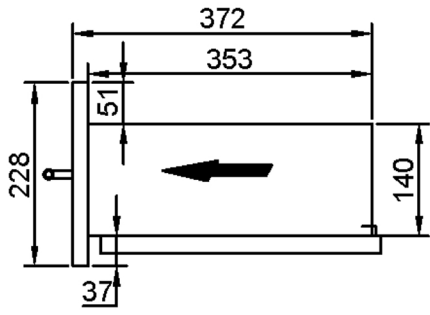
PART #	DESCRIPTION	QUANTITY
A	Door (left)	2
B	Door (right)	2
C	Drawer	2
D	Hinge (door)	8
E	Handle	6
F	Drawer glides	2



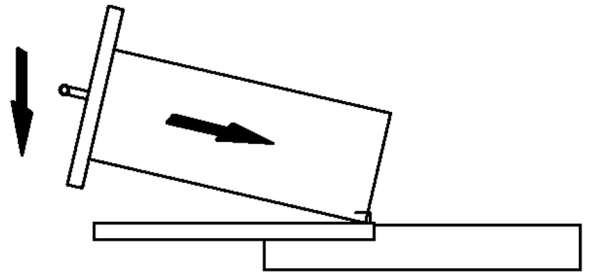
REMOVE

INSTALL

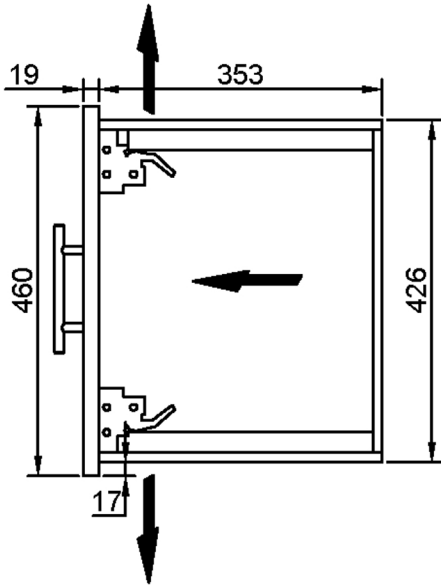
1



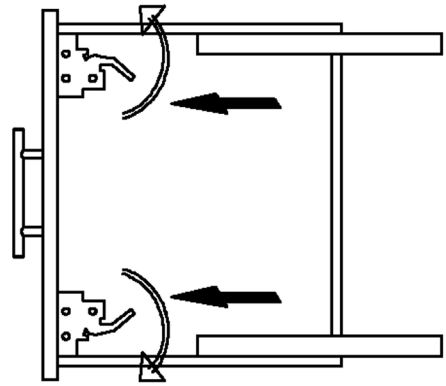
1



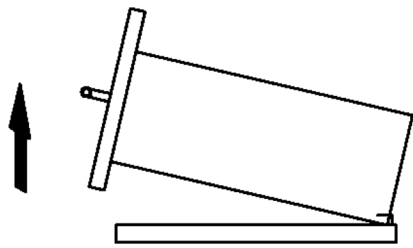
2



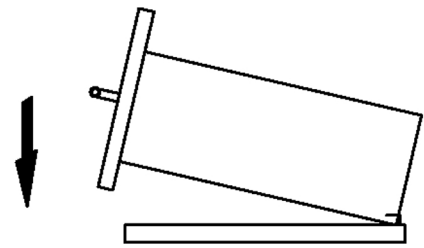
2



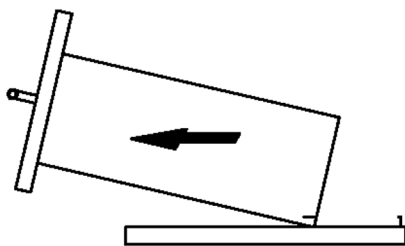
3



3



4



4

