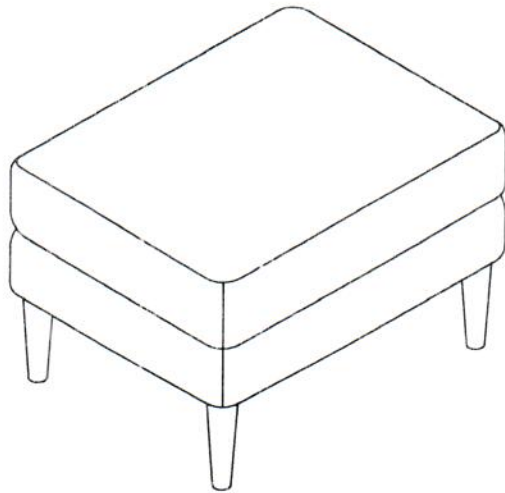


CONVENIENCE CONCEPTS

161364BE MARLOW MC OTTMAN BLUE
161364GY MARLOW MC OTTMAN GARY



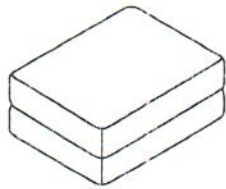
ASSEMBLY INSTRUCTIONS

We have designed our furniture with you, the customer in mind. Our clear, easy to follow, step by step instructions will guide you through the project from start to finish. Feel confident that this will be a fun and rewarding project. The final product will be a quality piece of furniture that will go together smoothly and give years of enjoyment.



Please do not return to the store
Broken or missing parts?
Need help with assembly?
If you have any question just call 1-800-466-6447 or email us at
parts@convenience-concepts.com

A. Ottoman

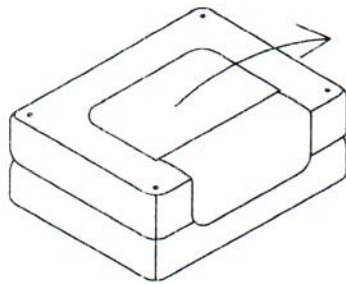


1PC

B. Leg



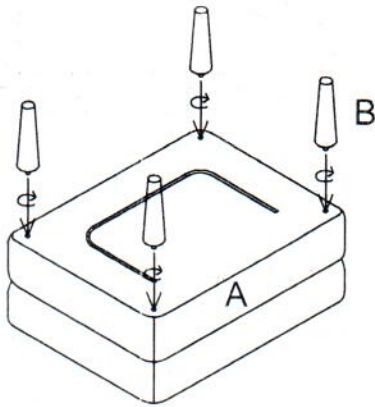
4PCS



STEP 1:
Open the bottom and remove the feet from
inside the ottoman.



STEP 2:
Turn over the product, attach the 4 feet to the bottom
of the ottoman, and by gently screwing them
in a clockwise direction.



STEP 3:
Stand the unit upright.

