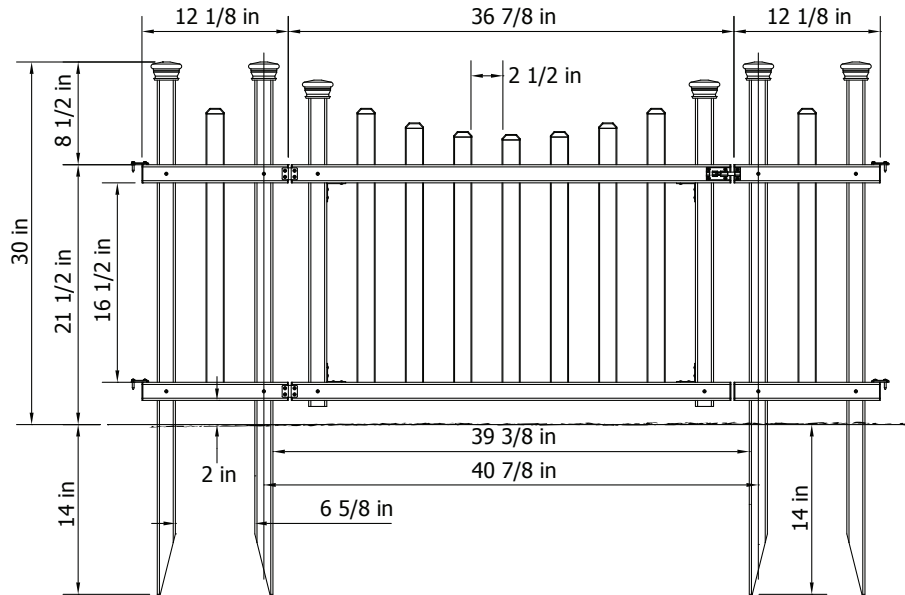
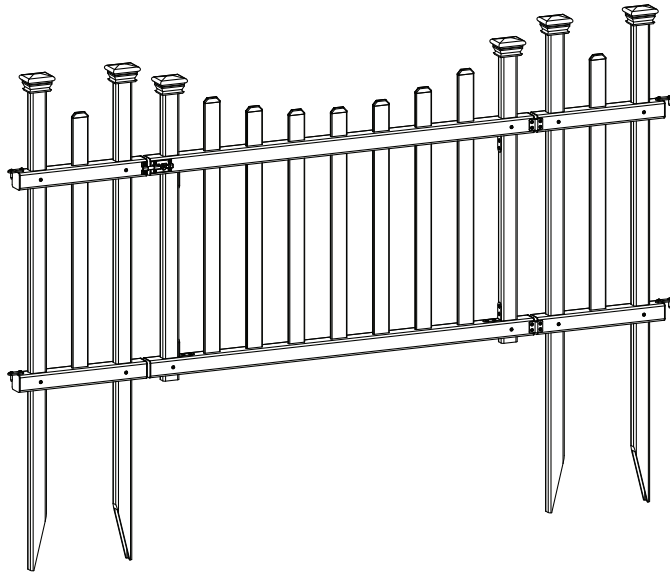


ASSEMBLY INSTRUCTIONS



ZIPPITY
Easy Does It!

Madison Vinyl Gate Kit w/ Fence Wings (Unassembled) 62" Wide x 30" Tall



This Gate is designed to be integrated with our 30" High Madison Picket Fence

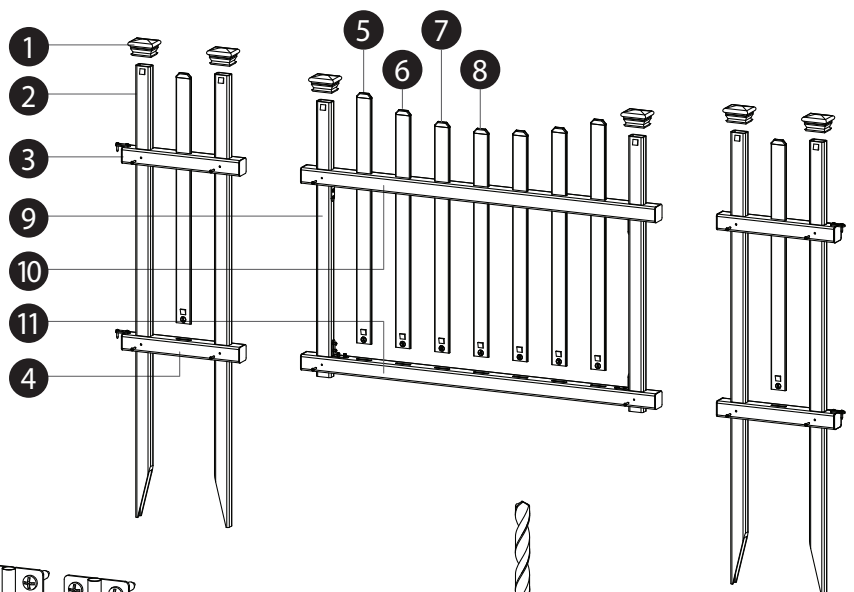
Please read through before starting assembly.

IMPORTANT: CHECK THE INSIDE OF THE LARGER PIECES IN YOUR BOX FOR OTHER MATERIALS PACKED INSIDE.

Check Box for These Contents

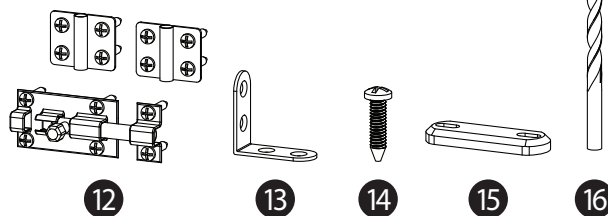
In the event of missing or defective parts please call our customer service department at **1 877 778 5733** (Mon. to Fri. 8:00 AM to 4:00 PM EST).

1. Post Caps (6)
2. Posts (4) - 7/8" x 1 1/2" x 43 1/2"
3. Horizontal Rails - Top (2) - 1 1/2" x 1 1/2" x 12"
4. Horizontal Rails - Bottom (2) - 1 1/2" x 1 1/2" x 12"
5. Picket 1 (4) - 1/4" x 1 1/2" x 24 1/8"
6. Picket 2 (2) - 1/4" x 1 1/2" x 22 7/8"
7. Picket 3 (2) - 1/4" x 1 1/2" x 22 1/8"
8. Picket 4 (1) - 1/4" x 1 1/2" x 21 7/8"
9. Gate Posts (2) - 7/8" x 1 1/2" x 26 1/2"
10. Gate Top Rail (1) - 1 1/2" x 1 1/2" x 36 3/8"
11. Gate Bottom Rail (1) - 1 1/2" x 1 1/2" x 36 3/8"
12. Gate Hardware Kit with Fasteners (1)
13. Corner Brackets (4)
14. 3/4 in Self-Augering Stainless Steel Screws (47)
15. Zippity Connector Brackets (4)
16. 1/8" Drill Bit (1)



Tools You Will Need

- Cordless Drill
- Level
- Shovel



Not to Scale
Ver 1.4/121617

GENERAL INFORMATION

Madison Vinyl Picket Gate



1 - Read Over Fence Instructions First

Your gate and fence will work better together as an integrated solution if you first take the time to read and understand your fence instructions.

2 - Pre-Assemble the Gate Frame

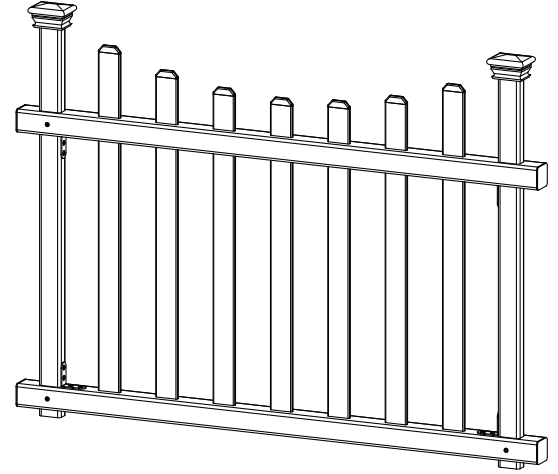
(without pickets)

Please do not screw your gate frame together until you have first temporarily assembled the gate. In other words, do a dry run first.

This will ensure three things:

- That you have everything necessary to complete the gate.*
- That you will have assembled the gate in the correct order.*
- All the pieces fit and function properly.*
- The gate height and width measure similar to drawing on Page 1.*

It's easier to trouble shoot when things are not screwed together.



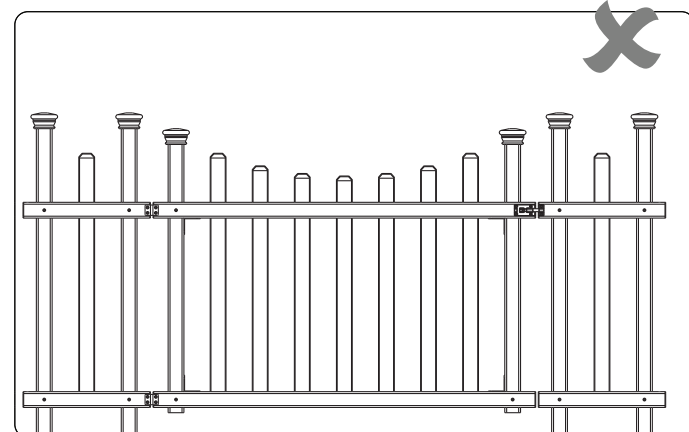
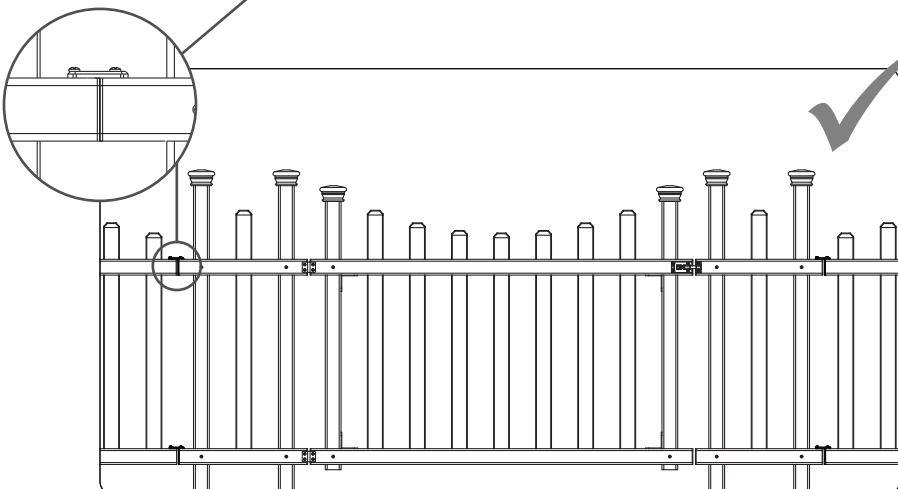
3 - Ideally, Install Your Gate Posts Before Your Fence Posts

Your fence panels will be more forgiving for a custom fit than your gate. Ideally, position and install your gate posts before you do anything else, or very early on in the process of setting up your fence run.

4 - Ideally, Do Not Hang Your Gate System By Itself (With no other fence panels)

Your gate will perform better and last longer if the fence assembly that supports the hinge side of the gate is connected in-line with another fence assembly. See illustration below. The weight strain will be transferred unto two posts versus just one. Installing fence panels on both sides of your gate is the ideal in all situations.

Use Zippity clips to attach the gate to the fence panel posts.



STEP ONE

Assemble the Gate Frame

1

Orientate the posts so the tab is facing up as illustrated. Insert the post down through the top and bottom horizontal rails as illustrated.

Note that the underside of the bottom rail only has two holes as shown.

2

Align the pre-drilled holes in the horizontal rails with the pre-drilled holes in the vertical posts and fasten together with FOUR short screws for the bottom rail and THREE screw for the top rail.

3

Starting with one inside corner, place the corner bracket against the horizontal and vertical posts as shown.

4

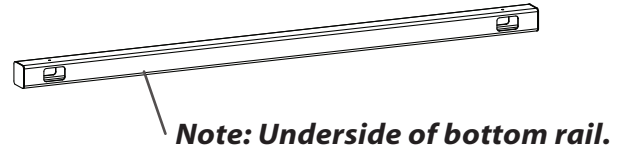
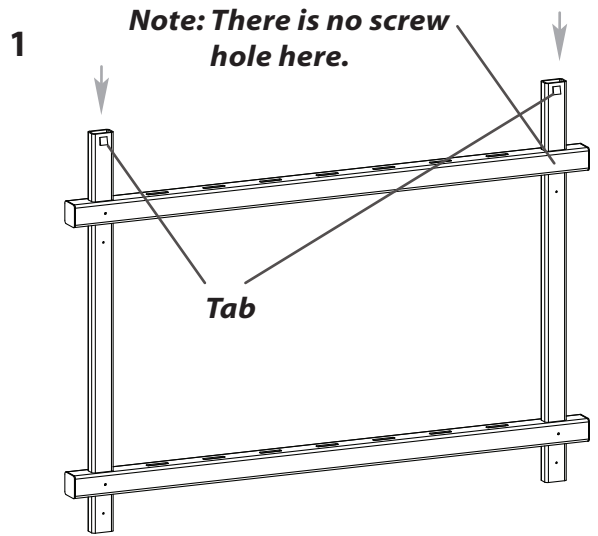
Fasten corner bracket with two short screws into the horizontal rail.

5

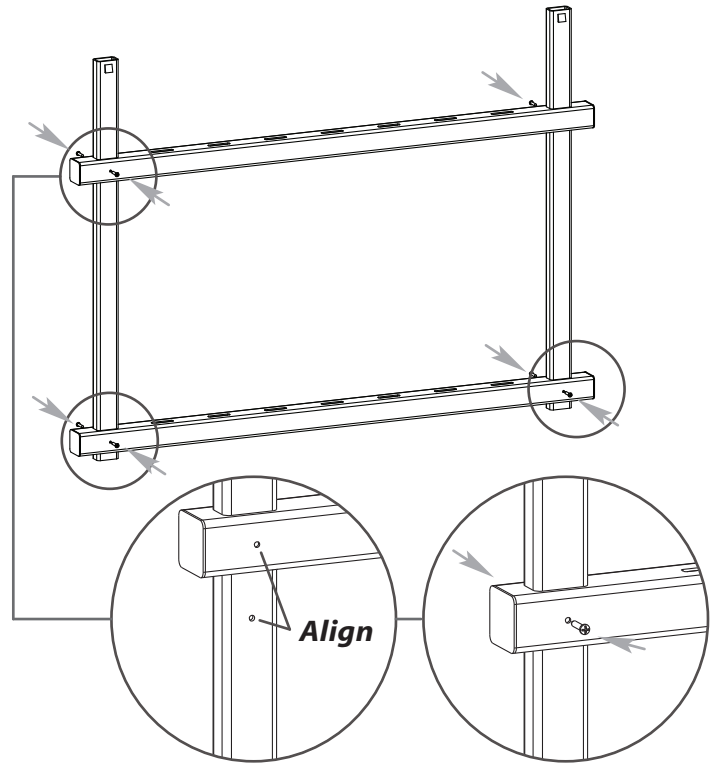
Fasten with two more screws into the vertical posts.

6

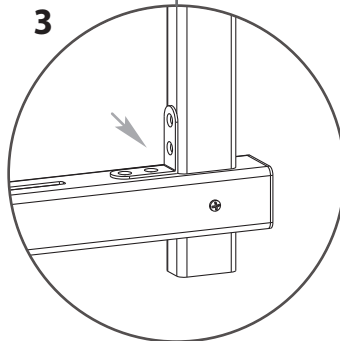
Repeat for all four inside corners.



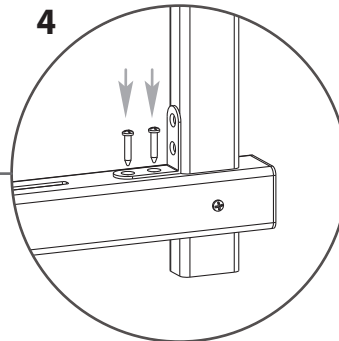
2



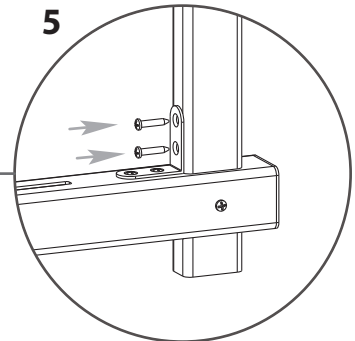
3



4



5



STEP TWO

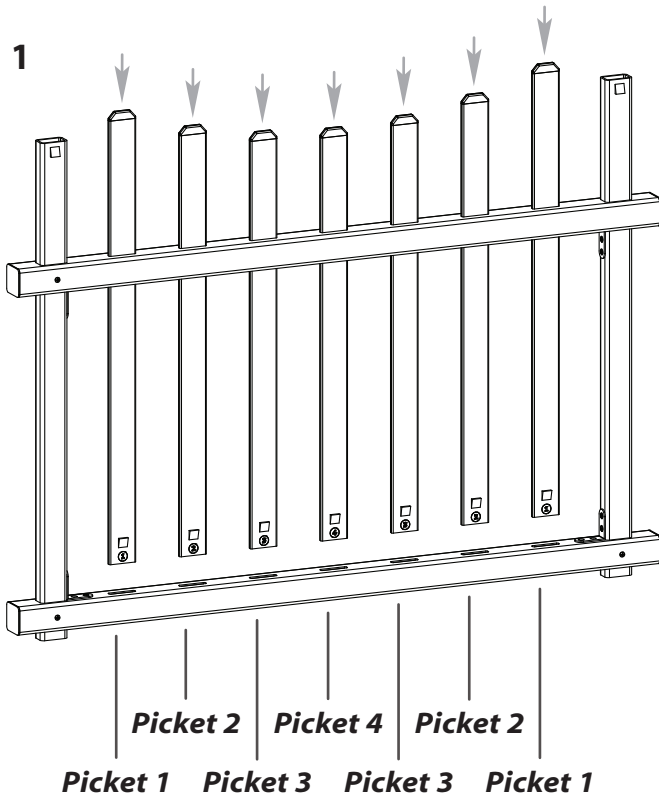
Pickets and Caps Installation

1

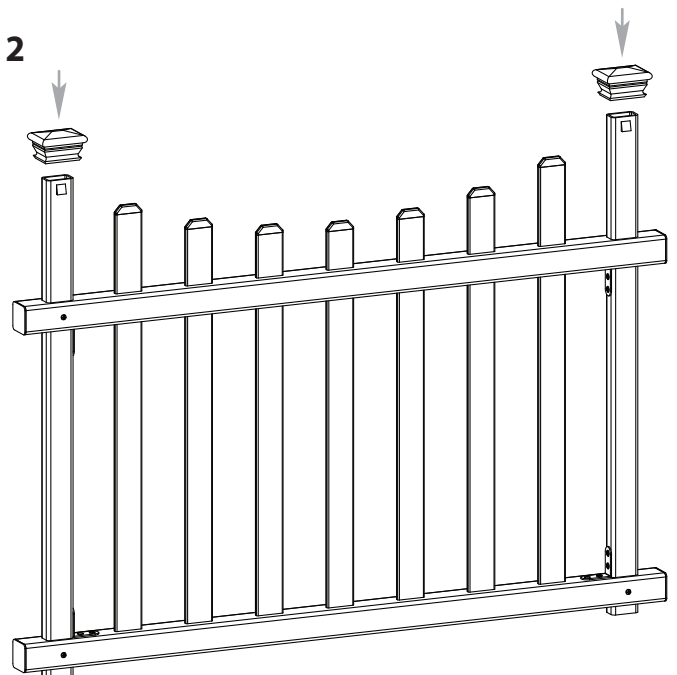
Insert pickets (as numbered in illustration) down through the top rail and into the bottom rail.

2

Pressure fit the two caps down over the posts. The post caps will lock into place.



2



ZIPPITY
Easy Does It!

STEP THREE



ZIPPITY
Easy Does It!

Hinges and Latch Installation

1

Align the hinges on the top and bottom horizontal rails as shown. Note the location of the top rail that has no holes - this is where the latch will be installed in the future.

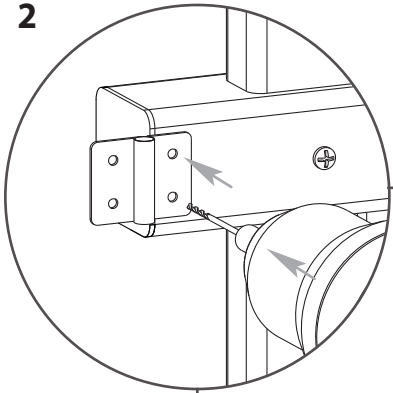
2

Pre-drill two holes on the face of the horizontal rails for each hinge as shown. Holes should be approximately 1/4" from the edge of the rail as shown.

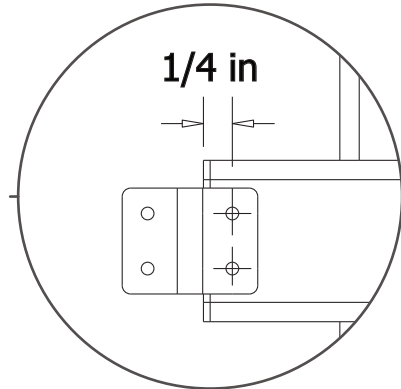
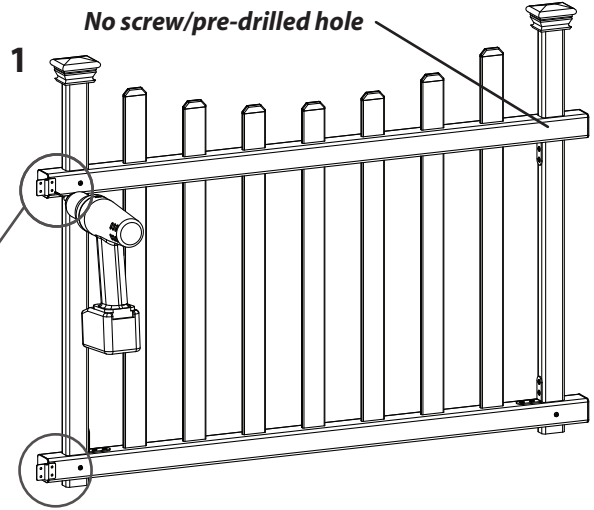
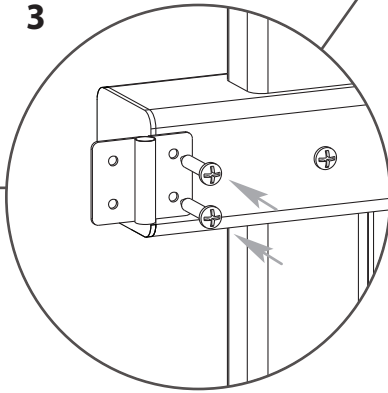
3

Fasten each hinge with two screws.

2



3



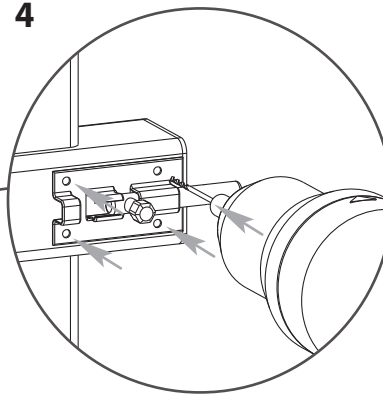
4

Align the finger latch to the top horizontal rail and pre-drill four holes into the rail as shown.

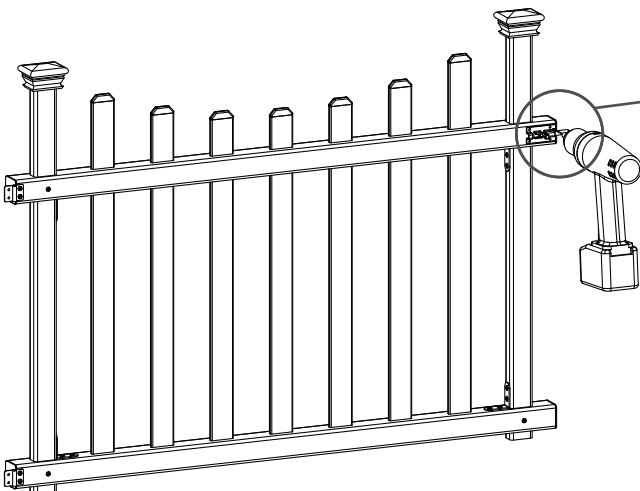
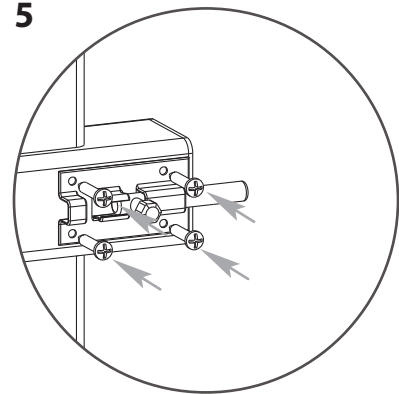
5

Fasten four screws to lock the finger latch in place.

4



5



STEP FOUR

Assemble the Gate Wings

1

Orientate the posts so the tab is facing up as illustrated. Insert the post down through the top and bottom horizontal rails as illustrated.

Note that the underside of the bottom rail only has two holes as shown.

2

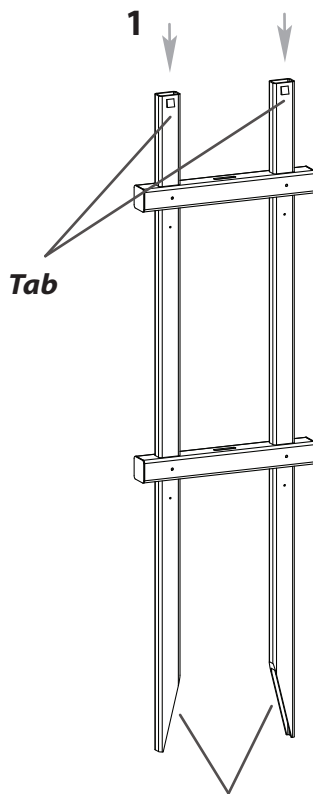
Align the pre-drilled holes in the horizontal rails with the pre-drilled holes in the vertical posts and fasten together with FOUR short screws for the bottom rail and FOUR screws for the top rail.

3

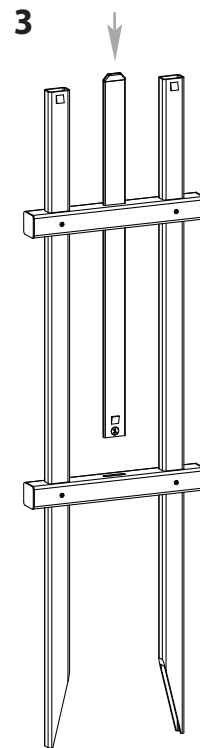
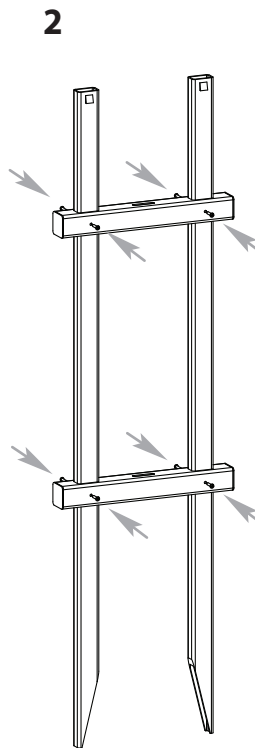
Insert a picket (numbered 1) down through the top rail and into the bottom rail.

4

Repeat for second gate wing.



Note the direction of the spears.



STEP FIVE

Install Gate wings into Ground

1

Move the gate wings to their final location and identify the location of posts. The distance between the posts should be 39 3/8" or 40 7/8" center-to-center

2

Loosen the top 6" to 8" of the ground using a claw hammer and screw driver (or something equivalent) as illustrated.

3

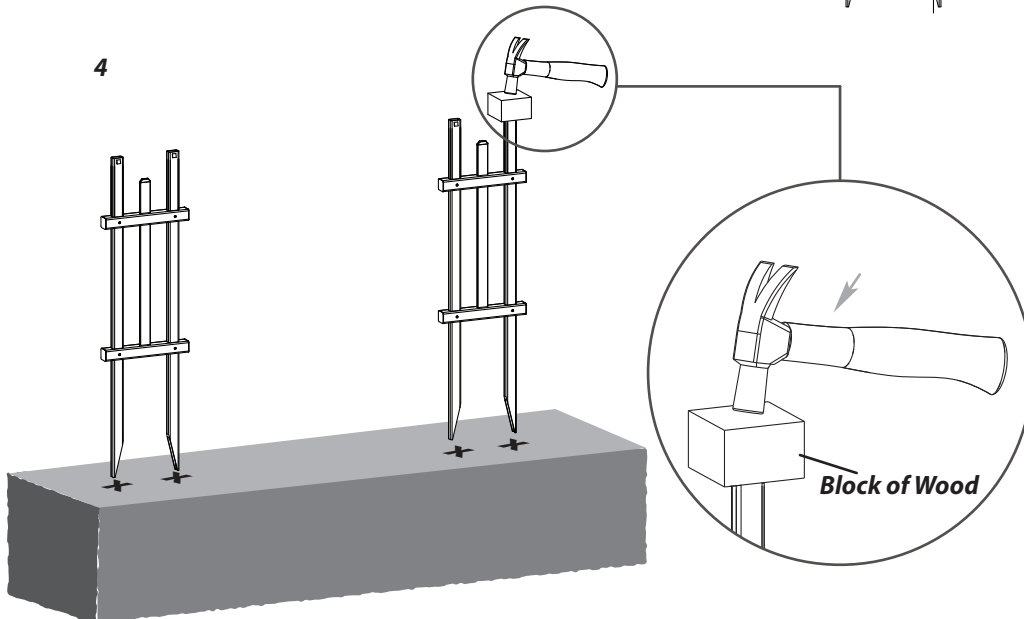
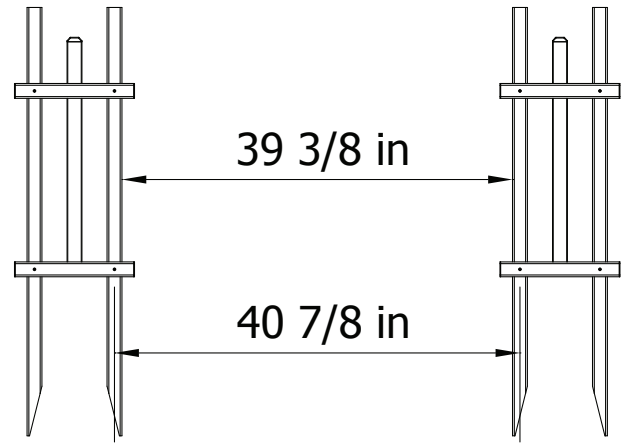
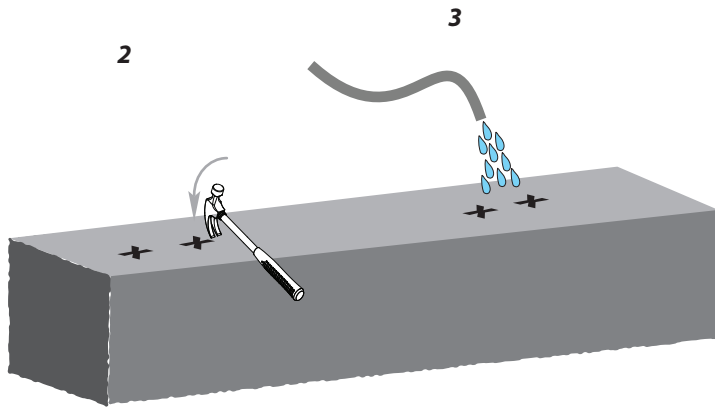
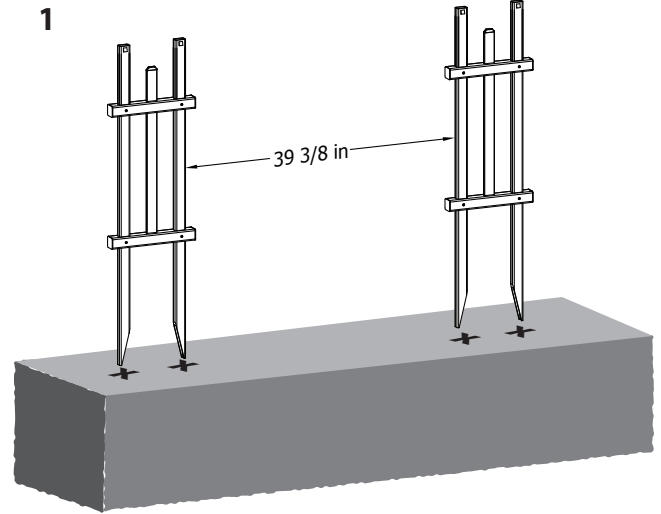
Add water to loosen soil if necessary.

4

Use a block of wood to protect the top of post and gently hammer each post into the ground equally until bottom rails are about 2" above the ground.



ZIPPITY
Easy Does It!



STEP FIVE



ZIPPITY
Easy Does It!

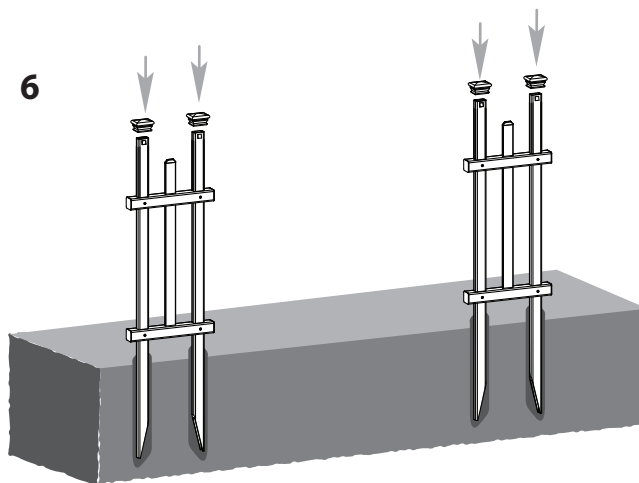
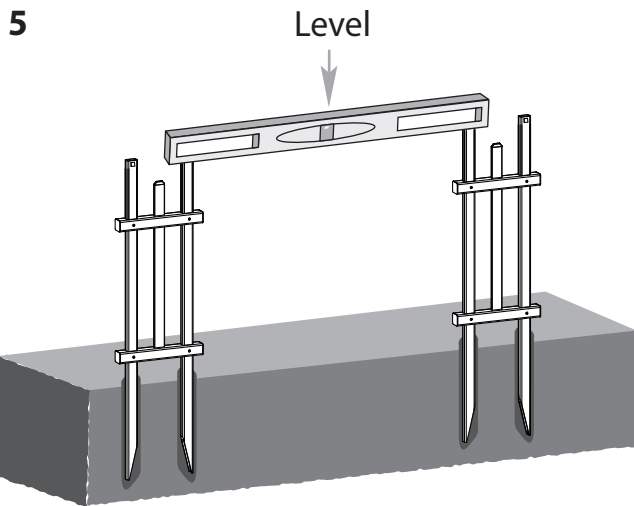
Install Gate wings into ground - continued

5

Level the assembled unit and backfill and compact dirt around the base of each post to strengthen the unit.

6

Finish the assembly by pushing the post caps down over the top of posts as illustrated. The post caps will lock into place.



STEP SIX

Gate Installation

1

Align the gate hinges against the horizontal rails of the gate wing as illustrated.

2

Mark and pre-drill two holes for each hinge.

3

Fasten each hinge with two screws.

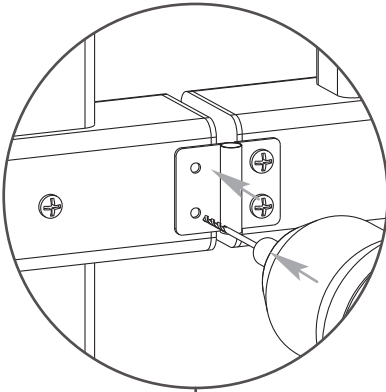
4

Align the catch as shown and pre-drill two more holes into the gate wing horizontal rail.

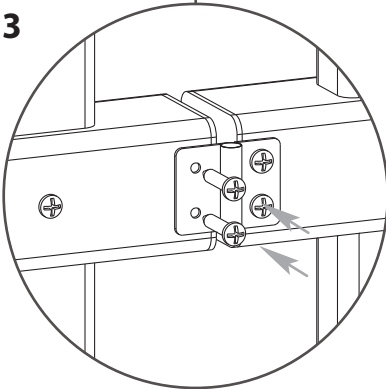
5

Fasten two screws to lock the catch in place.

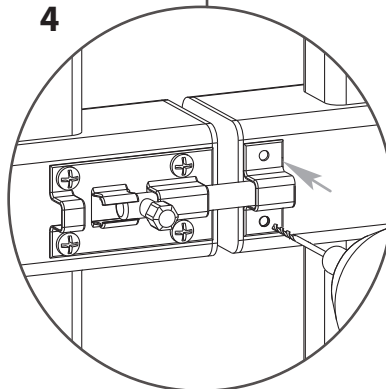
2



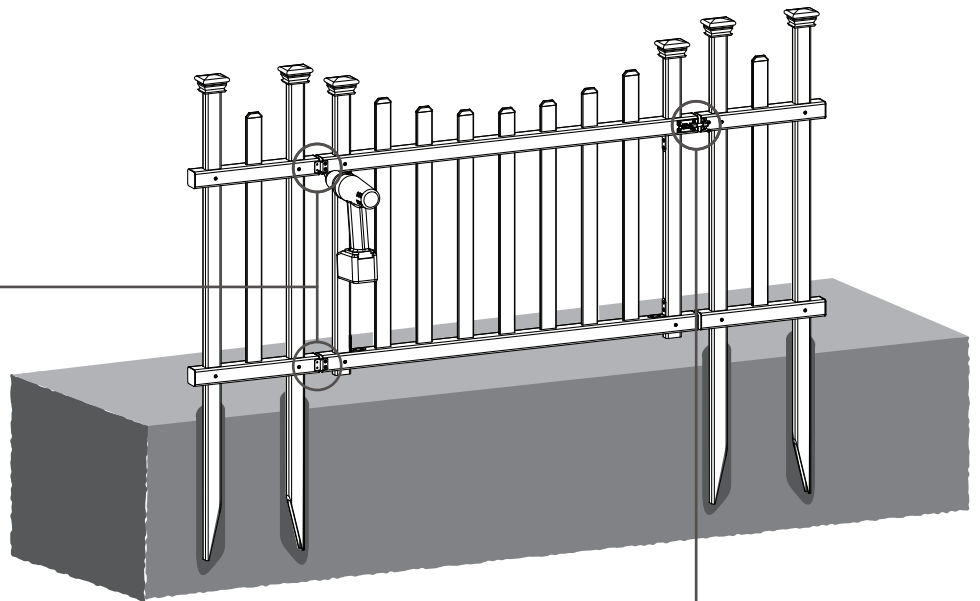
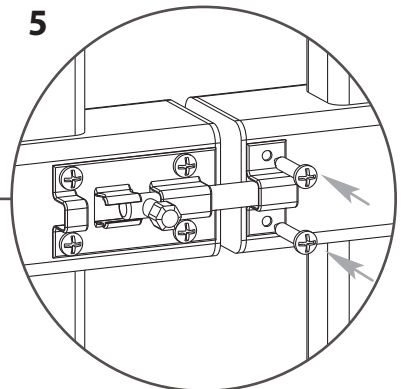
3



4



5



ZIPPITY
Easy Does It!

STEP SEVEN

Fence Panels installation

1

Follow the instructions included in your Madison Picket Fence kit.

2

Connect the top and bottom rails of the gate and fence panels using the supplied zippity clips as shown.

