

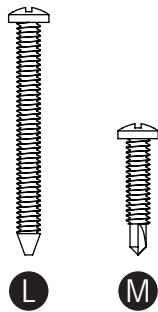
BOX CONTENTS

In the event of missing or defective parts please call our customer service department at 1-877-234-6196 (Mon-Fri 9:00 AM to 5:00 PM EST)

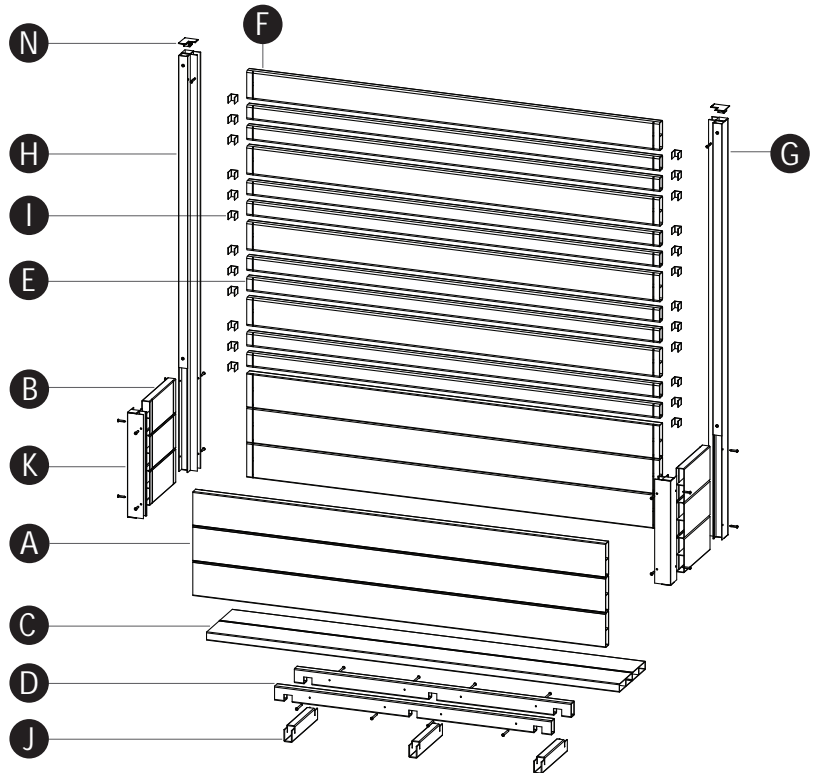
ENCLO
HIDE IT WITH STYLE

IMPORTANT: CHECK THE INSIDE OF THE LARGER PIECES IN YOUR BOX FOR OTHER MATERIALS PACKED INSIDE.

- A.** Long Board (2) - $\frac{7}{8}$ " x 11" x 44"
- B.** Short Board (2) - $\frac{7}{8}$ " x 11" x 7 $\frac{1}{4}$ "
- C.** Floor Board (1) - $\frac{7}{8}$ " x 7 $\frac{1}{4}$ " x 44"
- D.** Long Floor Support (2) - $\frac{7}{8}$ " x 1 $\frac{1}{2}$ " x 30"
- E.** Thin Horizontal Slat (8) - $\frac{7}{8}$ " x 1 $\frac{1}{2}$ " x 44"
- F.** Wide Horizontal Slat (4) - $\frac{7}{8}$ " x 3" x 44"
- G.** Right Post (1) - 1 $\frac{3}{4}$ " x 1 $\frac{3}{4}$ " x 44"
- H.** Left Post (1) - 1 $\frac{3}{4}$ " x 1 $\frac{3}{4}$ " x 44"
- I.** Spacer (24)
- J.** Short Floor Support (3) - $\frac{7}{8}$ " x 1 $\frac{1}{2}$ " x 7 $\frac{1}{4}$ "
- K.** Short Post (2) - 1 $\frac{3}{4}$ " x 1 $\frac{3}{4}$ " x 11"
- L.** 1 $\frac{1}{4}$ " Black Self-Drilling Stainless Steel Screw (8)
- M.** $\frac{3}{4}$ " Black Self-Drilling Stainless Steel Screw (18)
- N.** Corner Post Cap (2)



Not to Scale



Assembled Panel

