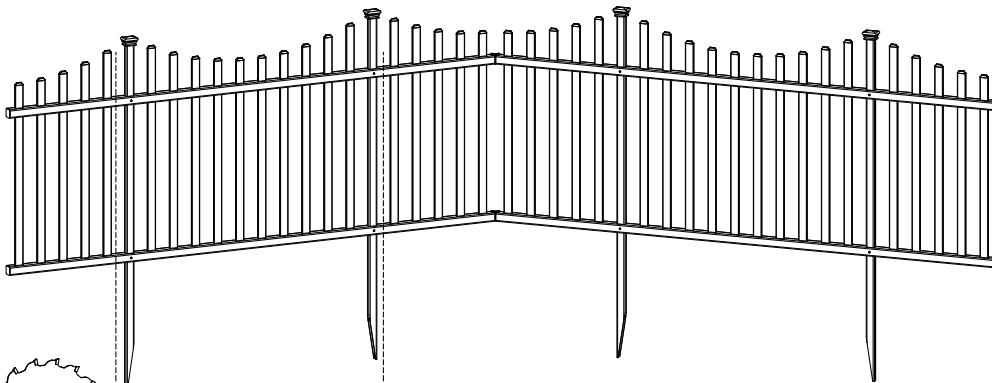


ASSEMBLY INSTRUCTIONS

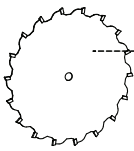


ZIPPITY
Easy Does It!

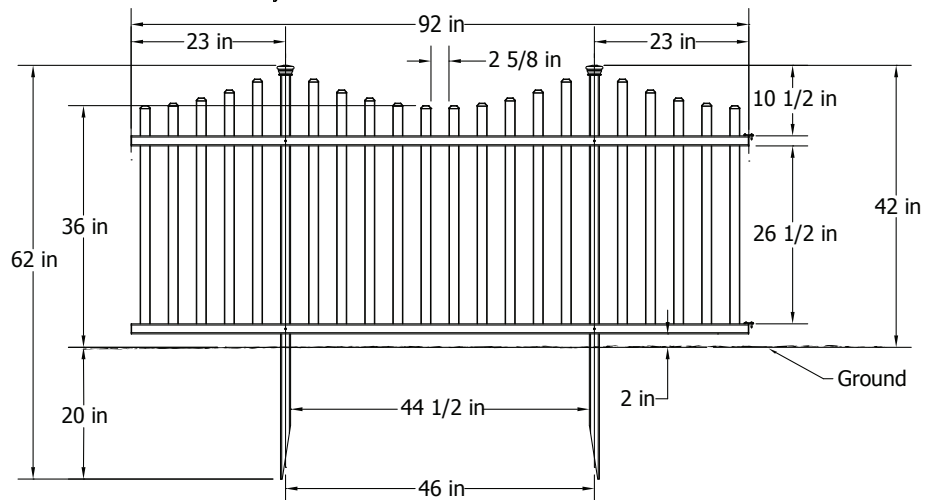
Manchester Vinyl Picket Fence Kit 2-Pack (42"H x 92"W)



THIS FENCE IS DESIGNED FOR SEMI-PERMANENT APPLICATIONS



This fence can easily be trimmed down horizontally to fit your custom space. Use a fine toothed circular saw or hack saw.



Please read through before starting assembly.

IMPORTANT: CHECK THE INSIDE OF THE LARGER PIECES IN YOUR BOX FOR OTHER MATERIALS PACKED INSIDE.

Check Box for These Contents

In the event of missing or defective parts please call our customer service department at **1 877 234 6196** (Mon. to Fri. 8:00 AM to 4:00 PM EST).

1. Post Caps (4)
2. Top Rail (2) - 1 1/2" x 1 1/2" x 92"
3. Posts (4) - 7/8" x 1 1/2" x 61 1/2"
4. Pickets (40) - 1 - 1/4" x 1 1/2" x 37 7/8"
2 - 1/4" x 1 1/2" x 36 1/4"
3 - 1/4" x 1 1/2" x 35 1/8"
4 - 1/4" x 1 1/2" x 34 1/4"
5 - 1/4" x 1 1/2" x 33 7/8"
5. Bottom Rail (2) - 1 1/2" x 1 1/2" x 92"
6. Joiner Clips (4)
7. 3/4" Self-Auguring Stainless Steel Screw (24)

Tools You Will Need

- Cordless Drill
- Level
- Hammer

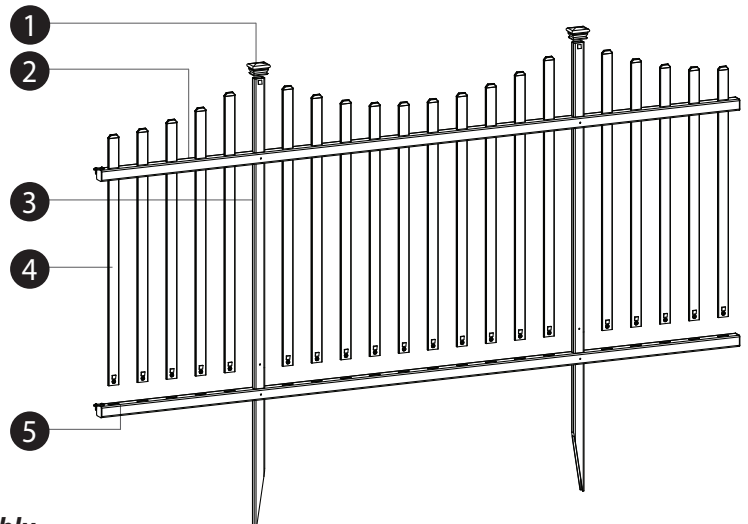


6



7

Not to Scale



General Information

- **Read Instructions through carefully before beginning assembly.**
- When assembling components, place on a non-abrasive surface (i.e. shipping box) to avoid scratching.
- We recommend an area approx 5'x 8' for unobstructed assembling.
- You should not need to use excessive force when assembling components.

STEP ONE

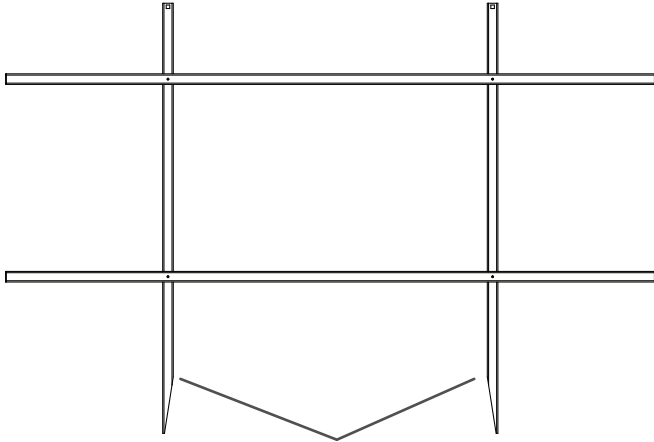
1

Position the top & bottom rails as illustrated and slide the two posts down thru the large routed holes in the top and bottom rails until the predrilled holes in both rails are aligned with the pre-drilled holes in both posts.

Note the difference between the top and bottom rails.

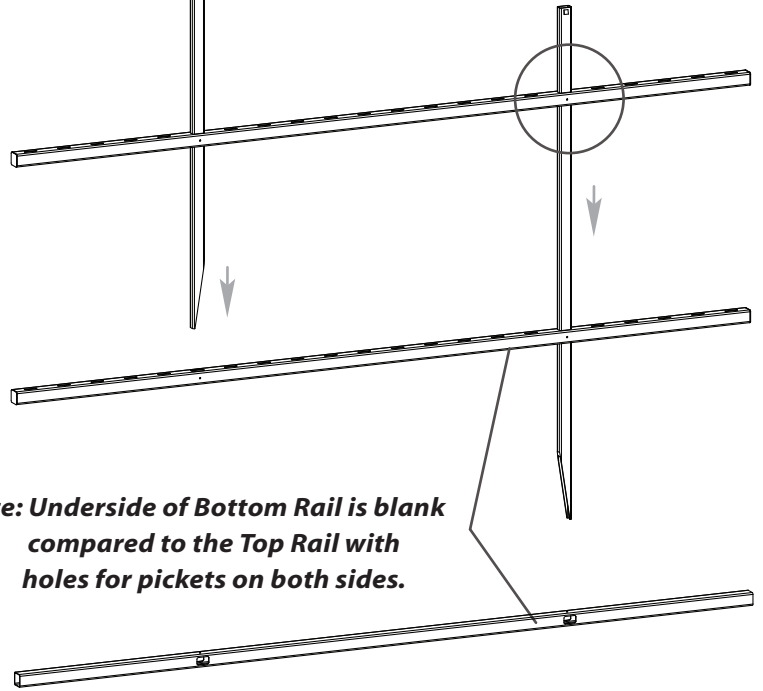
Tip!

Shine an LED light from smart phone or flashlight down the end of the posts to help identify alignment of pre-drilled holes if necessary.



Note: Orientate the bottom of Posts as Illustrated

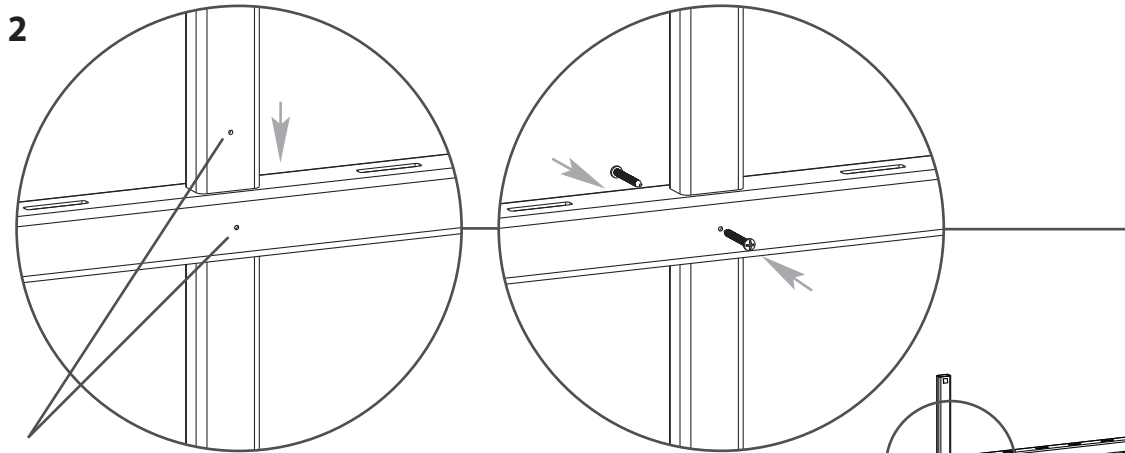
1



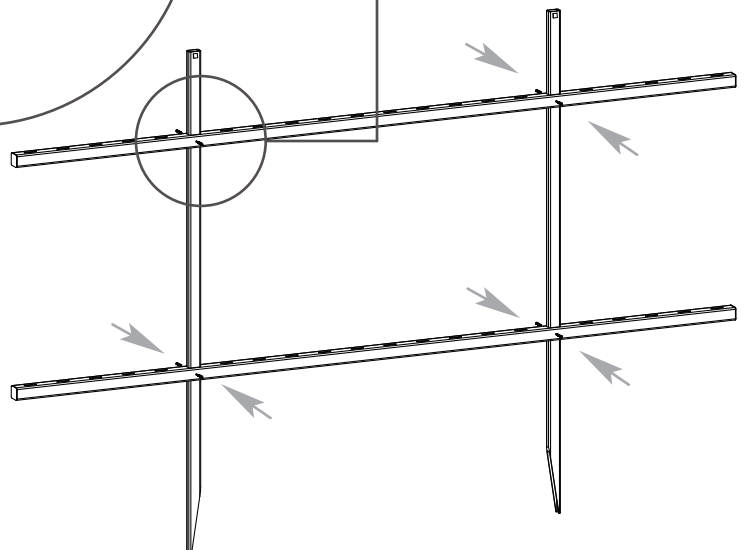
Note: Underside of Bottom Rail is blank compared to the Top Rail with holes for pickets on both sides.

2

Secure the rails to the post with screws on both sides of the rails as illustrated.



Note: Align Holes



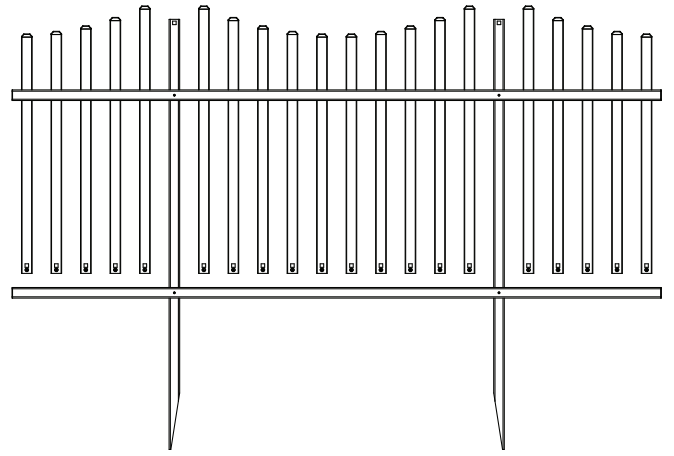
ZIPPITY
Easy Does It!

STEP TWO

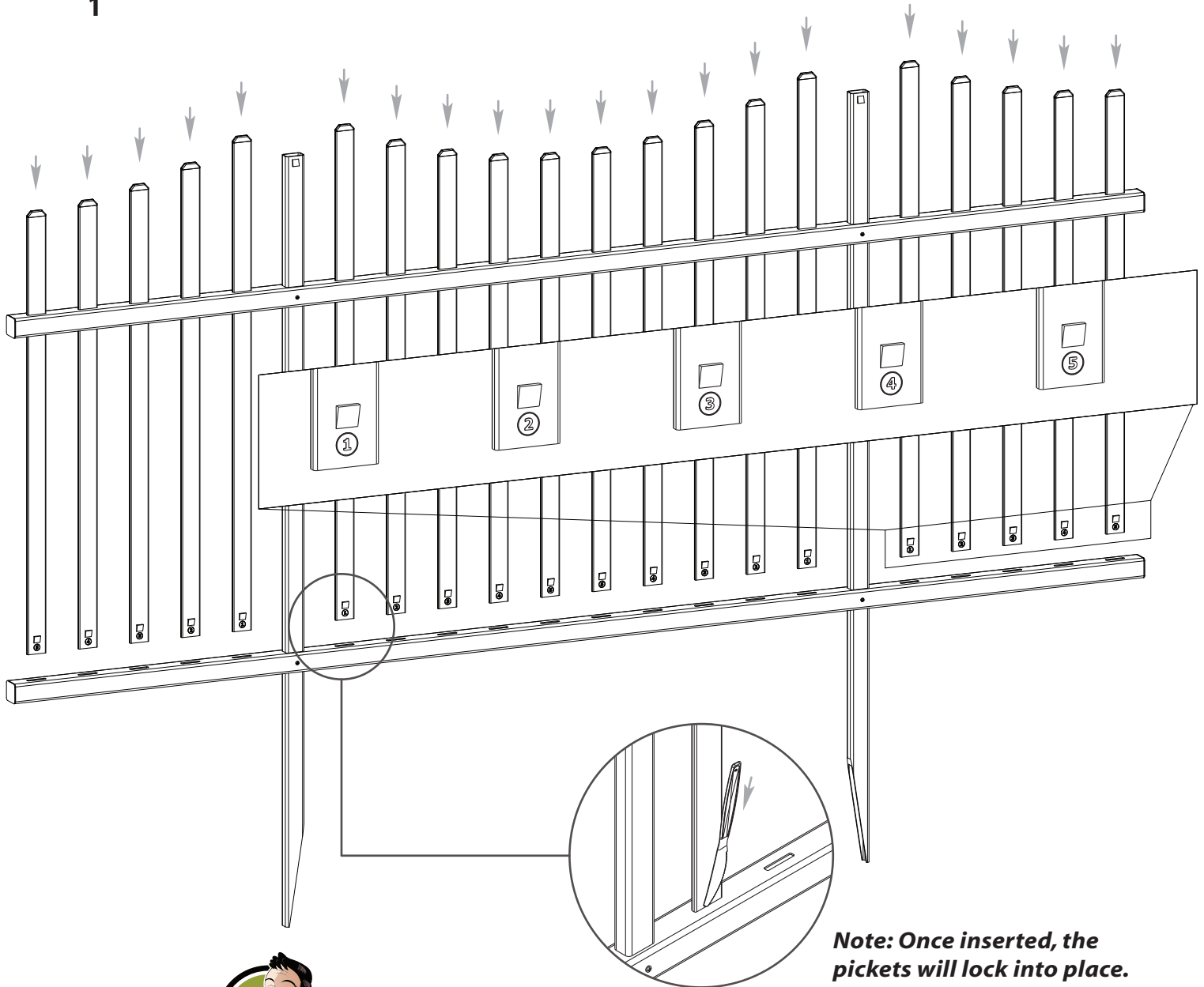
1

Pickets are identified 1, 2, 3, 4 and 5 to create scallop pattern. Please insert in pattern as identified in illustration. Starting with the tallest picket, slide each one down thru the top rail and into the bottom rail.

Note: The tabs on the bottom of the pickets are intended to go into the bottom rail to lock picket into place.



1



Note: Once inserted, the pickets will lock into place. To remove the picket(s), gently insert a butter knife along the picket direction as shown and slowly pull up the picket(s).



STEP THREE

Install fence into Ground

1

Move the fence to its final location and identify the location of posts.

2

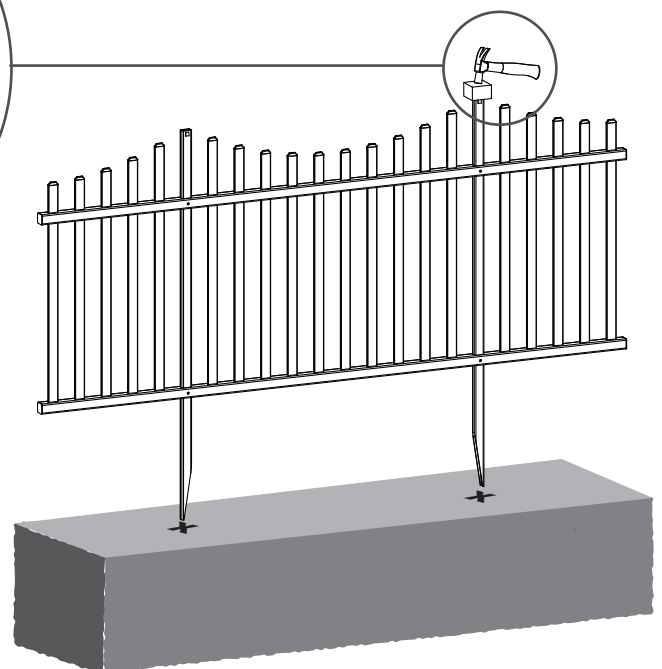
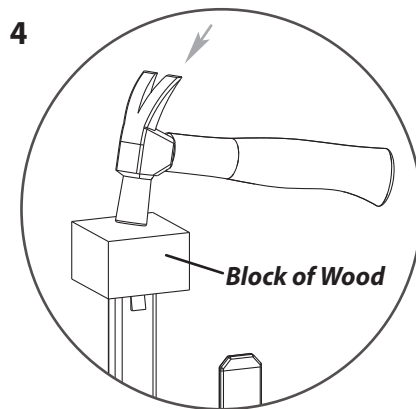
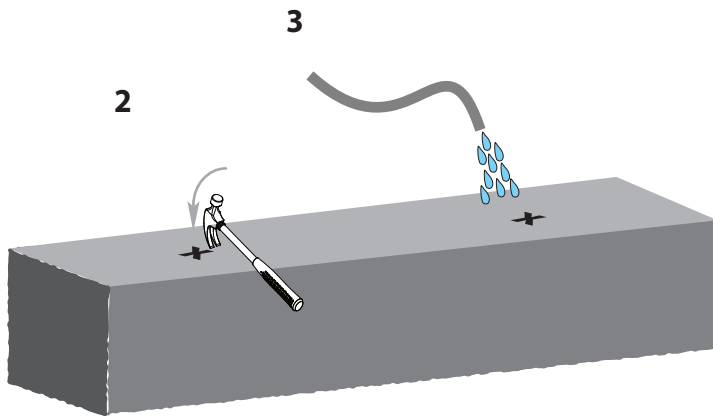
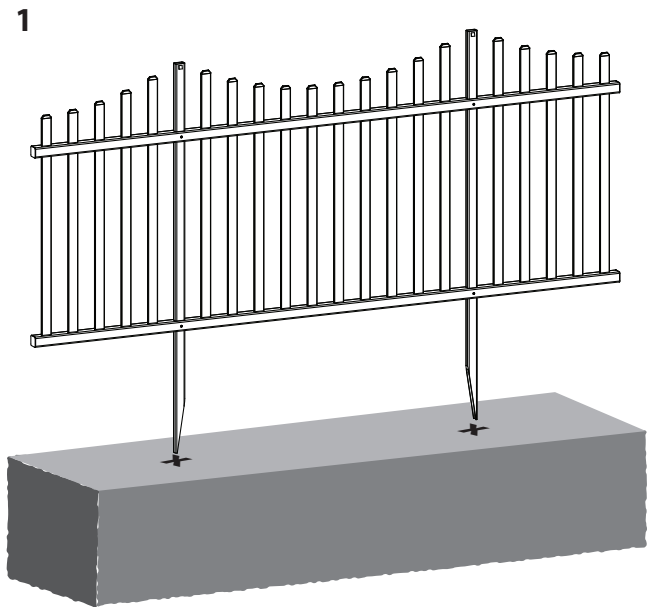
Loosen the top 10" to 12" of the ground using a claw hammer and screw driver (or something equivalent) as illustrated.

3

Add water to loosen soil.

4

Use a block of wood to protect the top of post and gently hammer each post into the ground equally.



ZIPPITY
Easy Does It!

STEP THREE

OPTIONS IN HARD GROUND

If your ground is too hard, or you have more than 3 or 4 panels to install, please consider:

1

Purchase a 1 3/4" diameter auger bit (commonly used for planting tulips) as illustrated (\$15-\$20 on Amazon.com)

2

Drill a hole in the ground at the desired location only about 12" to 16" deep.

3

Fill the holes with water as illustrated.

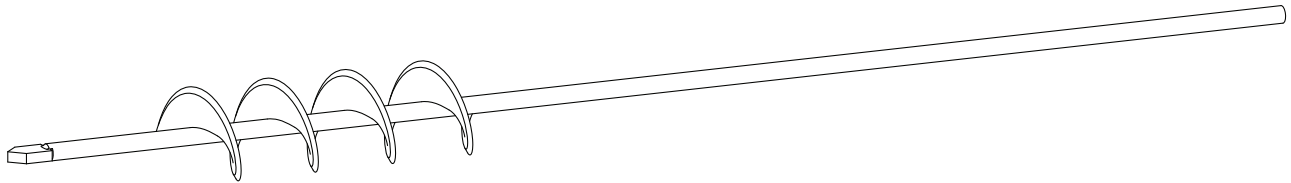
4

Push fence posts into the holes as illustrated.

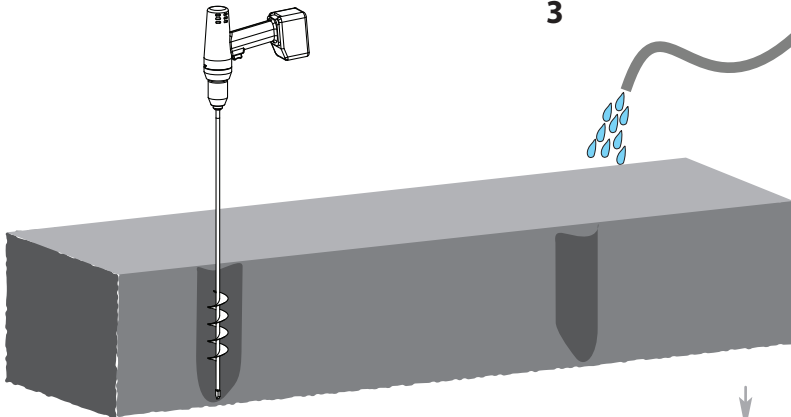


ZIPPITY
Easy Does It!

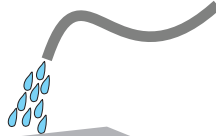
1



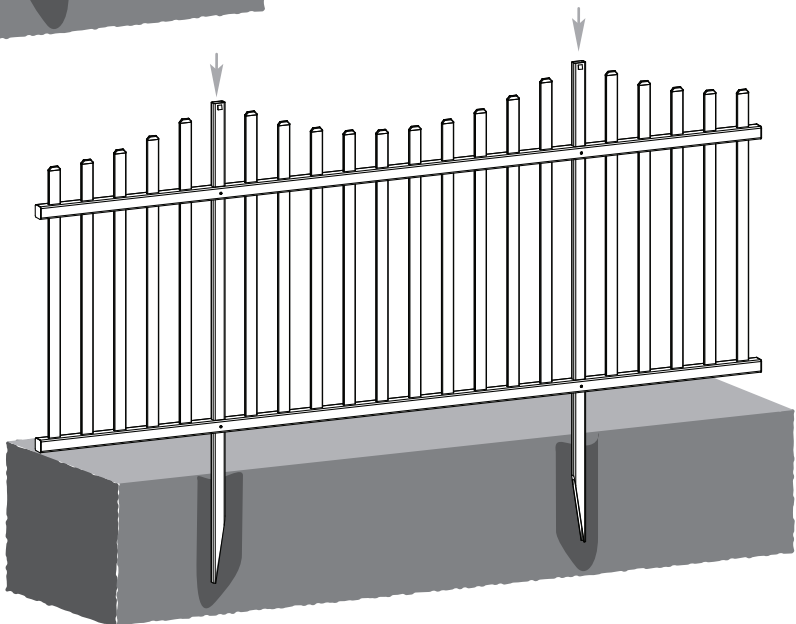
2



3



4



STEP THREE

Install fence into Ground - Continued

3

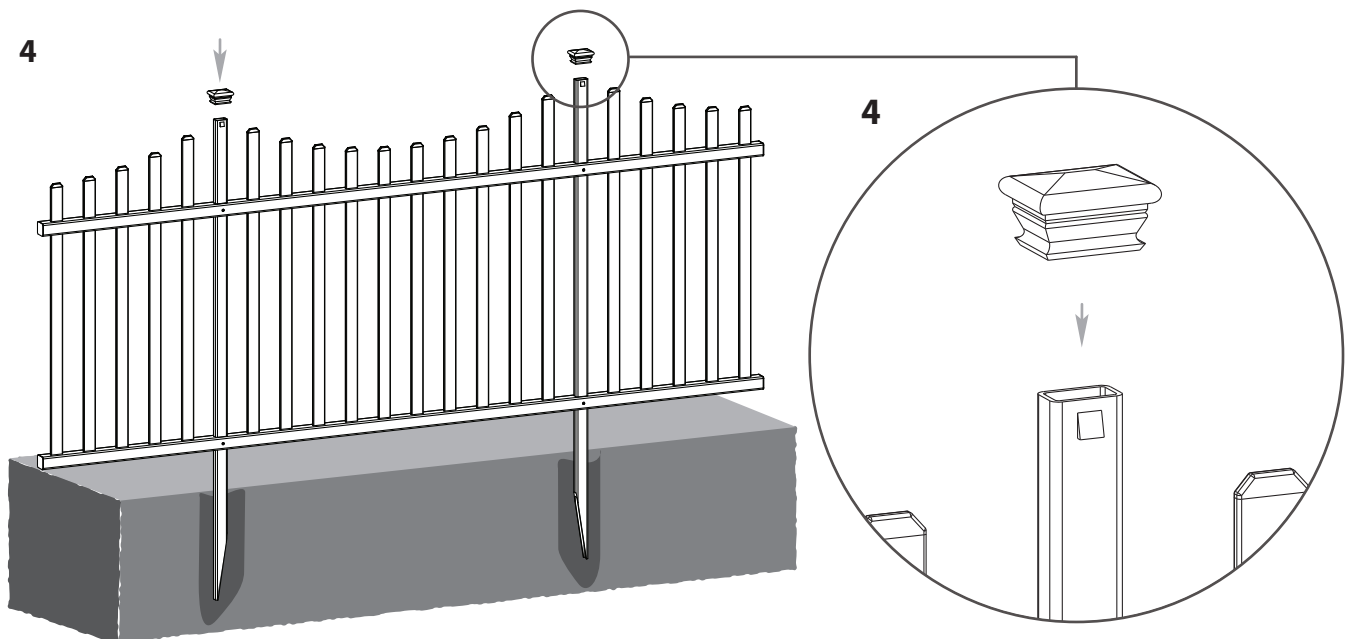
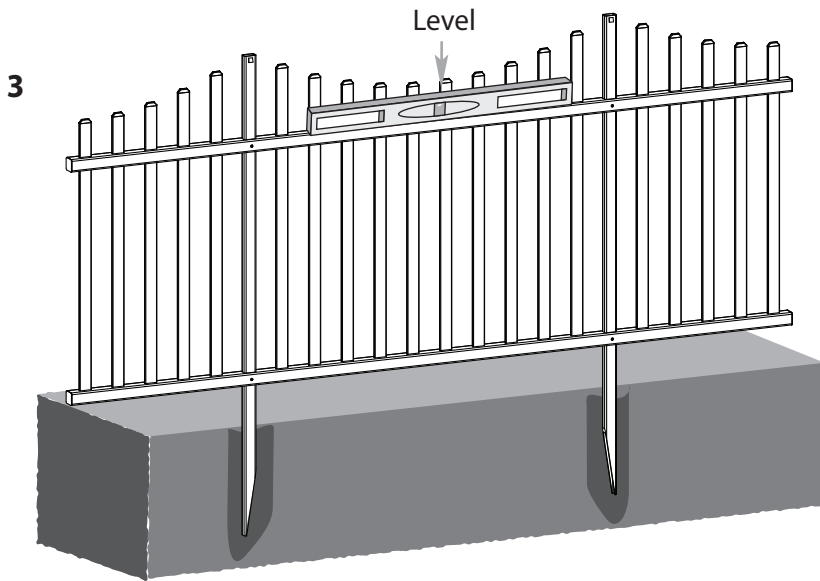
Level the assembled unit and backfill and compact dirt around the base of each post to strengthen the unit.

4

Finish the assembly by pushing the post caps down over the top of posts as illustrated. The post caps will lock into place.



ZIPPITY
Easy Does It!



STEP FOUR

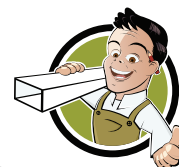
Fasten Joiner Clips

1

Fasten joiner clips by screwing into place on the top of the top rail and top of the bottom rail as illustrated. Screws are self-drilling.

2

Fasten the opposite end of the joiner clip as illustrated.



ZIPPITY
Easy Does It!

