



Buy it for looks. Buy it for life.®

Specifications

DESCRIPTION

- Metal construction with chrome finish
- Flexible supply lines with 3/8" compression fittings
- Includes metal pop-up waste assembly

OPERATION

- Lever style handle
- Temperature controlled by 100° arc of handle travel
- Includes hot & cold temperature indicators


FLOW

- Flow is limited to 1.2 gpm max (5.7L/min) at 60 psi

CARTRIDGE

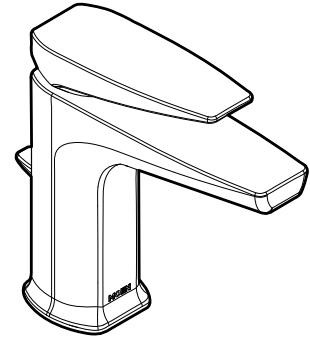
- 1255™ Duralast™ cartridge for Single-Handle Faucets

STANDARDS

- Third party certified to ASME A112.18.1/CSA B125.1, NSF 61/9 & 372 and all applicable requirements referenced therein
- Third party certified to comply with WaterSense® High Efficiency Bathroom Sink Faucet Specification
- Complies with California Proposition 65 and with the Federal Safe Drinking Water Act
- **ADA**  for lever handle

WARRANTY

- Lifetime limited warranty against leaks, drips and finish defects to the original consumer purchaser
- 5 year warranty if used in commercial installations

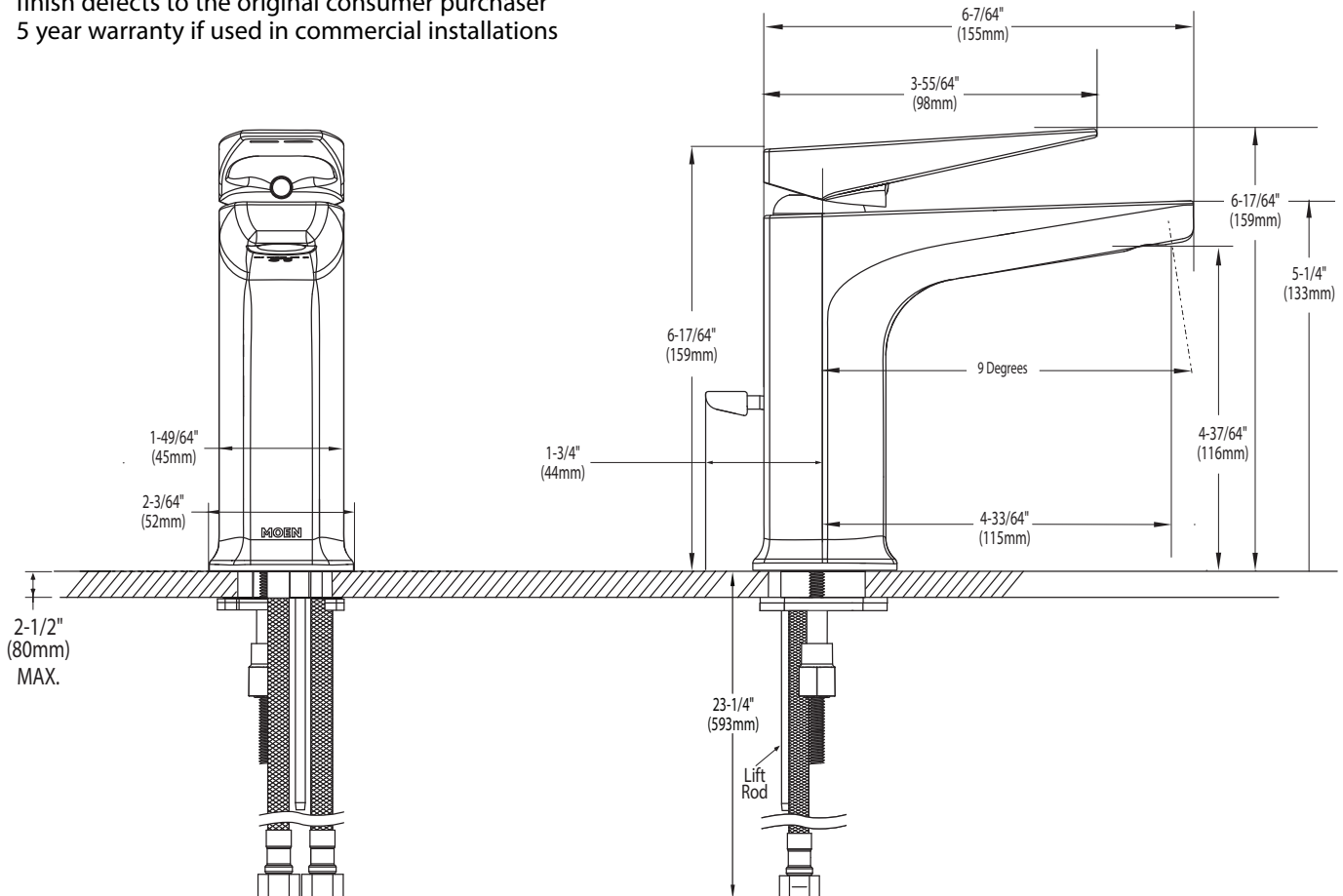


Via™

Single-Handle Lavatory Faucet

Model: S8000

NOTE: THIS FAUCET IS DESIGNED TO BE INSTALLED THRU 1 HOLE, 1-1/8" MIN. DIA.



CRITICAL DIMENSIONS

(DO NOT SCALE)