

PARTS BREAKDOWN SHEET



ELITE SINGLE HANDLE KITCHEN PULLOUT FAUCET



Model #: _____
Specific Features: _____
Project Name: _____
Submitted For: _____
Date: _____

- Metal Lever Handle
- Pullout Head with 2 Spray Patterns
- 9-15/16" Reach, 5-3/16" From Deck to Aerator
- Ceramic Disc Cartridge with Temperature Limit Stop
- 1 or 3-Hole 8" Installation
- Integral Vacuum Breaker
- SS Flex Connectors

K-5030 SHOWN **ADA**

Model #	Features	Finish	
K-5030		CP	
K-5030-BN		PVD BN	
K-5030-MZ		MZ	
K-5030-ORB		ORB	

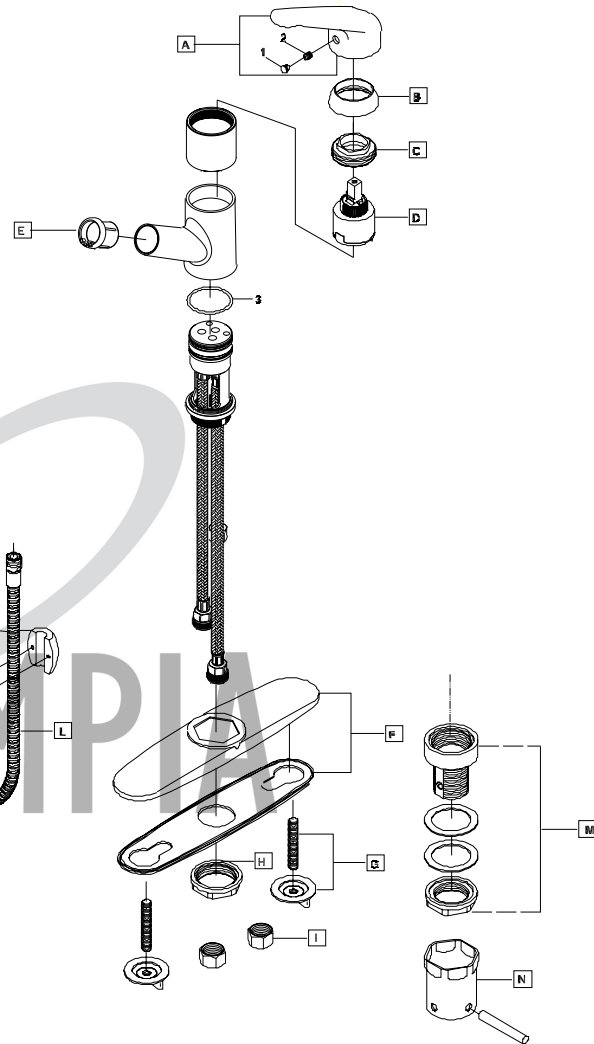
Olympia products are engineered and manufactured to meet the following standards and codes:

- ASME A112.18.1
- ANSI A117.1
- ANSI / NSF 61, SECTION 9
- IAPMO LISTED
- CONTAINS NO MORE THAN 0.25% WEIGHTED AVERAGE LEAD CONTENT

* Aerator limited to 2.0 GPM Flow Rate

Note:-There is more than 1 version of this model. Page down to identify the version you have.

* Note- Part M and N includes only on the Products purchased after April 2011.



ITEM #	DESCRIPTION
A	OP-120001* Metal Lever Handle
B	OP-420008* Cap
C	OP-420009 Retainer Nut
D	OP-320001 Ceramic Disc Cartridge
E	OP-420011 Spray head support
F	OP-420013* Deck Plate & Base Gasket
G	OP-520003 Mounting Bolts & Nuts
H	OP-520004 Locknut
I	OP-590001 Supply Nut
J	OP-420016* Pullout Spray head
K	OP-420014 Weight
L	OP-420015 Spray Hose
M	OP-520006* 1-Hole Mounting Assembly
N	OP-520007 Mounting Tool
1	OP-490005 Button
2	OP-490029 Allen Screw
3	OP-420010 O-Ring
4	OP-420017 Spray head Button

* Note- Please Specify finish/color code while ordering.

PARTS BREAKDOWN SHEET



ELITE SINGLE HANDLE KITCHEN PULLOUT FAUCET



Model #: _____
Specific Features: _____
Project Name: _____
Submitted For: _____
Date: _____

- Metal Lever Handle
- Pullout Head with 2 Spray Patterns
- 9-15/16" Reach, 5-3/16" From Deck to Aerator
- Ceramic Disc Cartridge with Temperature Limit Stop
- 3-Hole 8" Installation
- 30" SS Flex Connectors With 3/8" Connections

K-5030 SHOWN **ADA**

Model #	Features	Finish	
K-5030		CP	
K-5030-BN		PVD BN	
K-5030-MZ		MZ	
K-5030-ORB		ORB	

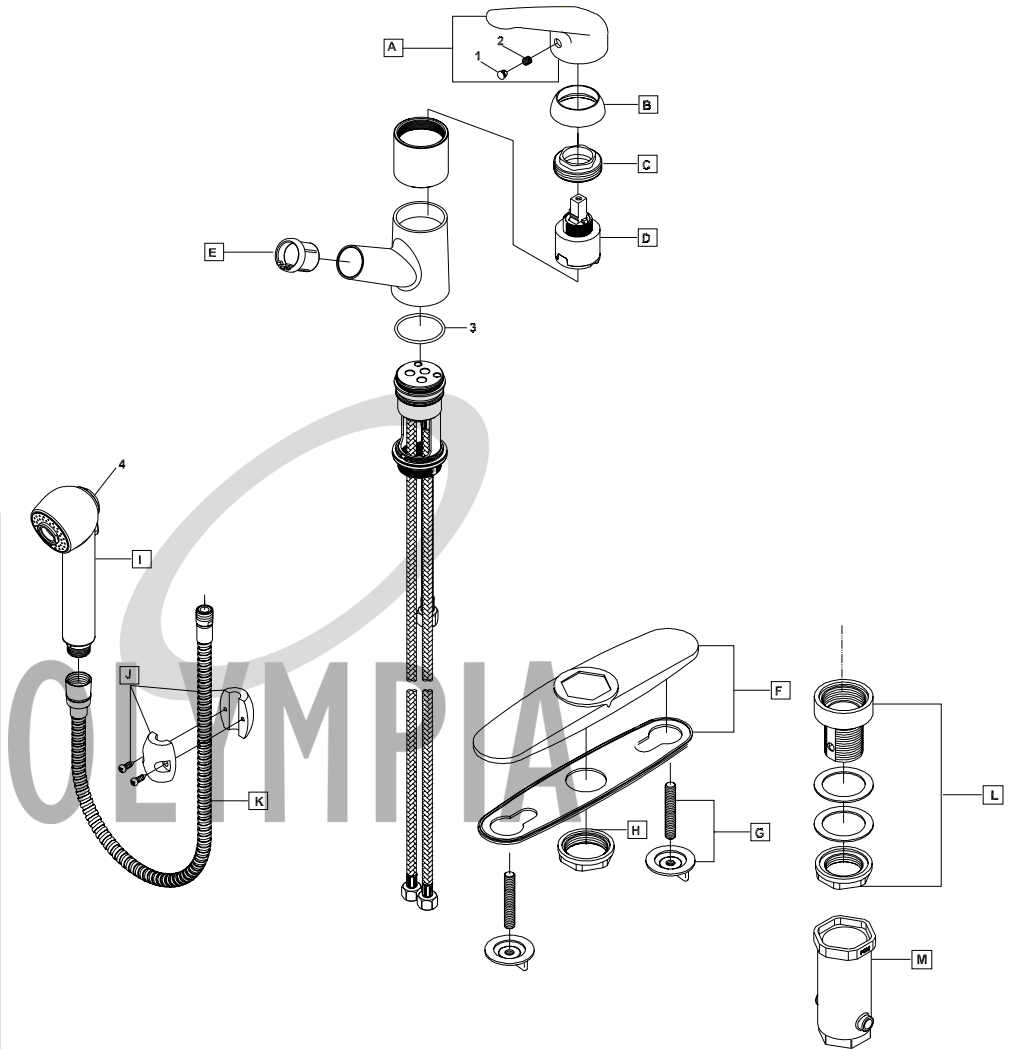
Olympia products are engineered and manufactured to meet the following standards and codes:

- ASME A112.18.1
- ANSI A117.1
- ANSI / NSF 61, SECTION 9
- IAPMO LISTED
- CONTAINS NO MORE THAN 0.25% WEIGHTED AVERAGE LEAD CONTENT

Aerator limited to 1.8 GPM Flow Rate

Note:-There is more than 1 version of this model. Page down to identify the version you have.

ITEM #	DESCRIPTION
A	OP-120001* Metal Lever Handle
B	OP-420008* Cap
C	OP-420009 Retainer Nut
D	OP-320001 Ceramic Disc Cartridge
E	OP-420011 Spray head support
F	OP-420013* Deck Plate & Base Gasket
G	OP-520003 Mounting Bolts & Nuts
H	OP-520004 Locknut
I	OP-420063* Pullout Spray head
J	OP-420014 Weight
K	OP-420015 Spray Hose
L	OP-520006 1-Hole Mounting Assembly
M	OP-520012 Mounting Tool
1	OP-490005 Button
2	OP-490029 Allen Screw
3	OP-420010 Spout O-Ring
4	OP-420017 Spray head Button



* Note- Please Specify finish\color code while ordering.

PARTS BREAKDOWN SHEET



ELITE SINGLE HANDLE KITCHEN PULLOUT FAUCET



Model #: _____
Specific Features: _____
Project Name: _____
Submitted For: _____
Date: _____

- Metal Lever Handle
- Pullout Head with 2 Spray Patterns
- 9" Reach, 5-1/8" From Deck to Aerator
- Ceramic Disc Cartridge with Temperature Limit Stop
- 3-Hole 8" Installation
- 26" SS Flex Connectors With 3/8" Connections

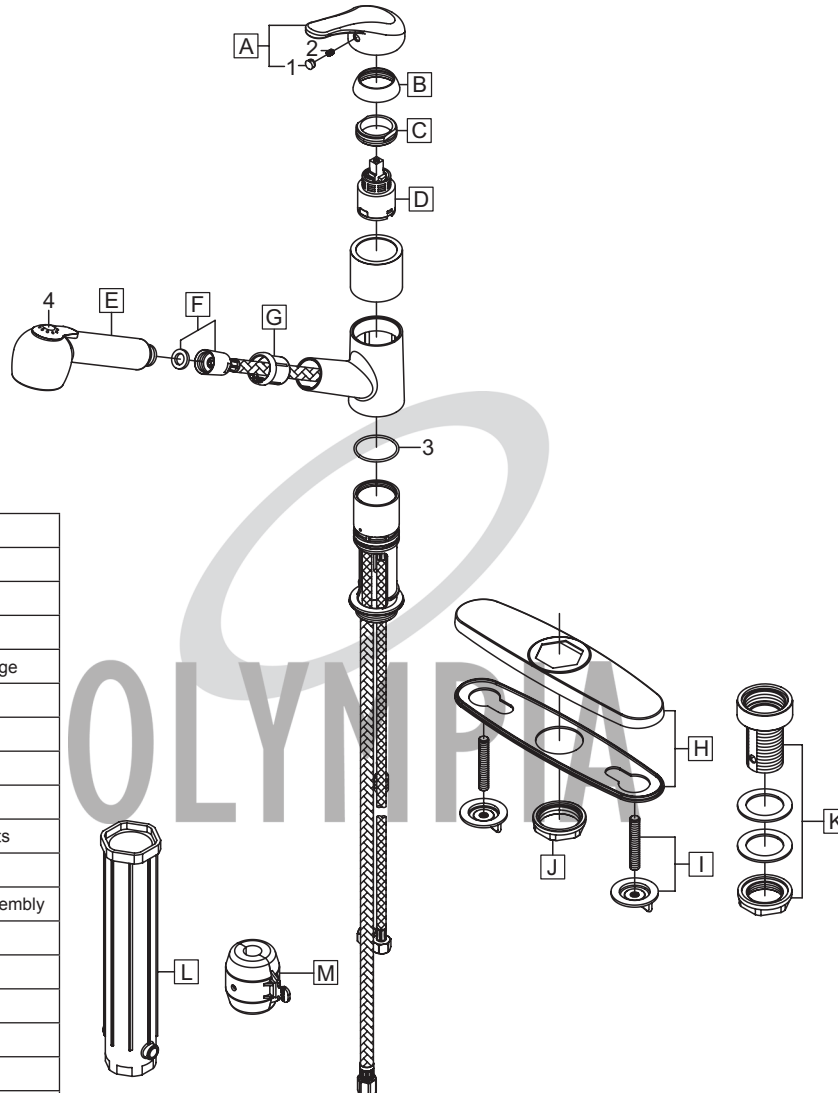
K-5030 SHOWN **ADA**

Model #	Features	Finish	
K-5030		CP	
K-5030-BN		PVD BN	
K-5030-MZ		MZ	
K-5030-ORB		ORB	

Olympia products are engineered and manufactured to meet the following standards and codes:

- ASME A112.18.1
- ANSI A117.1
- ANSI / NSF 61, SECTION 9
- IAPMO LISTED
- CONTAINS NO MORE THAN 0.25% WEIGHTED AVERAGE LEAD CONTENT

Aerator limited to 1.8 GPM Flow Rate



ITEM #	DESCRIPTION
A	OP-120005* Metal Lever Handle
B	OP-420028* Cap
C	OP-420042 Retainer Nut
D	OP-320002 Ceramic Disc Cartridge
E	OP-420063* Pull-out Spray Head
F	X-4200111 Spray Hose
G	OP-420011 Spray Head Support
H	OP-420013* Deck Plate
I	OP-520003 Mounting Bolts & Nuts
J	OP-520004 Locknut
K	OP-520006* 1-Hole Mounting Assembly
L	OP-520014 Mounting Tool
M	OP-420062 Weight
1	OP-490005 Button
2	OP-490029 Allen Screw
3	OP-420010 Spout O-Ring
4	OP-420017 Spray head Button

* Note- Please Specify finish\color code while ordering.

PARTS BREAKDOWN SHEET



Model Number: K-5030

* Note: Please specify finish/color when ordering.
 * Note - Parts K and L includes only on the product purchased after March 2019.

	ITEM #	DESCRIPTION
A	OP-120005	Metal Lever Handle
B	OP-420043	Cap
C	OP-420042	Retainer Nut
D	OP-320002	Ceramic Disc Cartridge
E	OP-420063	1.8 GPM Spray Head
	OP-420012	1.5 GPM Spray Head
F	X-4200197	Spray Hose
G	OP-420011	Spray Head Support
H	OP-420013	Deck Plate & Base Gasket
I	OP-520003	Mounting Bolts & Nuts
J	OP-520016	Escutcheon & Gasket
K	X-4200199	Quick Connect
L	OP-520015	Locknut with Screws
M	OP-420070	Weight
1	OP-490005	Hole Cover
2	OP-490029	Allen Screw
3	OP-420010	O-Ring
4	OP-420017	Spray Head Button
5	OP-420075	Washer

