

CONVENIENCE CONCEPTS

LARGE TV/MONITOR RISER



121043LO



121043CH



121043



121043W

ASSEMBLY INSTRUCTIONS

We have designed our furniture with you , the customer in mind . Our clear , easy to follow , step by step instructions will guide you through the project from start to finish . Feel confident that this will be a fun and rewarding project . The final product will be a quality piece of furniture that will go together smoothly and give years of enjoyment .



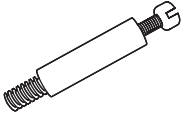


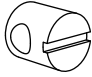
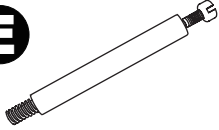


Please do not return to the store

Broken or missing parts?

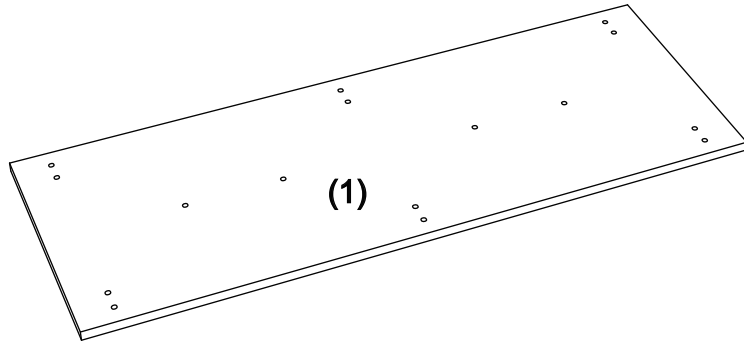
Need help with assembly?

If you have any questions just call 1-800-468-6447 or email us at parts@convenience-concepts.com

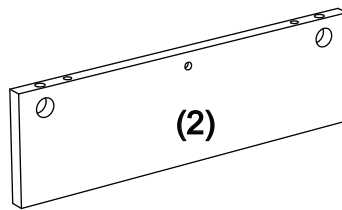
Hardware List

A	
Cambolt (8pcs)	
B	
Camlock (9pcs)	
C	
Wood dowel (10pcs)	
D	
Nut (1pc)	
E	
Long Cambolt (1pc)	
F	
Glue (1pc)	
G	
Plastic foot (6pcs)	

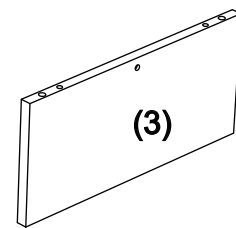
Part List



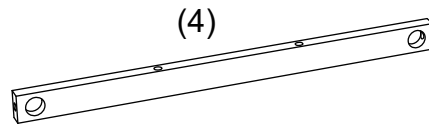
Top Panel (1pc)



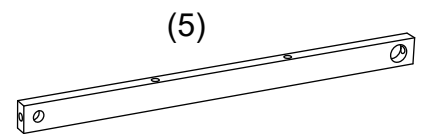
Side Panel (2pcs)



Middle Panel (1pc)

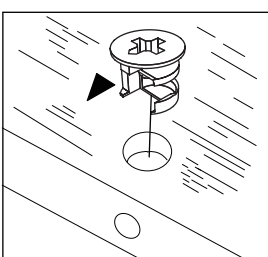
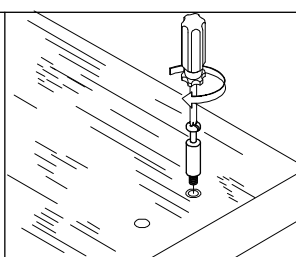
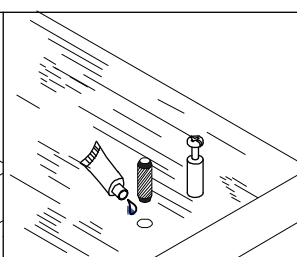
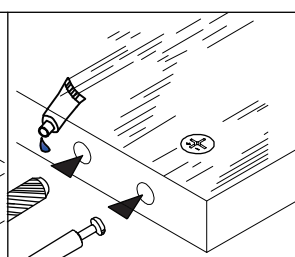
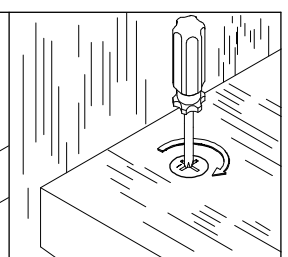


Support Panel (1pc)

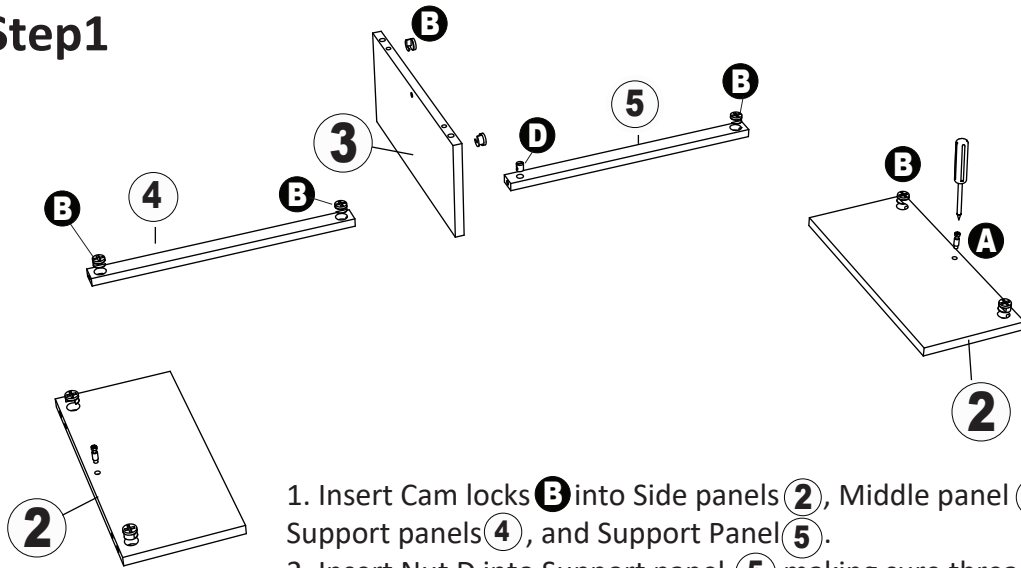


Support Panel (1pc)

Assembling the unit with camlocks and wood dowels.

				
Insert camlock, camlock must face bolt hole	Gently screw cam dowel into the threaded anchor	Lightly glue one end of wood dowel and tap into hole.	Lightly glue dowel and connect to second panel by inserting dowels into holes	Gently screw the cam clockwise into locked position. Do not overtighten.

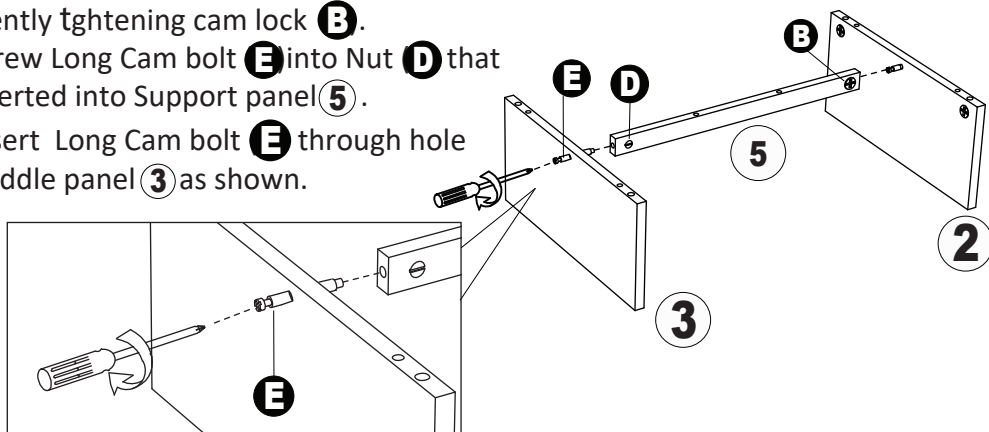
Step1



1. Insert Cam locks **B** into Side panels **2**, Middle panel **3**, Support panels **4**, and Support Panel **5**.
2. Insert Nut D into Support panel **5** making sure threads are facing bolt hole.
3. Screw Cam bolts **A** into Side panels **2**.

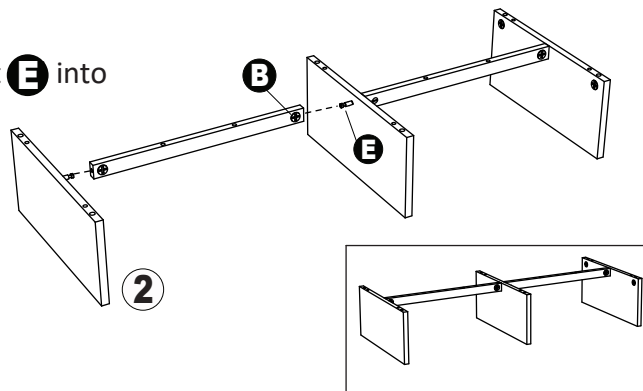
Step2

1. Connect Side panel **2** and Support panel **5** by gently tightening cam lock **B**.
2. Screw Long Cam bolt **E** into Nut **D** that is inserted into Support panel **5**.
3. Insert Long Cam bolt **E** through hole in Middle panel **3** as shown.



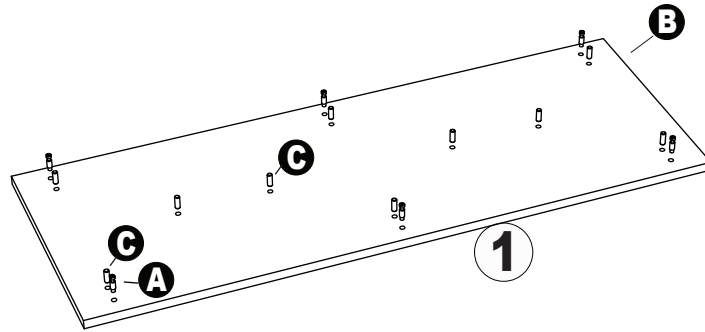
Step3

1. Insert other end of Long Cambolt **E** into Support panel **4** and gently tighten cam lock **B**.
2. Connect second Side panel **2** to assembly by gently tightening Camlock **B**.



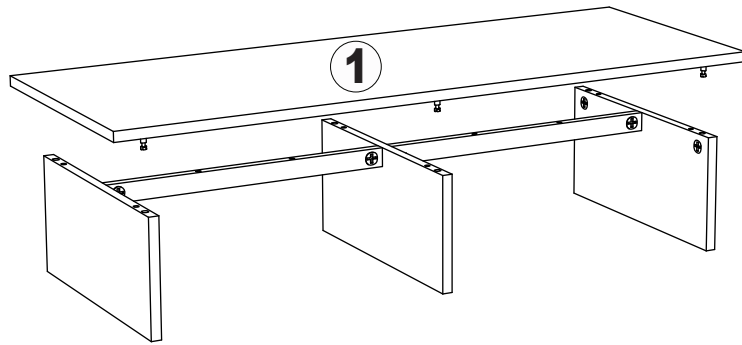
Step4

1. Screw Cam Bolts (A) and insert Wood Dowels (C) into Top panel 1 .



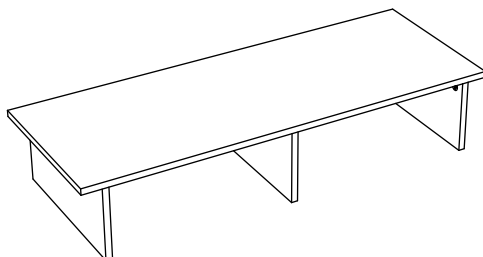
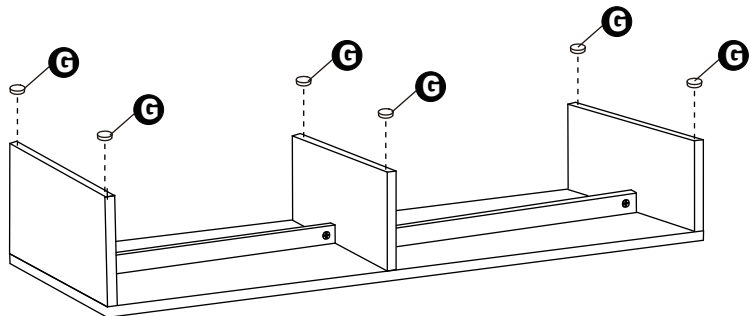
Step5

1. Attach top panel **1** to unit and gently tighten camlocks.



Step6

1. Attach plastic feet **G** to unit as shown.



2. Turn unit over and enjoy.