

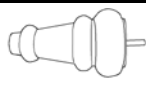



**Important safety instructions:**

- Please read carefully all instructions before assembling.
- For your safety and ease, assembly by two or more adults is recommended.
- Keep instructions for future use.


**Pre-assembly:**

- Do not discard any content until assembly is completed to avoid accidentally discarding small parts or hardware.
- Remove all parts and hardware from box along with any protective packaging.

**Parts List**

Item	Description	DRAWING	QTY
P1	Front Legs		2
P2	Back Legs		2
P3	Backrest		1
P4	Chair Seat		1

**Hardware List**

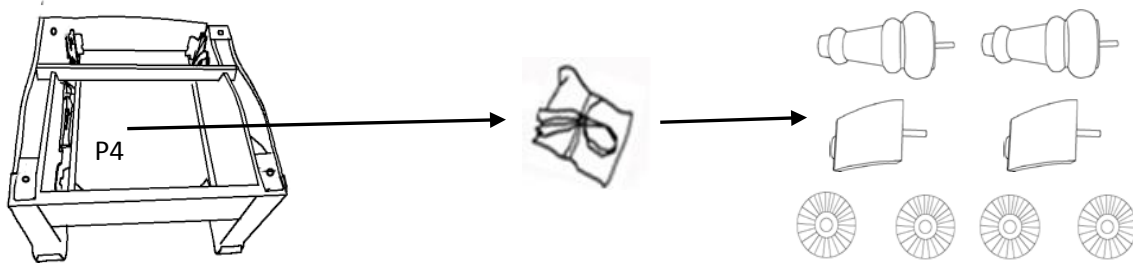
Item	Description	DRAWING	QTY
H1	Plastic Washer		4

**DISCLAIMER:**

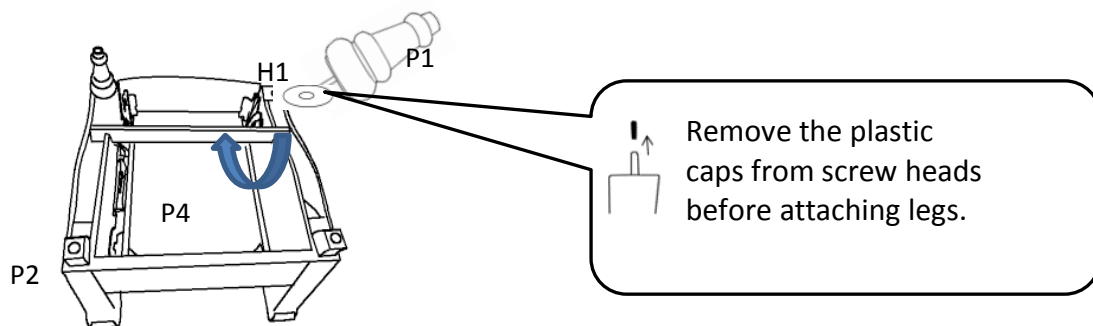
WHEN PROPERLY ASSEMBLED, THIS ITEM IS SAFE FOR INTENDED USE. SELLER IS NOT LIABLE FOR ANY DAMAGES RESULTING FROM ITEM BEING IMPROPERLY ASSEMBLED AFTER PURCHASE.

**Assembly Procedures:**

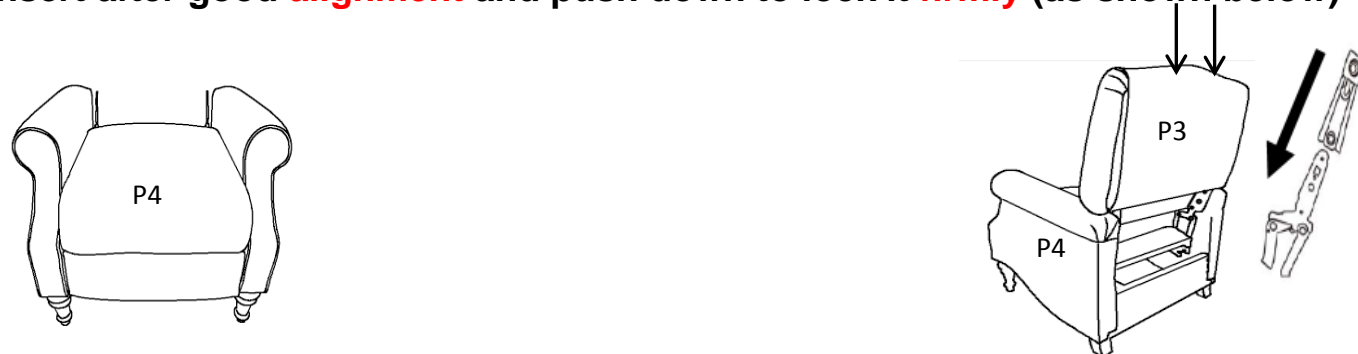
**Step 1.** Assemble the chair on a flat, soft surface such as carpet or cloth to prevent scratching. Place chair seat (P4) upside down onto a protective cloth. Remove legs and plastic washer from the chair bottom.



**Step 2.** Place plastic washers (H1) on legs (P1, P2) and attach them to seat base by screwing clockwise into corresponding holes.



**Step 3.** Align female metal bracket located on the sides of the Chair Backrest (P3) with the prefabricated slide lock gadget on the Chair Seat (P4), insert after good **alignment** and push down to lock it **firmly** (as shown below)



**Step 4.** Smoothly pat down the fabric on the Chair Backrest on both sides of the flap from top to bottom, allowing the velcro tape to adhere to the flap under the seat of the chair. Assembly is complete.



**ADDITIONAL NOTE ABOUT SAFETY:**

**BOLTS MAY LOOSEN DURING NORMAL EVERYDAY USE.**

**THEY SHOULD BE INSPECTED AT LEAST EVERY 3 MONTHS AND RE-TIGHTENED AS NEEDED TO PREVENT DAMAGE OR INJURY, AND ENSURE STABILITY.**

Thank you for your purchase