



# Corbelle® Comfort Height®

two-piece elongated 1.28 gpf toilet  
K-3814-RA

## Features

- Two-piece toilet.
- Elongated bowl offers added room and comfort.
- Skirted trapway simplifies cleaning.
- Revolution 360® swirl flushing technology generates a forceful swirling motion to keep the bowl cleaner, longer.
- Comfort Height® feature offers chair-height seating that makes sitting down and standing up easier for most adults.
- 1.28 gpf (4.8 lpf).
- Includes Polished Chrome right-hand trip lever.
- 2-1/8" (54 mm) fully-glazed trapway.
- Combination consists of the K-4144 bowl and K-4143-RA tank.

## Technology

- CleanCoat™ technology inhibits the growth of water scale and mineral stains for improved ease of cleaning.
- Single-flush gravity uses the force of gravity and a precision-engineered tank, bowl, and trapway to create a strong siphon during flushing.
- AquaPiston® canister allows water to flow out of the tank from all sides (360 degrees), increasing the power and effectiveness of the flush.
- Flush valve's 3:2 ratio harnesses the natural force of gravity and optimizes flush performance.
- Durable canister design has 90% less exposed seal material than a 3" flapper for leak-free performance.
- Light-touch canister flush requires a lower actuation force than a flapper.

## Installation

- Patented ReadyLock™ installation system is a simple solution for skirted toilets that saves time, hassle and eliminates the need to drill into the floor for a standard 12" (305 mm) rough-in.
- Standard 12" (305 mm) rough-in.
- 10" and 14" (254 mm and 356 mm) rough-in kits available.
- Seat and supply line sold separately.
- ReadyLock™ installation system offers easy, intuitive installation with no need to drill holes in floor for standard 12" rough-ins.

## Water Conservation & Rebates

- Eligible for consumer rebates in some municipalities.

## Recommended Products/Accessories

- K-4008 Reveal® Quiet-Close™ Elongated Toilet Seat
- K-4108 C³®-230 Elongated cleansing toilet seat
- K-7637 Angle Supply with Stop (single)
- K-5383 10" Rough-in Full Skirt Trap and Attachment System
- K-5381 14" Rough-in Full Skirt Trap and Attachment System
- K-20120-R Trip Lever
- 1023457 Wax Ring/Hardware Kit



ADA CSA B651 OBC

## Codes/Standards

ASME A112.19.2/CSA B45.1  
DOE - Energy Policy Act 1992  
EPA WaterSense®  
California Energy Commission (CEC)  
ADA  
ICC/ANSI A117.1  
CSA B651  
OBC



## KOHLER® Toilets and Seats Limited Warranty

See website for detailed warranty information.

## Available Colors/Finishes

*Color tiles intended for reference only.*

### Color Code Description

|  |    |         |
|--|----|---------|
|  | 0  | White   |
|  | 96 | Biscuit |

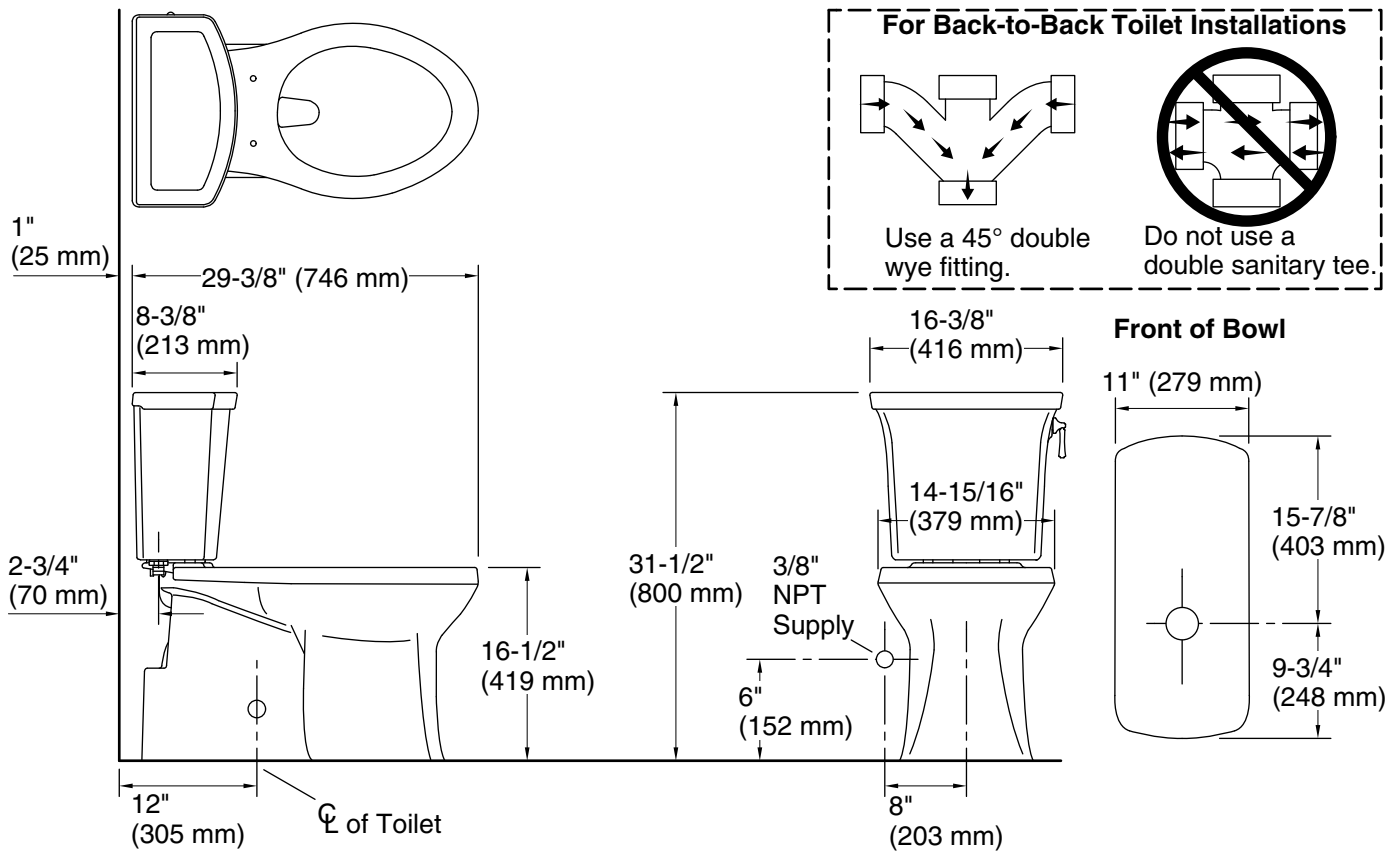
1-800-4KOHLER (1-800-456-4537)

Kohler Co. reserves the right to make revisions without notice to product specifications.

For the most current Specification Sheet, go to [www.kohler.com](http://www.kohler.com).

5-23-2020 21:47 - US/CA

THE BOLD LOOK  
OF **KOHLER**®



### Technical Information

All product dimensions are nominal.

|                       |                                     |
|-----------------------|-------------------------------------|
| Toilet type:          | Two-piece, Floor-mount              |
| Waste Outlet:         | Floor                               |
| Bowl shape:           | Elongated                           |
| Flush type:           | Gravity siphon jet, Revolution 360® |
| Trap passageway:      | 2-1/8" (54 mm)                      |
| Water Consumption     |                                     |
| Full:                 | 1.28 gpf (4.8 lpf)                  |
| Water surface size:   | 9-3/4" x 7-1/4" (248 mm x 184 mm)   |
| Rim to water surface: | 6-1/4" (159 mm)                     |
| Rough-in:             | 12" (305 mm)                        |

### Fixture Supply Requirements

|                      |                    |
|----------------------|--------------------|
| Min static pressure: | 15 psi (103.4 kPa) |
| Max static pressure: | 80 psi (551.6 kPa) |

### Notes

Install this product according to the installation instructions.

For back-to-back toilet installations: Use only a 45° double wye fitting.

ADA, OBC, CSA B651 compliant when installed to the specific requirements of these regulations.

Plumbing codes may require elongated toilets and elongated, open-front seats in public bathrooms.

Accessibility standards may require controls to be located on the open side of the toilet.