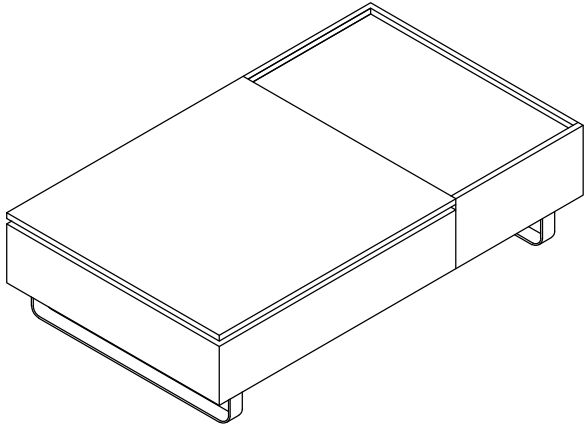
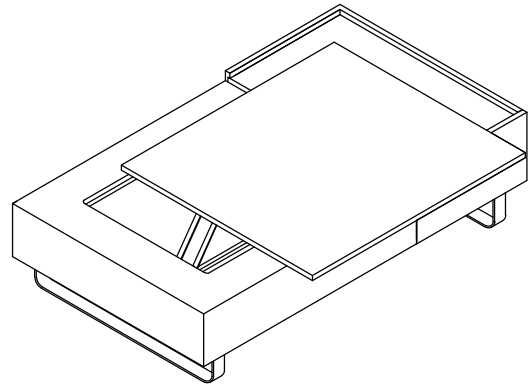


Finished Product



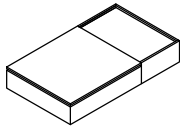
The top can be lifted up



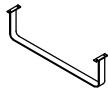
Part Identification

Hardware

(1)x1



(2)x2



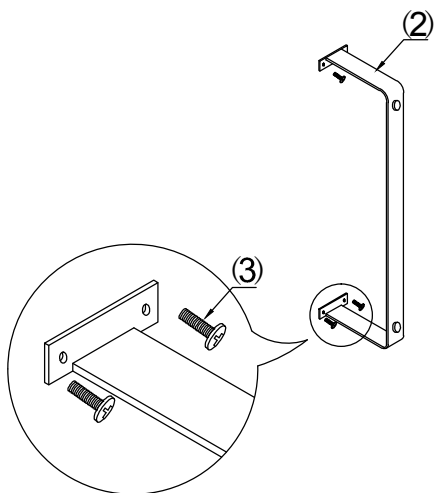
(3)x8



M6x14

Assembly Steps

Step 1



Step 2

