

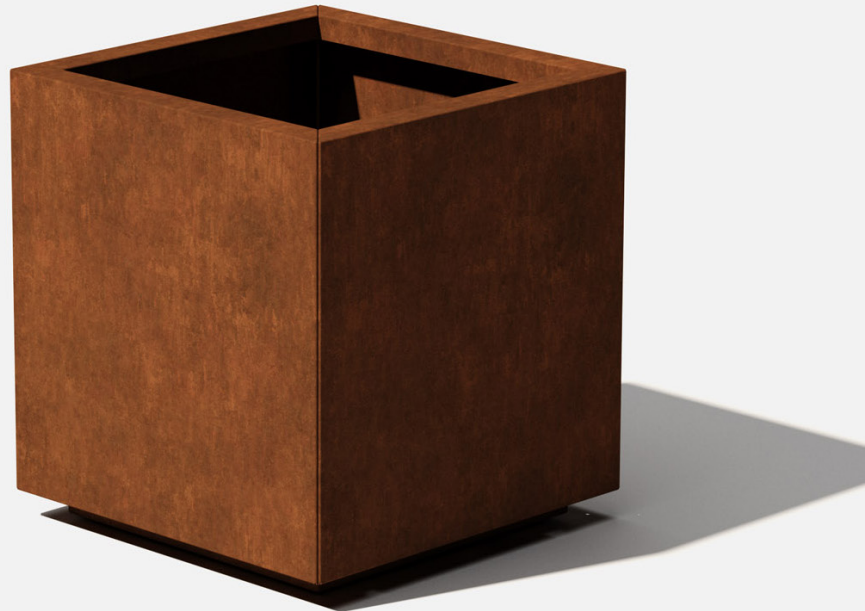
veradek ——— outdoor

CORTEN SERIES

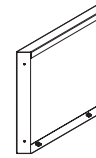
cube
instructions



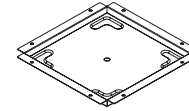
parts and components



all sizes



side panels
x4



bottom panel
x1



allen key
x1

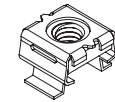
cube small



wing nuts
x8



bolts
x16



floating nuts
x8

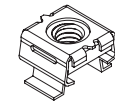
cube medium



wing nuts
x12



bolts
x20



floating nuts
x8

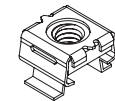
cube large



wing nuts
x12

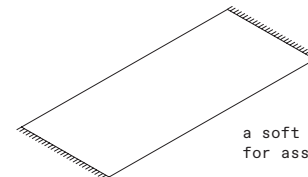


bolts
x24



floating nuts
x12

not included

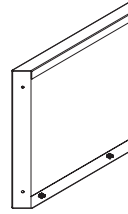


a soft working surface
for assembling your items

step 1



floating nuts → x8 (small/medium)
→ x12 (large)



side panels x4

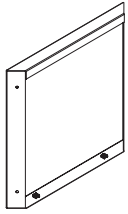
step 2



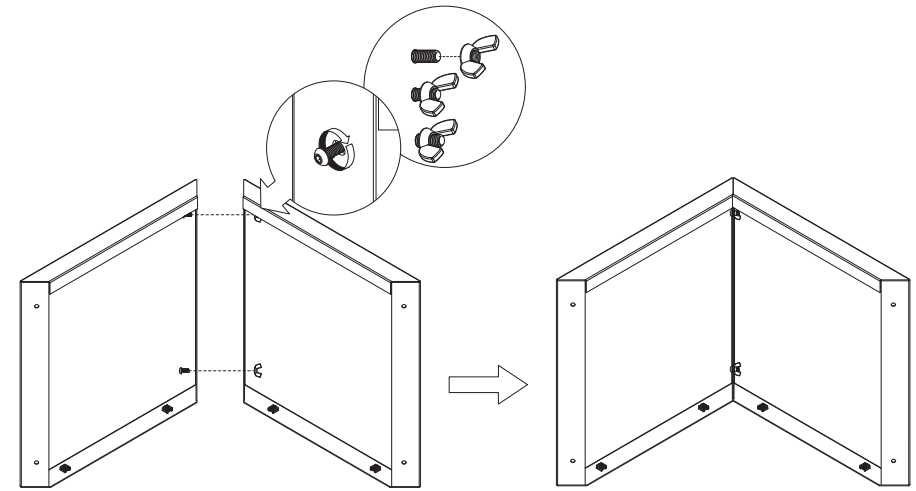
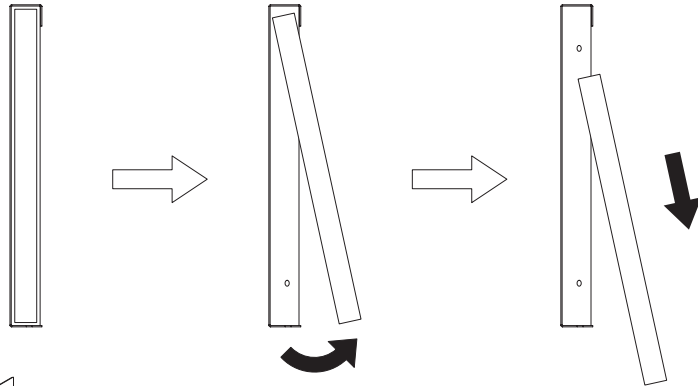
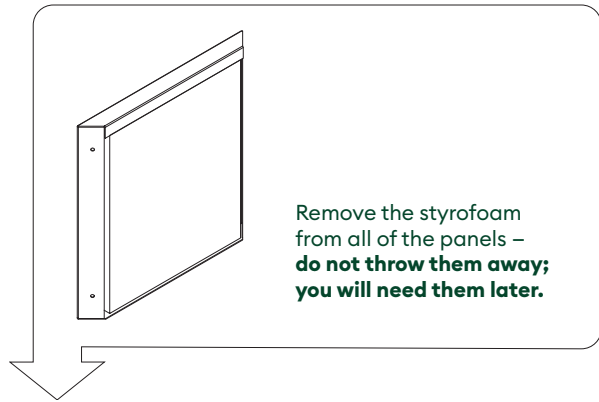
wing nuts → x8 (small)
→ x12 (medium/large)



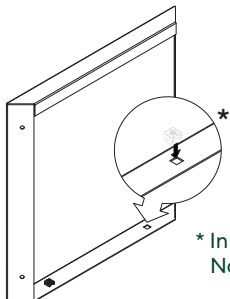
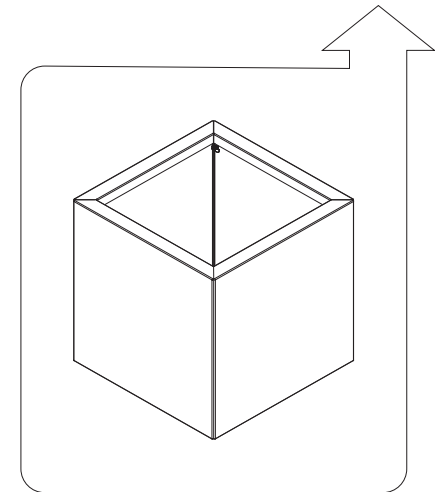
bolts → x8 (small)
→ x12 (medium/large)



side panels x4

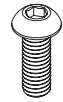


Fasten the panels together using the nuts and bolts provided. Ensure that the bottom holes are facing downward. Hand tighten only.

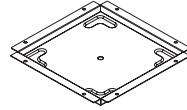


* In transit, the floating nuts may dislodge from the panels. No need to worry; they can be easily reinserted into place.

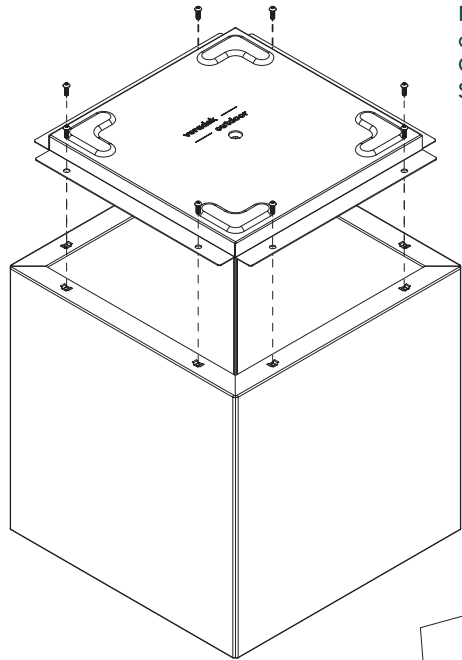
step 3



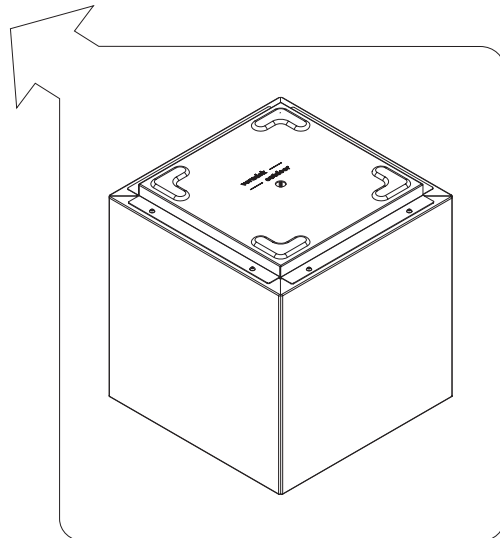
bolts x8 (small/medium)
 x12 (large)



bottom panel x1



Flip the body over so the bottom panel holes are facing up.
Connect the bottom panel to the main body.
Screw bolts into floating nuts and tighten.

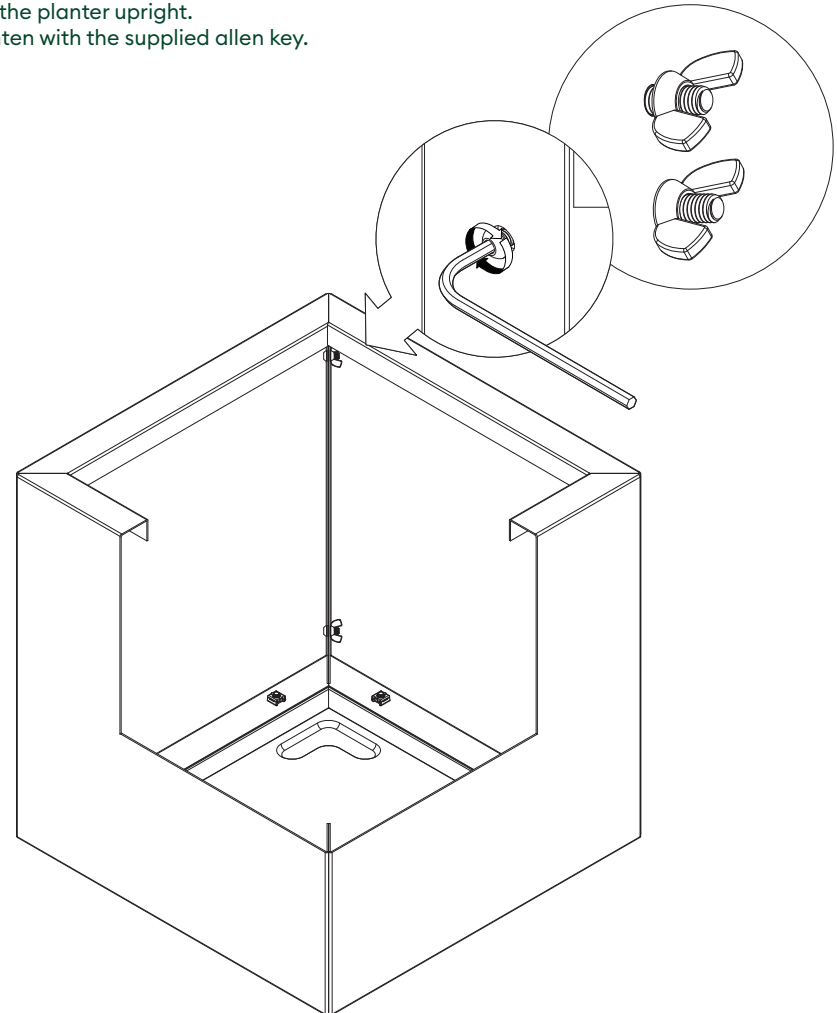


step 4



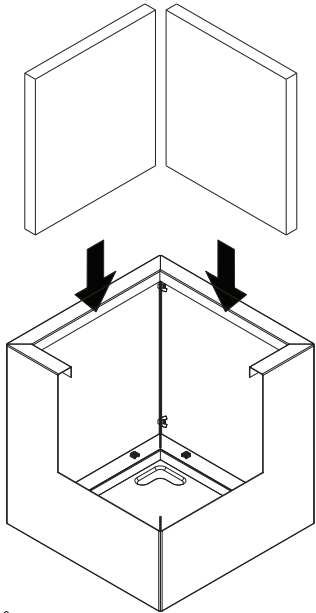
allen key x1

Flip the planter upright.
Tighten with the supplied allen key.

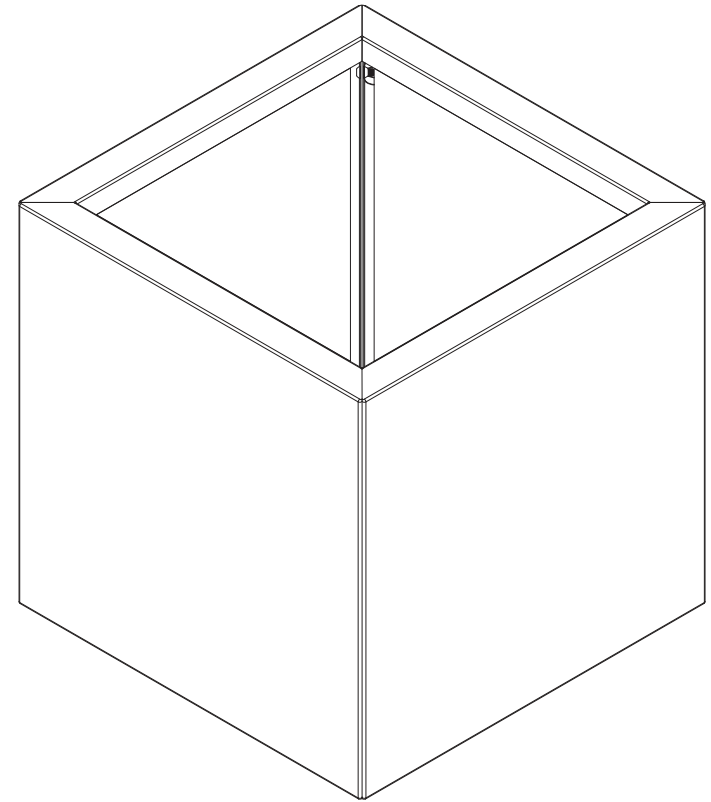
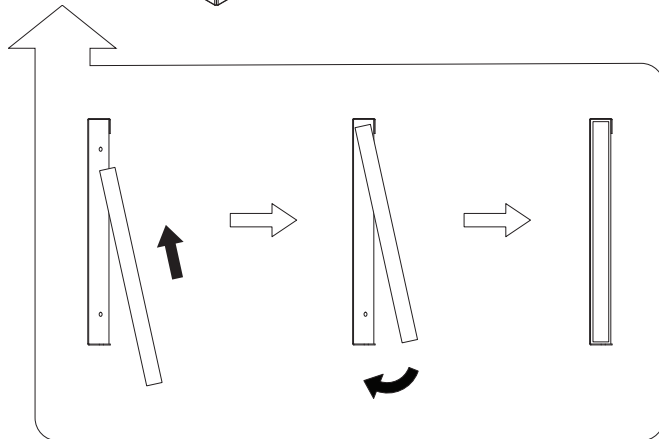


step 5

complete



You can now place the styrofoam back into the panels. It will act as insulation against extreme heat and cold.



share your outdoor space with **#MYVERADEK**

meet the *family*

Hi! We're the Corten Steel Planter Series, and we make warming up your space easy. With clean, simple corners coated in rich, rusted hues, we add a cozy touch that makes your outdoor space feel right at home.



01 round bowl - 02 pedestal - 03 long box - 04 garden bed
- 05 cube - 06 span - 07 window box



meet you
outside

veradek ——— outdoor