



# CAL LIGHTING

3625 E. Philadelphia St. Ontario CA. 91761. Tel: 909.947.5200. Fax: 909.947.5673. www.calighting.com. service@calighting.com.  
Specifications subject to change without notice

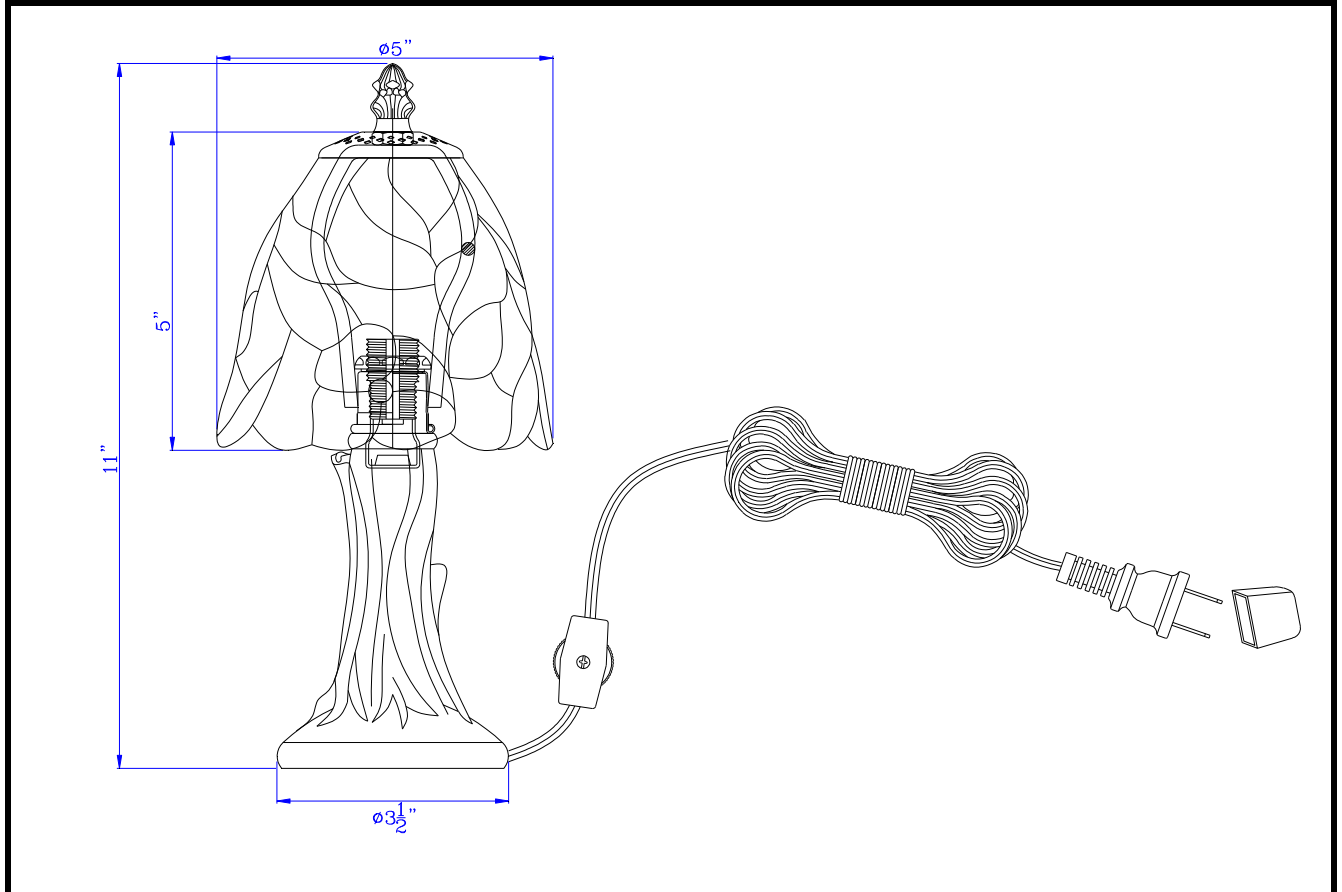
Type: \_\_\_\_\_

Project: \_\_\_\_\_

Catalog No.: \_\_\_\_\_

BO-3114AC

Lamp/Wattage: \_\_\_\_\_



- Model No:** BO-3114AC
- Description:** 25W metal/resin Tiffany accent lamp with inline switch
- Material:** Resin
- Finish :** Dark Bronze
- Height:** 11"
- Base Width:** Dia.3 1/2"
- Wattage :** 25W
- Socket :** Candelabra Base (E12)
- Switch:** ON/Off In-line
- Bulb:** Incandescent
- Wire Length:** 6'
- Wire Color:** Brown
- Shade No:**
- Material:** Tiffany
- Shade size:** Dia.5" H5"
- Certificate :** 