



SPECIFICATIONS

COS-63ISS90 Range Hood



Size	36 Inch
Mounting Type	Island Mount
Controls	Soft Touch with LCD Display
Filters	3 x Stainless Steel Baffle Filters
Material	430 Grade Stainless Steel
Air Flow	380 CFM
Noise Level	45 dB*
Vent Style	External
Lighting	4 x LED, Each Corner
Voltage	120V / 60Hz
Wattage	196W
Included Components	Bulb(s), Damper, Exhaust Vent, Fan Hardware, Installation Kit, Power Cord

COS-63ISS90

The perfect centerpiece for any modern kitchen, Cosmo's COS-63ISS90 is powered by 380 CFM of suction, soft touch controls, LED lights and dishwasher safe ARC-FLOW® Permanent Filters.

Features

- Designed for island mounting
- 3 fan speeds
- 380 CFM airflow capacity
- Soft touch controls with LCD display
- ARC-FLOW® Permanent Filters
- 4 LED lights in each corner
- Noise level as low as 45 dB*
- 20-Gauge, 430 grade stainless steel



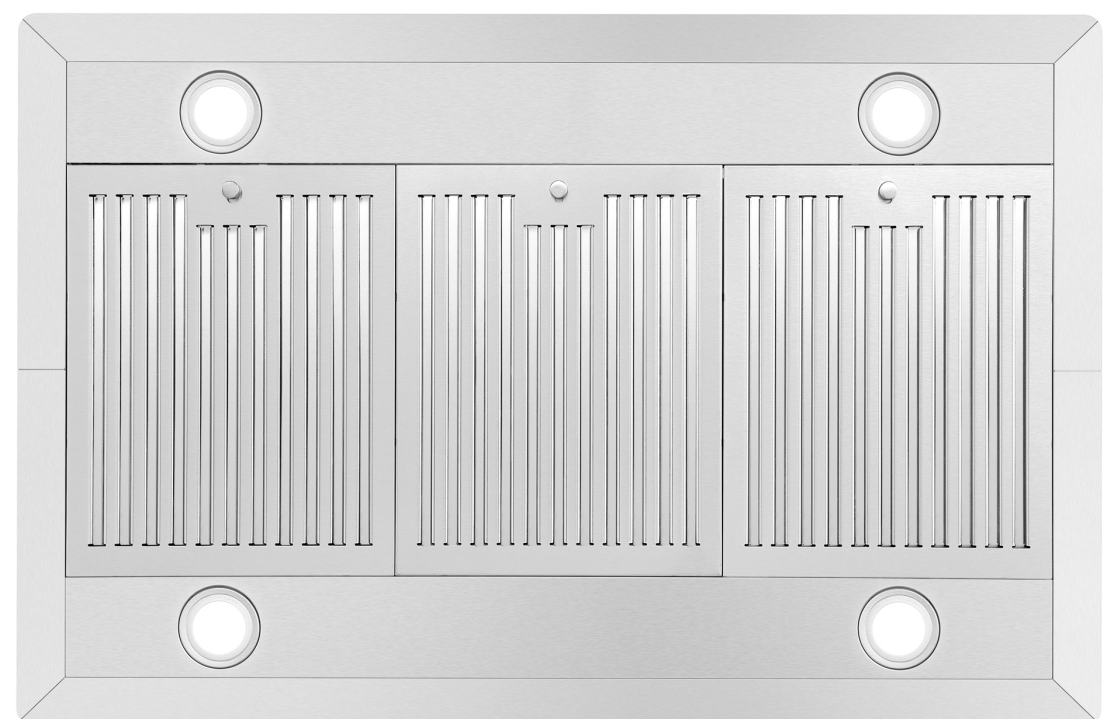
3 Fan Speeds



Soft Touch Controls



LED Lighting



See Page 2 for dimensions

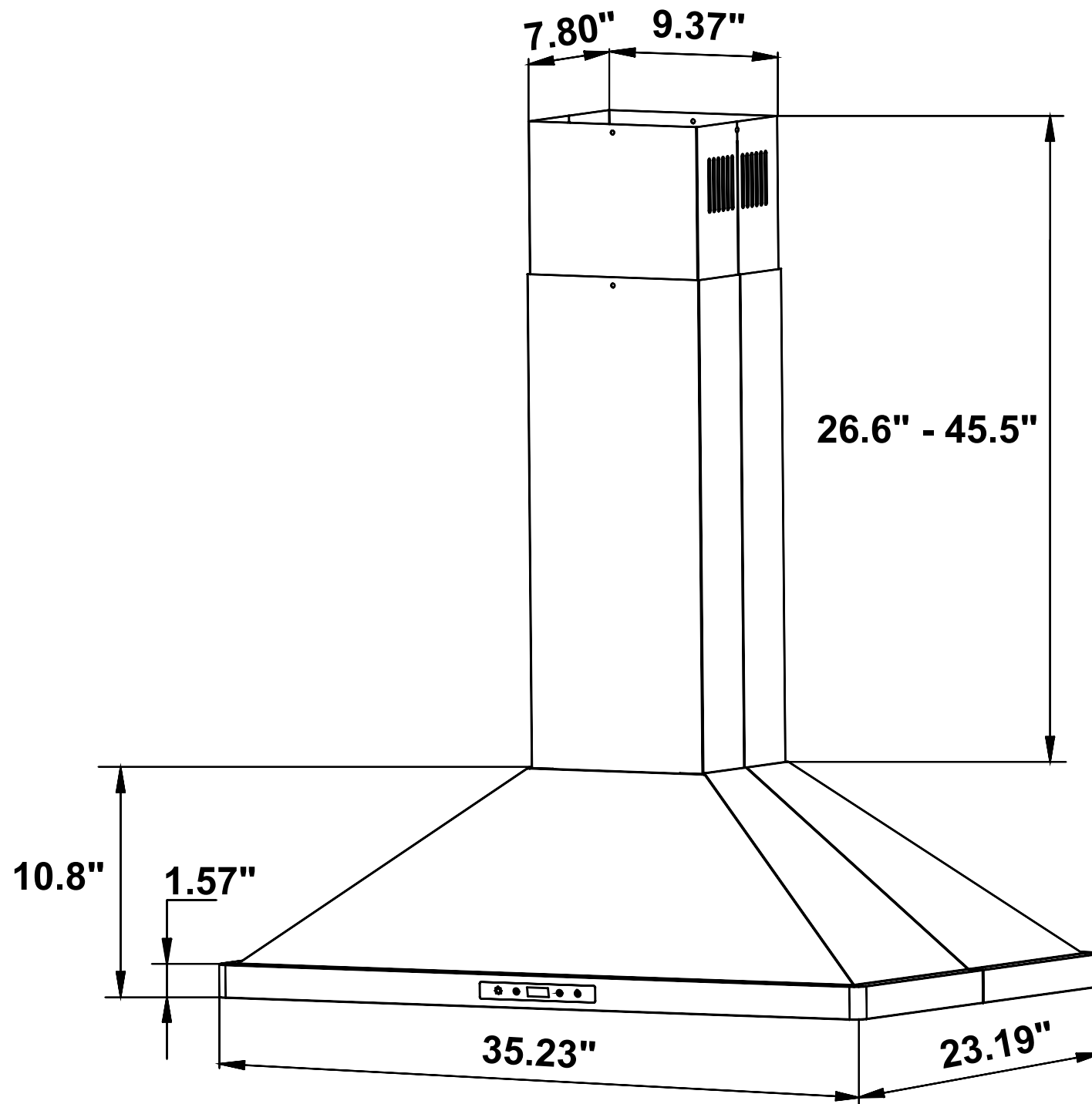
For more information, please visit: www.cosmoappliances.com

* Noise level as low as 45 dB on lowest fan speed with rigid ducting (sold separately) under optimal conditions



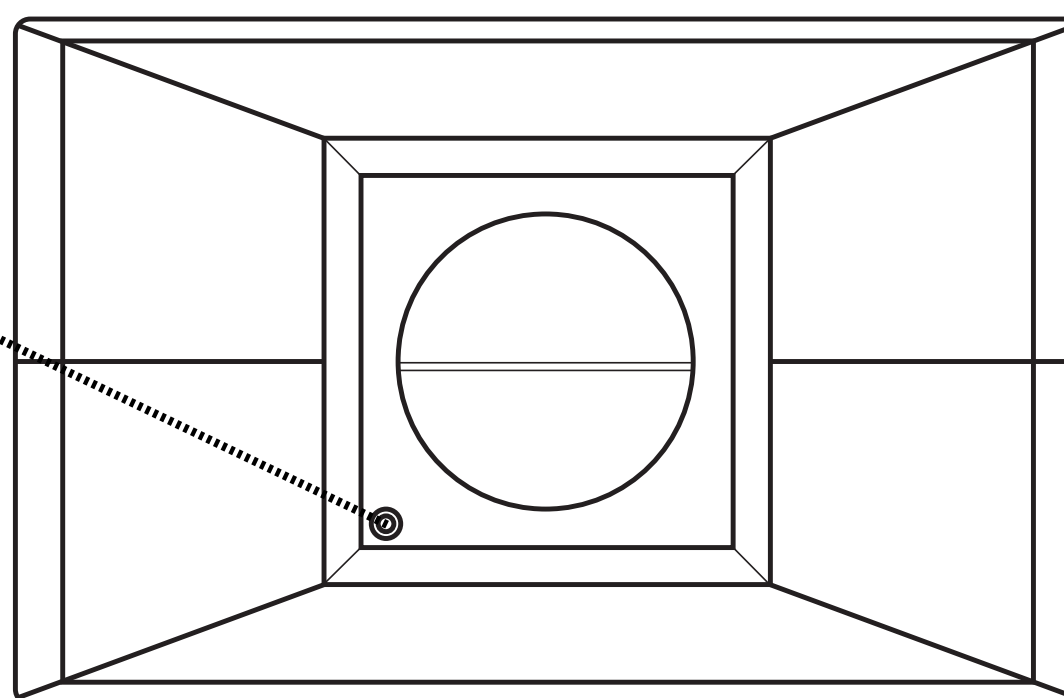
DIMENSIONS

COS-63ISS90 Range Hood



Vent Hole Diameter: 6 in.

**Location of
3-Prong Plug**



TOP VIEW

Dimensions (WxDxH): 35.2" x 23.2" x 37.4-56.3"