

# KHU29

## 28 1/2 Inch Undermount Single Bowl Stainless Steel Kitchen Sink

# Kräus<sup>®</sup>

### SPECIFICATION SHEET

#### Sink Dimensions

Overall Dimensions: 28 1/2" x 18 1/2"

Bowl Dimensions: 27" x 17"

Sink Depth: 10"

#### Features

- 16 Gauge Stainless Steel Construction
- Single Bowl Undermount Handmade Sink
- Required Minimum Cabinet Size: 33" Left to Right, 24" Front to Back
- Rear Center-Set Drain
- 3 1/2" Drain Opening
- NoiseDefend Undercoating and Sound Dampening Pads

#### Accessories Included

- Strainer ST-3
- Bottom Grid KBG-H29
- Cut-Out Template
- Mounting Hardware
- Towel

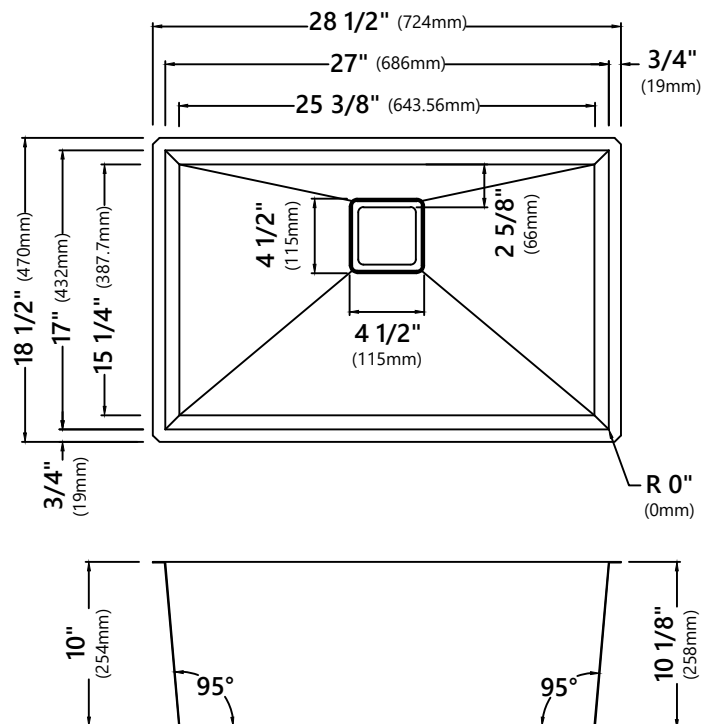
#### Optional Accessories

- Garbage Disposal Adapter GDA-1

#### CODES/STANDARDS:

##### Product Certification

cUPC (ASME A112.19.3/CSA B45.4)



#### Warranty

Kraus Limited Lifetime Warranty

see website for details [www.kraususa.com](http://www.kraususa.com)

Kraus USA Customer Service

1.800.775.0703 | [customerservice@kraususa.com](mailto:customerservice@kraususa.com)

REV. July 15, 2020

## KBG-H29

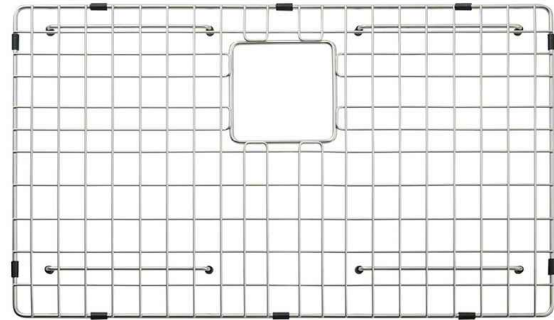
### Stainless Steel Kitchen Sink Bottom Grid

#### Grid Dimensions

Overall Dimensions: 25" x 15" x 1 1/8"

#### Features

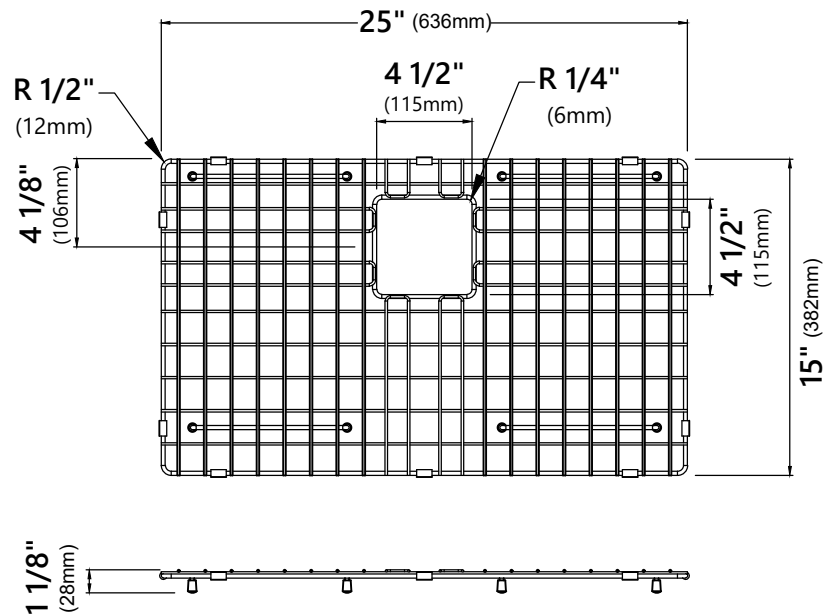
- Commercial grade stainless steel construction
- For Use with the KHU29 kitchen sink
- Protects bottom of sink from daily wear and tear
- Rubber feet provide additional protection



#### Warranty

Kraus One Year Limited Warranty

see website for details [www.kraususa.com](http://www.kraususa.com)



## ST-3 Stainless Steel Strainer

### Strainer Dimensions

Overall Dimensions: 4 1/2" x 4 1/2" x 2 5/8"

### Features

- Premium Stainless Steel Construction
- Modern Square Drain Design
- Removable Strainer with Gasket for Secure Seal
- Designed to Use with all Pax™ and R0 Pro™ Series Sinks

### Warranty

Kraus Limited Lifetime Warranty

see website for details [www.kraususa.com](http://www.kraususa.com)

