



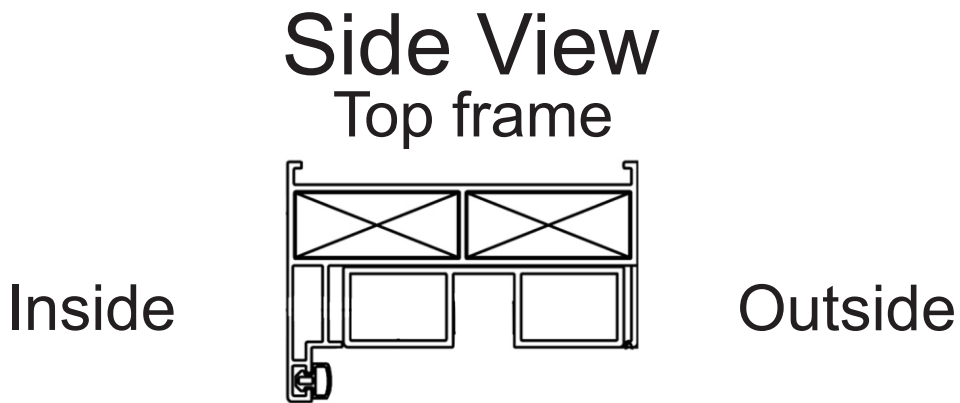
# Forever Doors

ALUMINUM BIFOLD DOORS

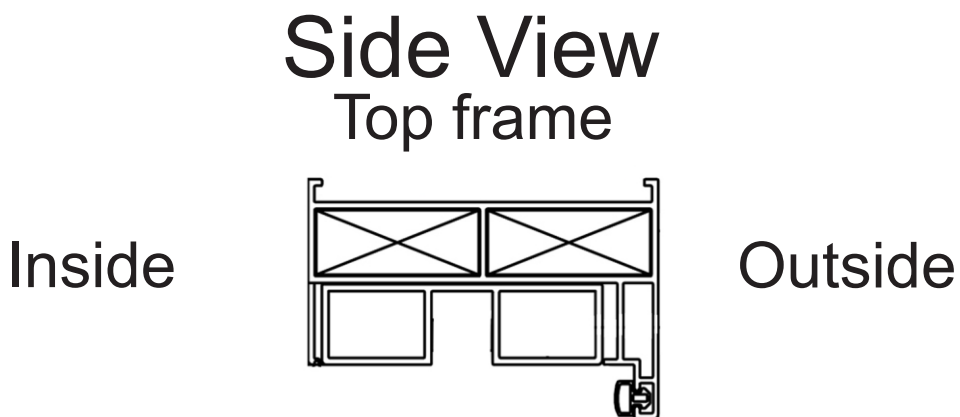
Installation Guide

## Step 0

Once you open your package,  
Identify the top frame before you install it.



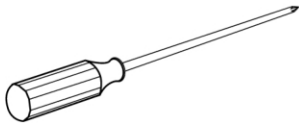
If your door swing outward, the top frame inside is bigger than outside



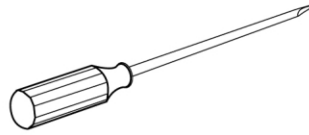
If your door swing inward, the top frame inside is smaller than outside

# RECOMMENDED TOOLS

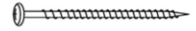
Here are recommended tools and materials which are not supplied, but are necessary to install your Bifold Doors.



Phillips Screwdriver



Flathead Screwdriver



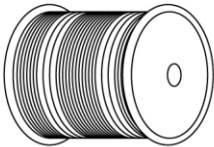
Screw



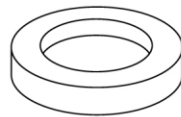
6' Spirit Level or Laser Level



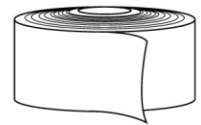
Allen Key



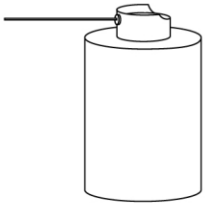
Cross Strings



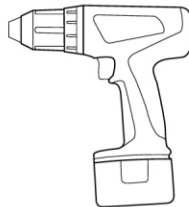
Blue Painters Tape



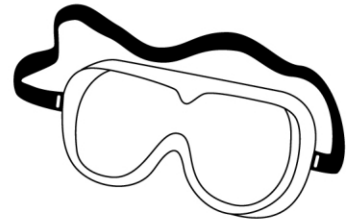
Flashing



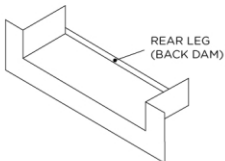
Foam Filler



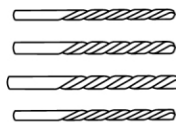
Drill/SDS Hammer Drill



Safety Goggles/Glasses



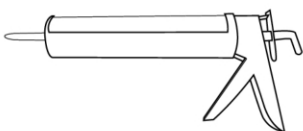
Sill Pan



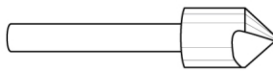
Drill Bit Index Set



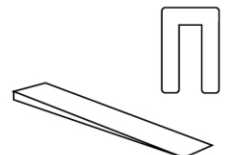
SDS Drill Bit



Sealant



Counter Sink



Wood & Plastic Shim

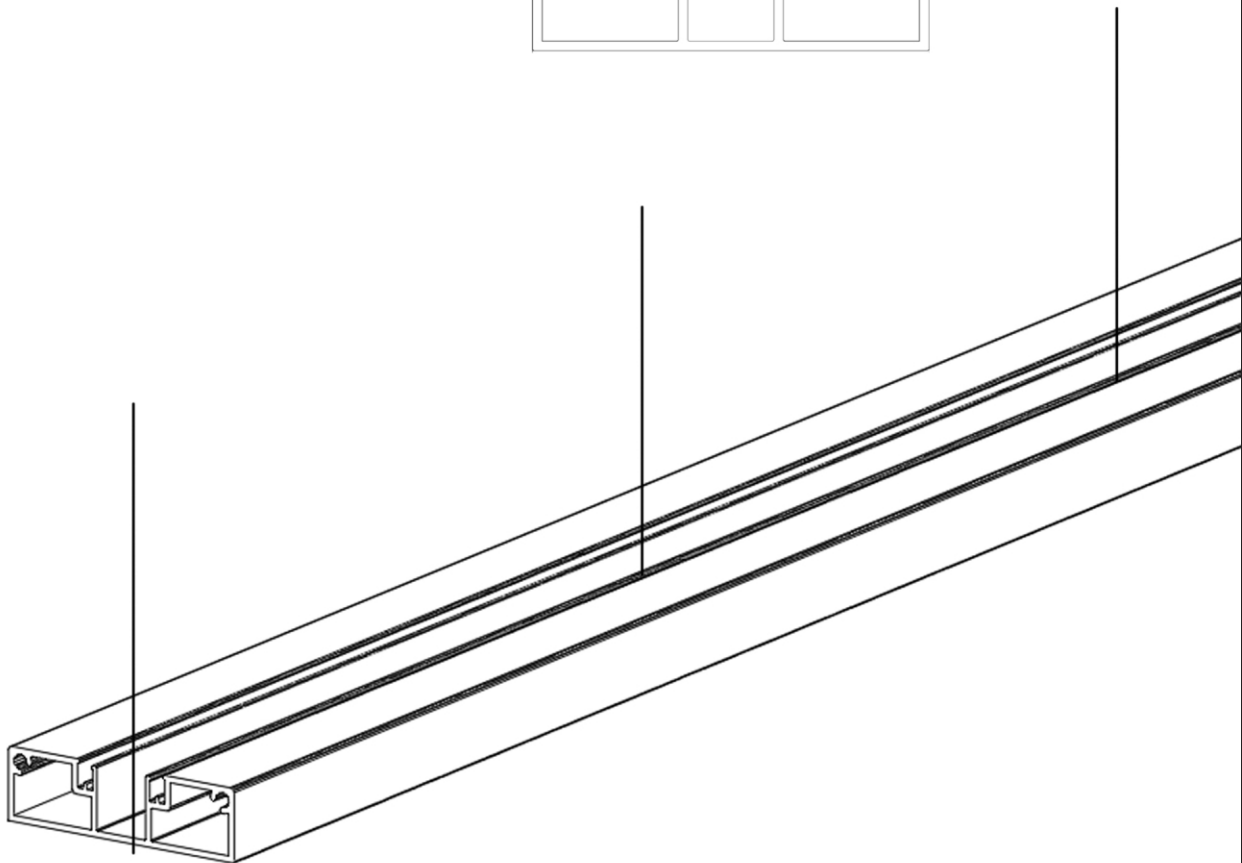
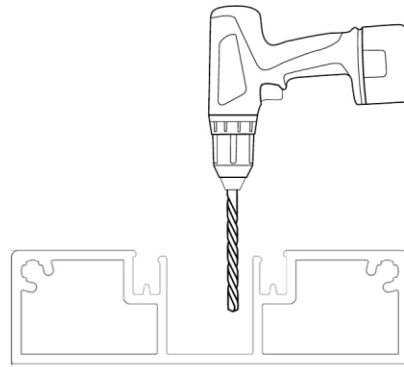
**NOTE:** Ensure all sealants and materials used are compatible.

# Step 1

## Pre-Drill Frame Components

### 1. Bottom frame

Using drill bit, pre-drill install holes in bottom track locking channel. One screw to be placed every 30" on center.

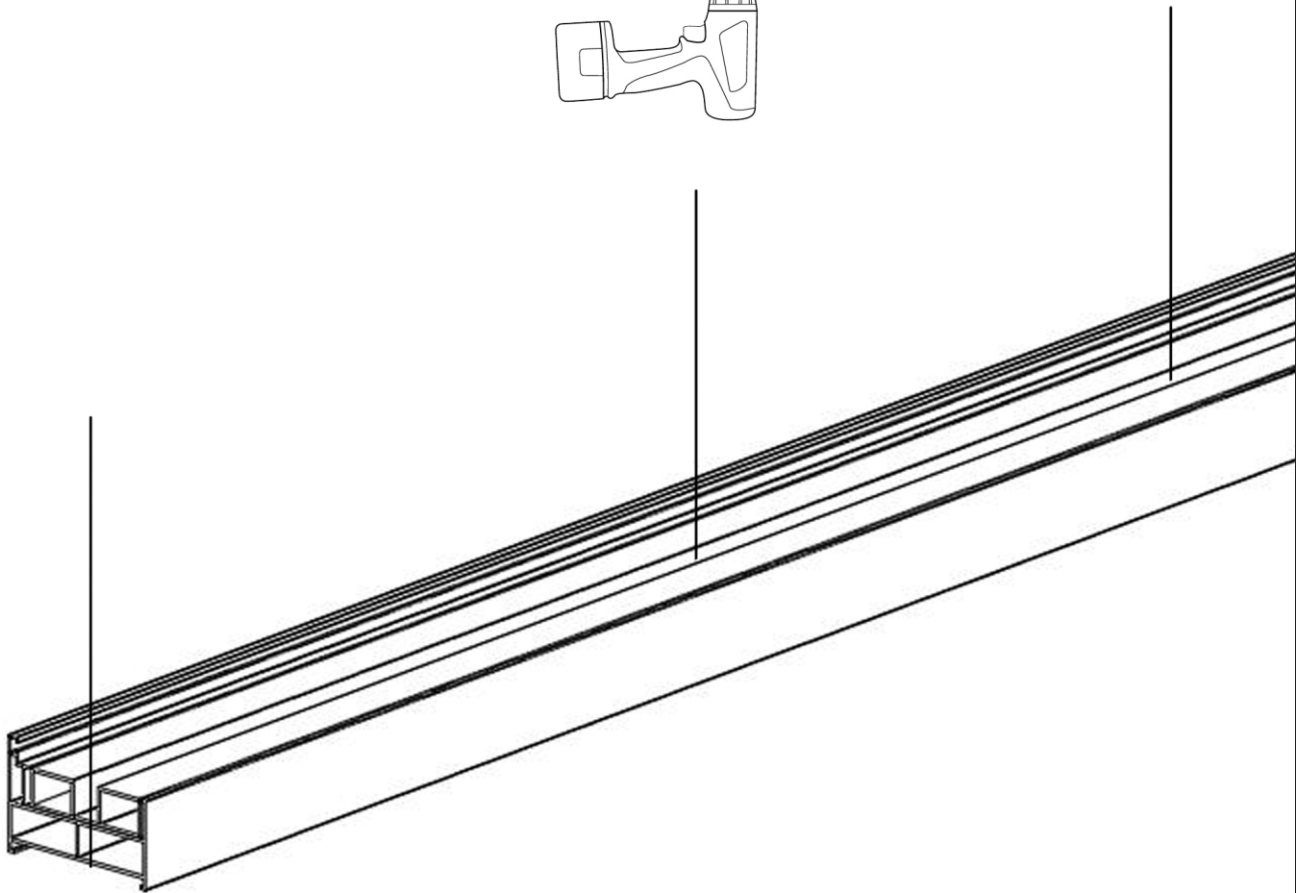
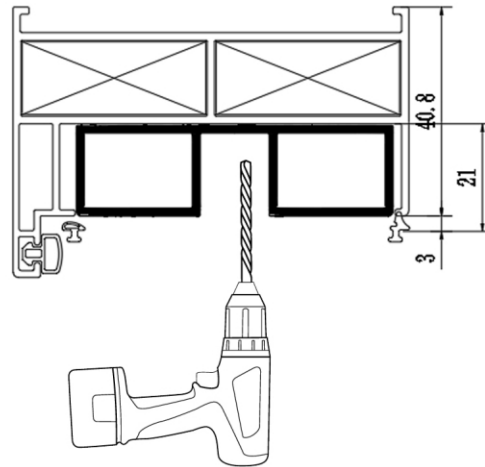


# Step 1

## Pre-Drill Frame Components

### 2. Top frame

Using drill bit, pre-drill install holes in top track locking channel. One screw to be placed every 30" on center.

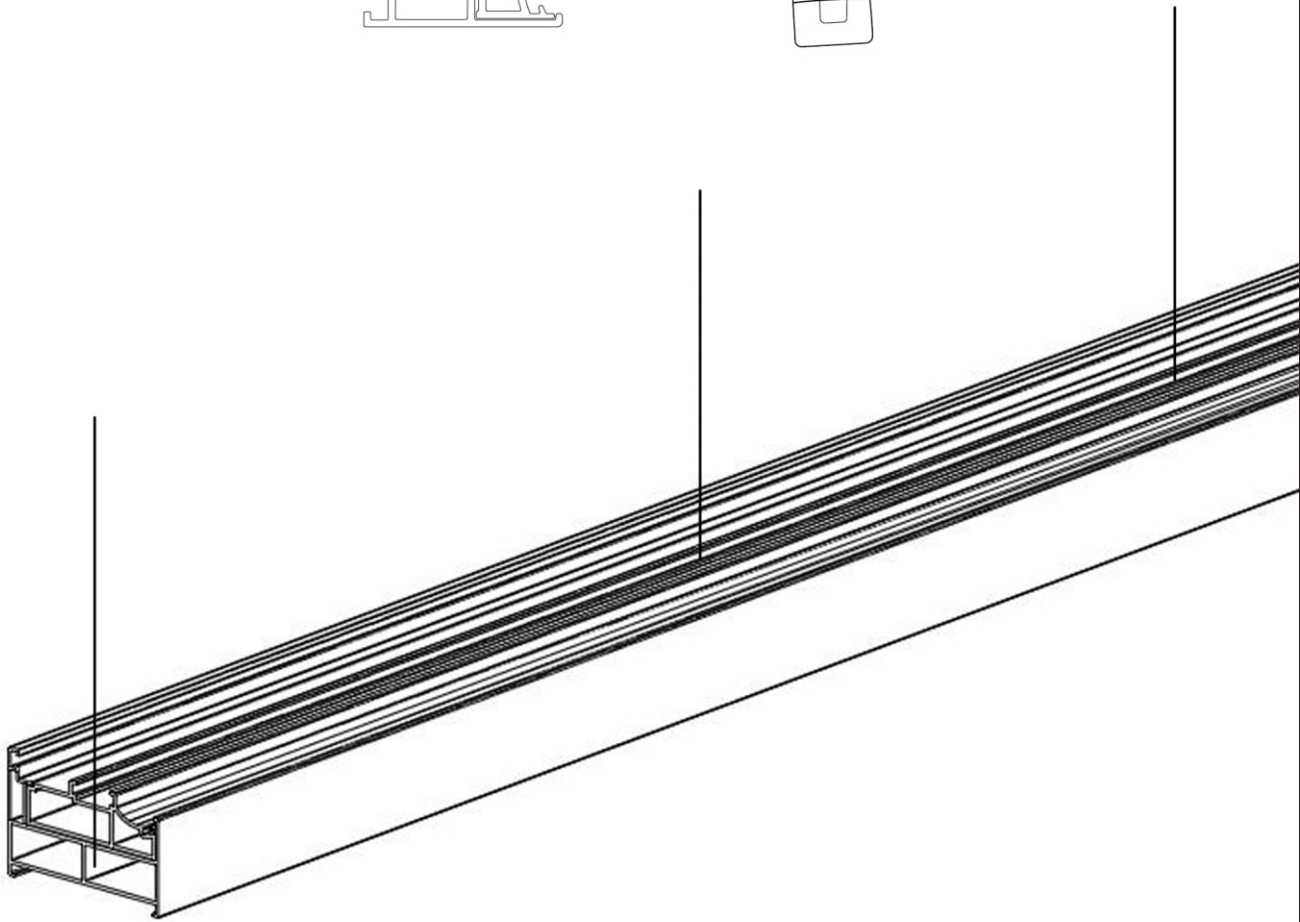
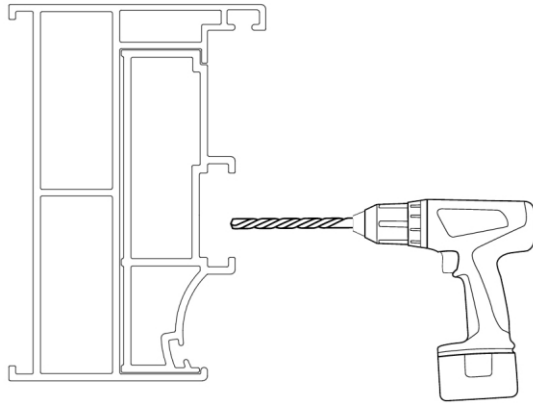


# Step 1

## Pre-Drill Frame Components

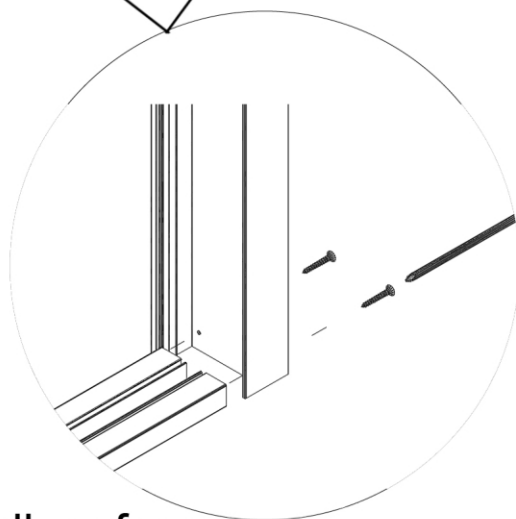
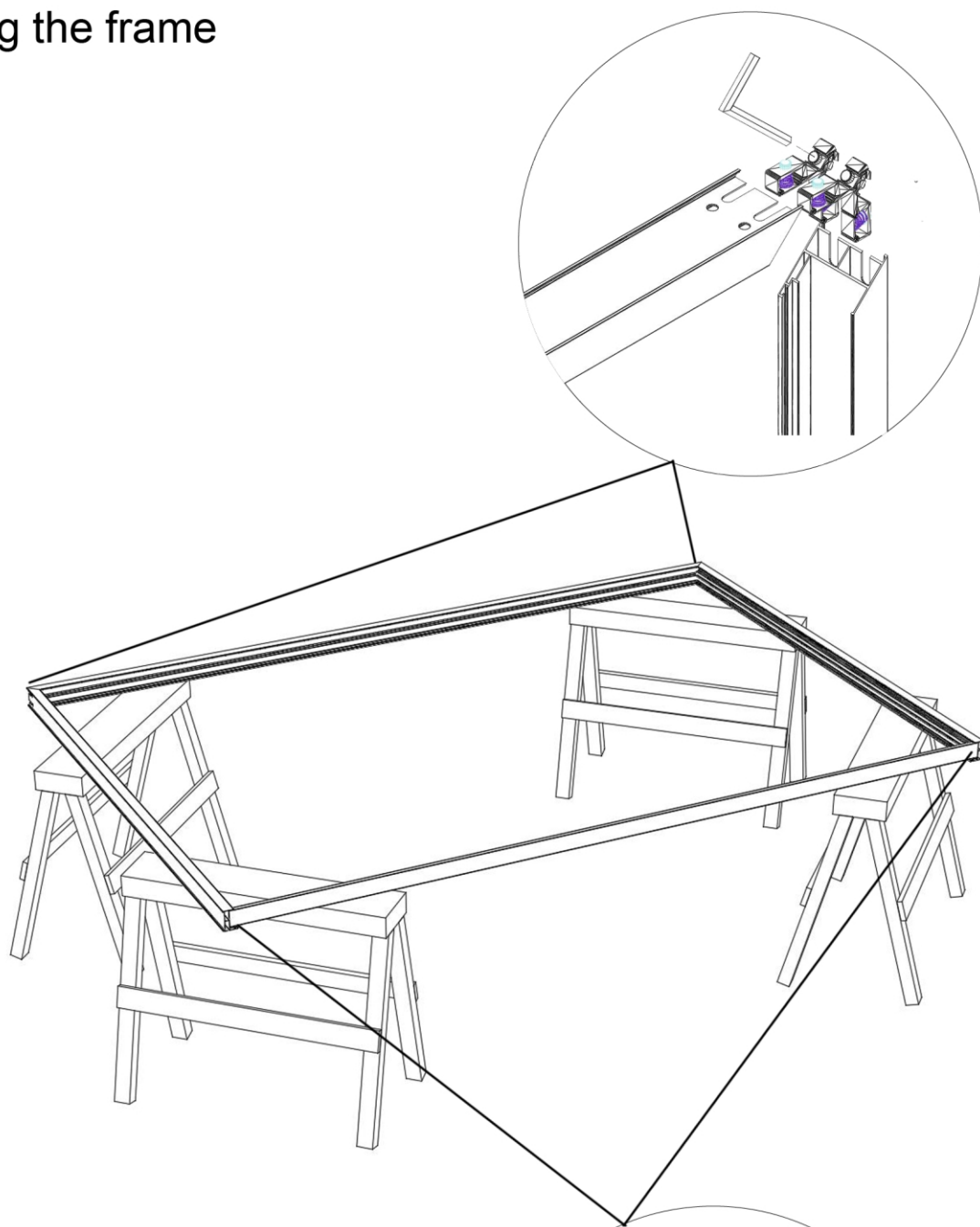
### 3. Side frame

Using drill bit, pre-drill install holes in side track locking channel. One screw to be placed every 30" on center.



# Step 2

## Joining the frame

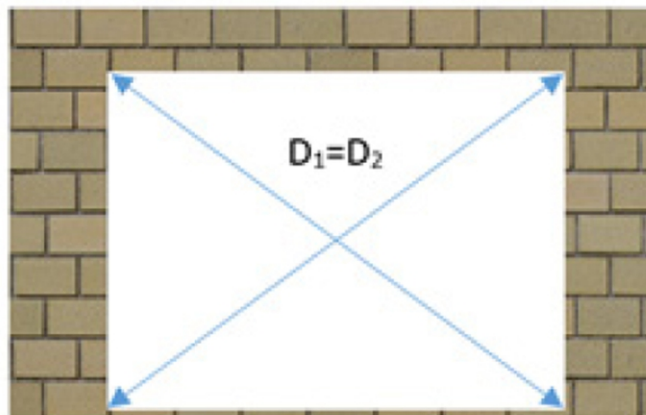
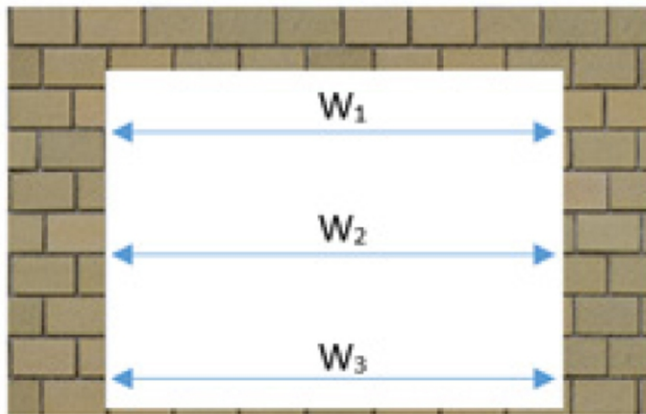
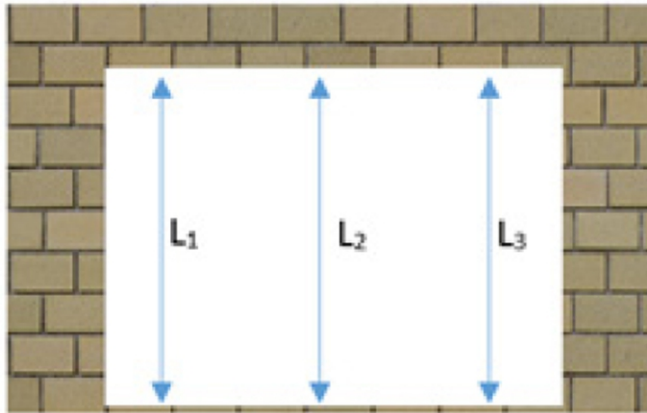


# Step 3

Site measurement

Measure the sizes again,

make sure  $L_1=L_2=L_3$ ,  $W_1=W_2=W_3$ ,  $D_1=D_2$



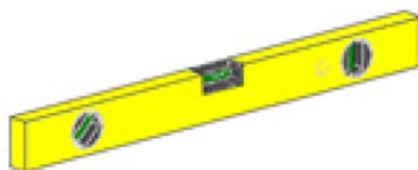
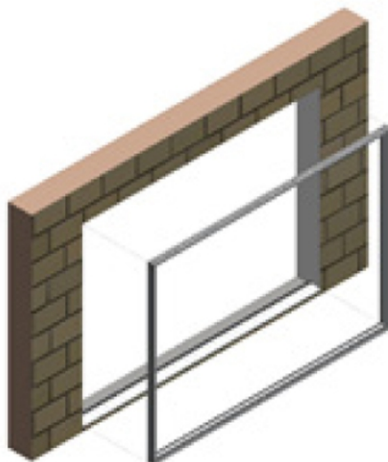


# Step 4

## Site measurement

Install the aluminium frame into the opening,

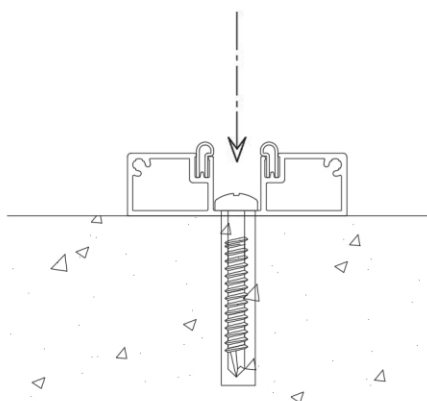
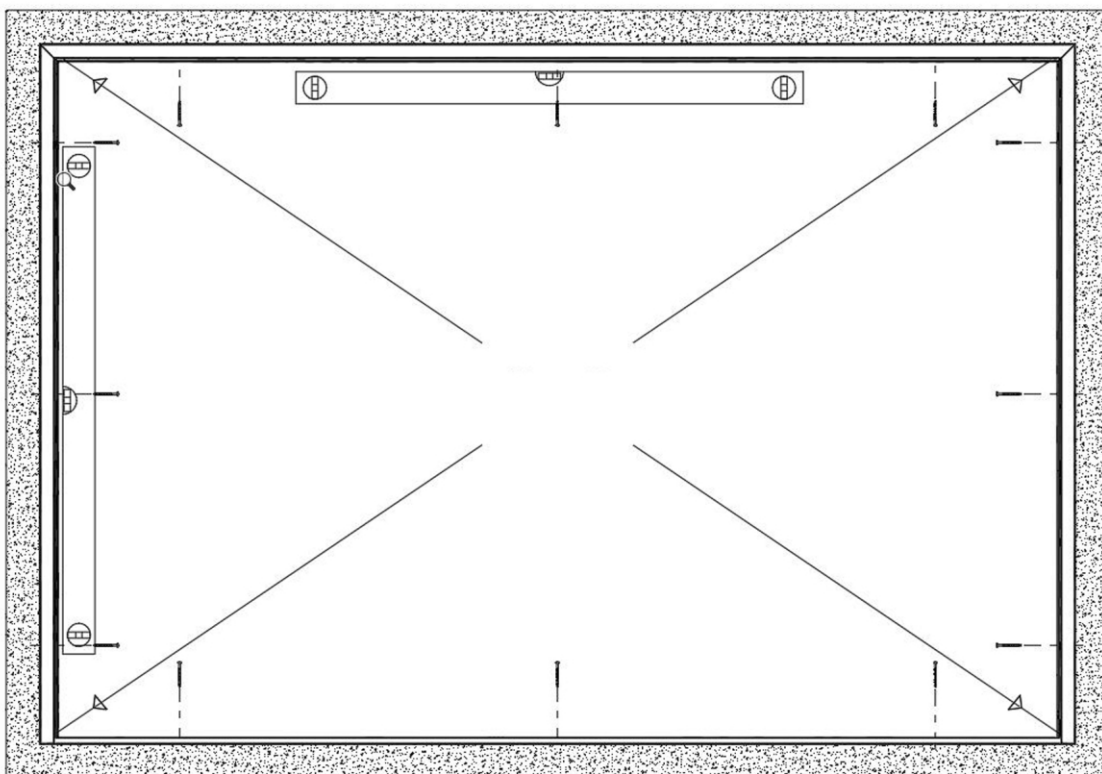
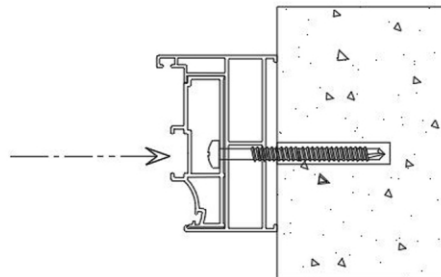
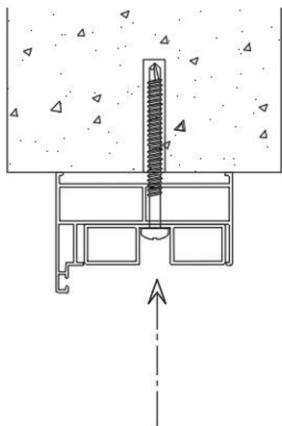
Check level (very important)



# Step 5

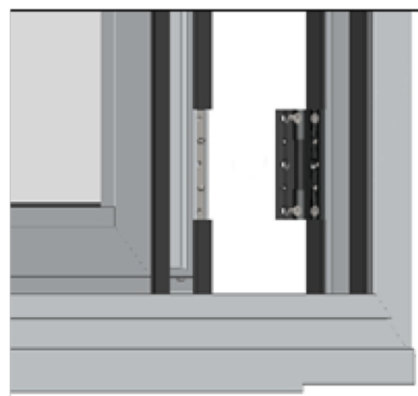
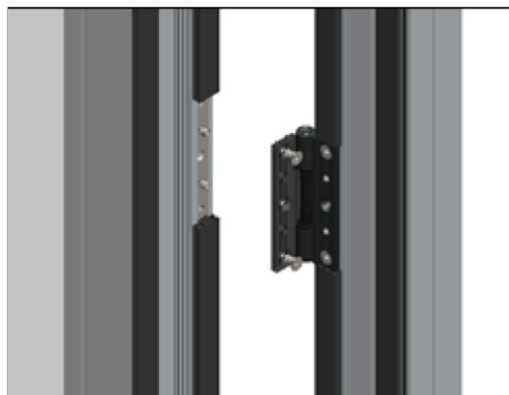
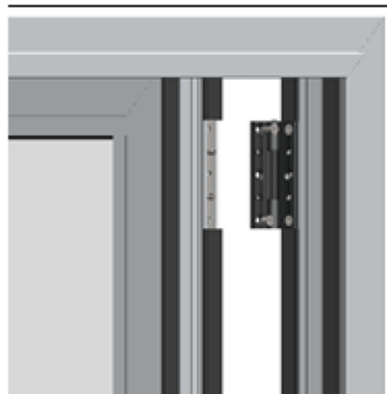
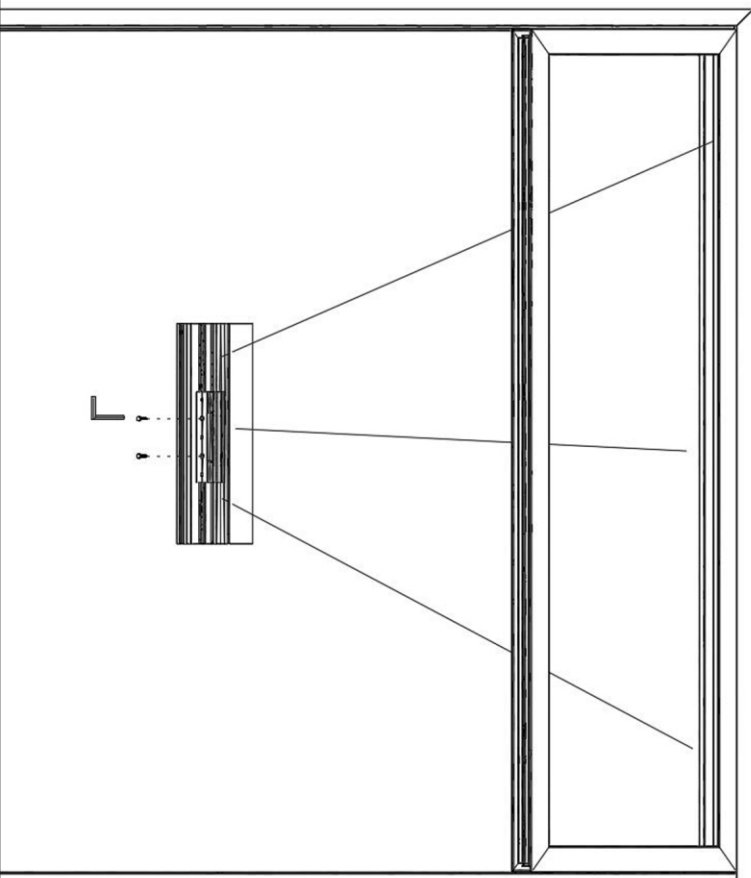
Install the frame

Screw the frame into the opening.



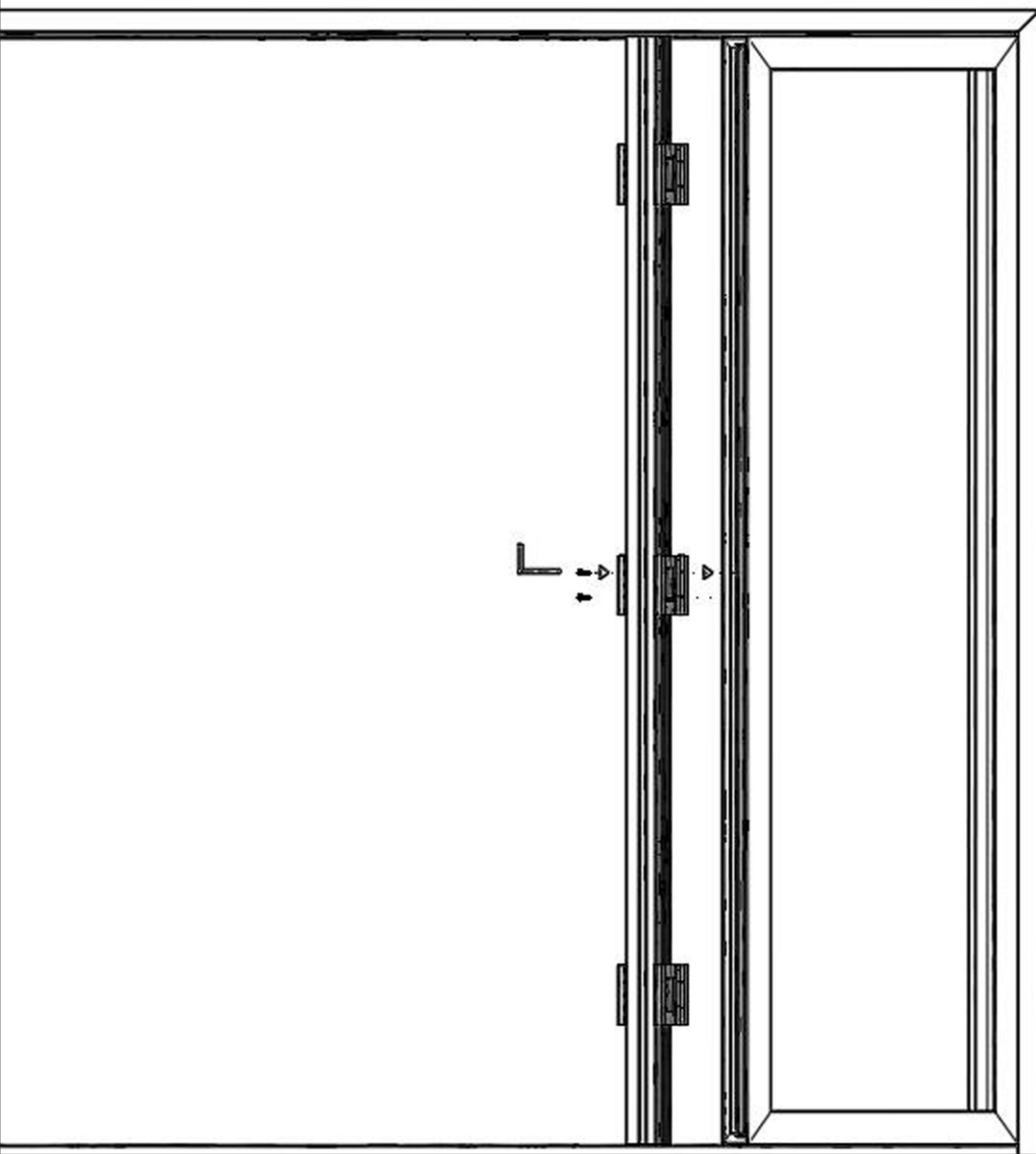
# Step 6

## Install the Panel



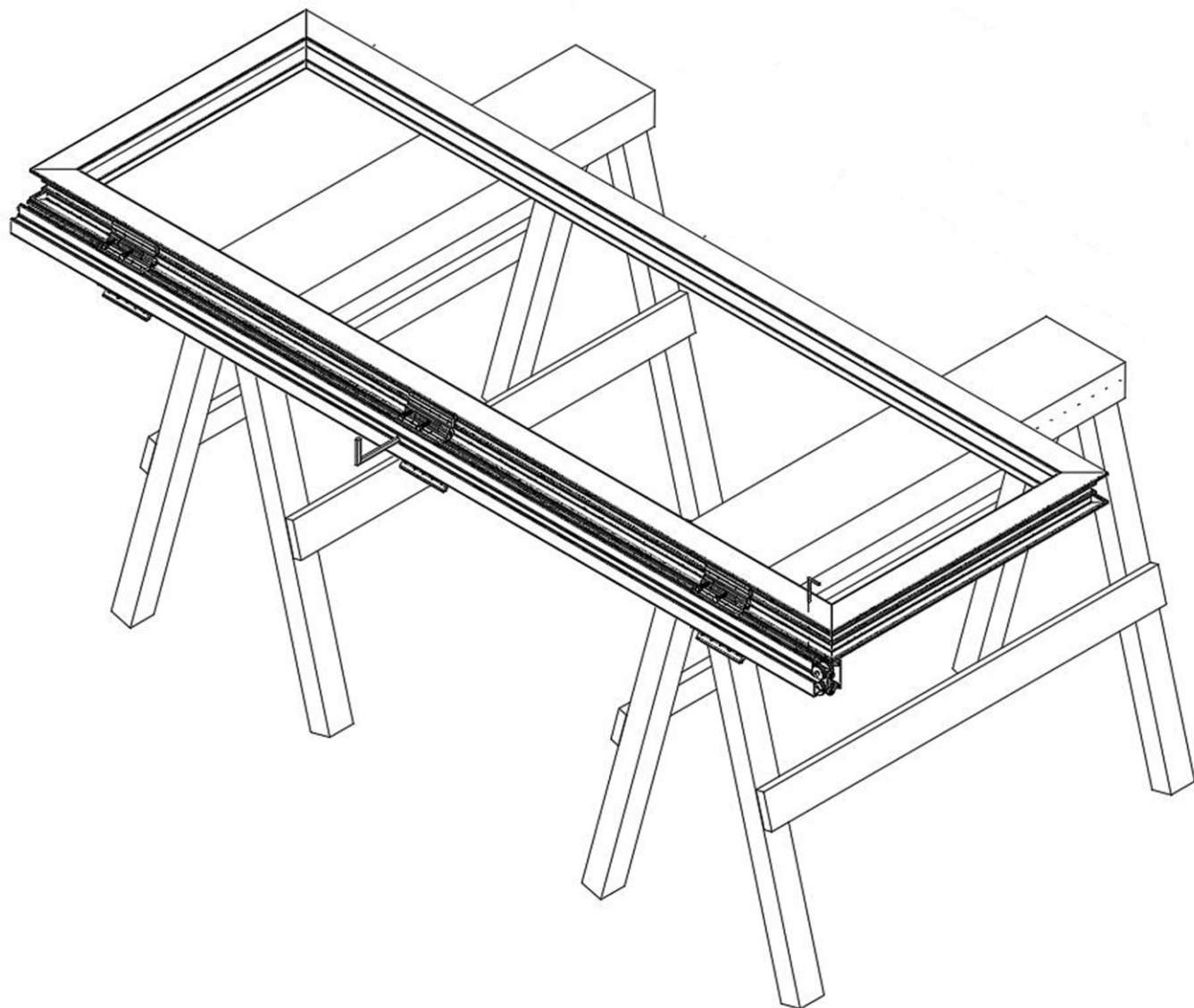
# Step 7

Install the connection frame



## Step 8

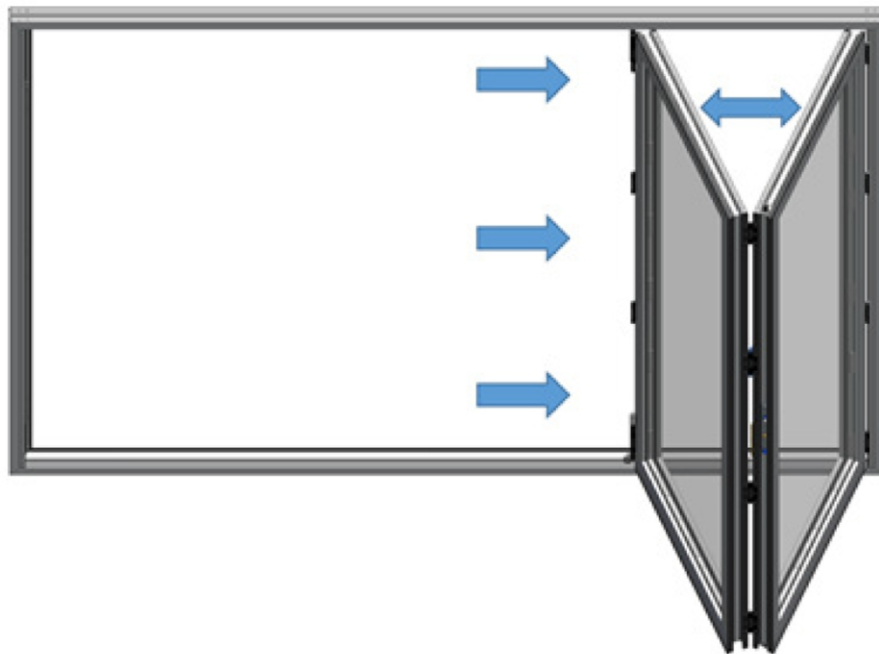
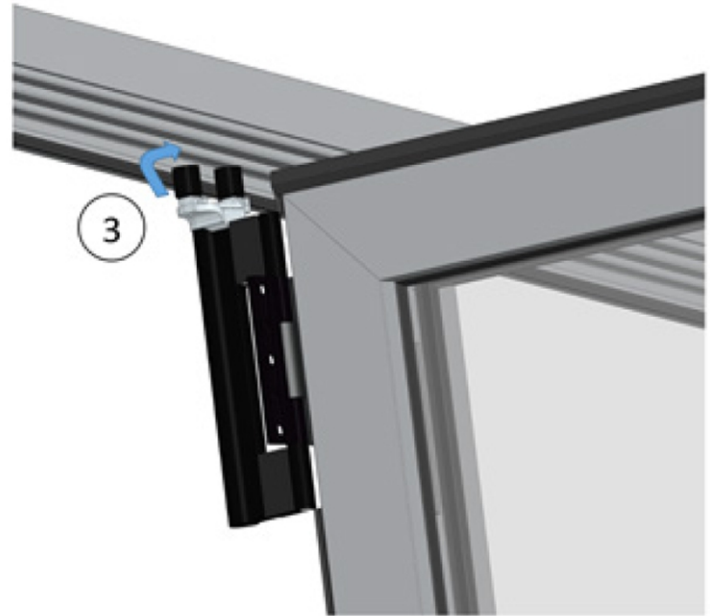
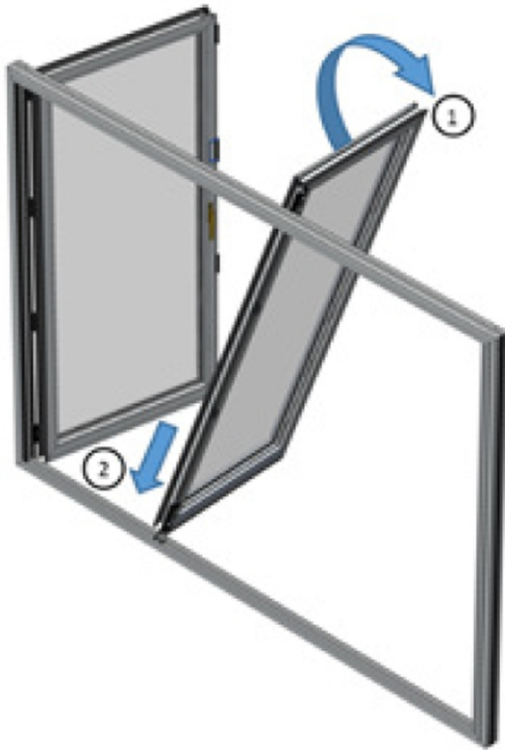
Combine the sliding connection frame with the second panel



The place where the label is attached is facing down.

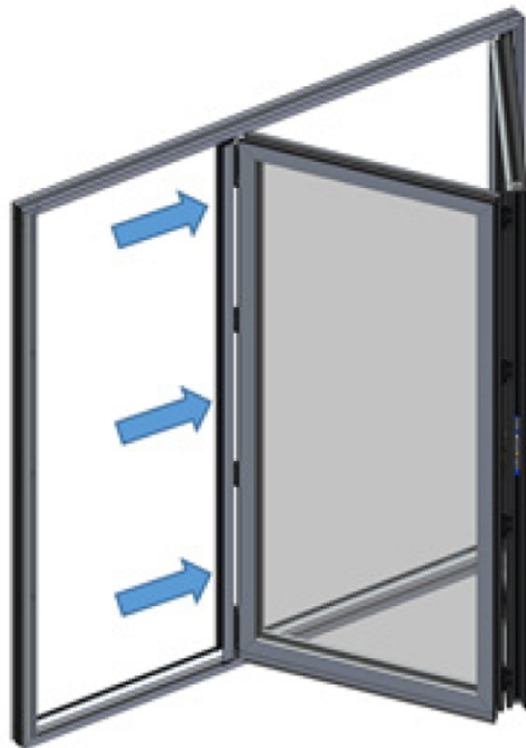
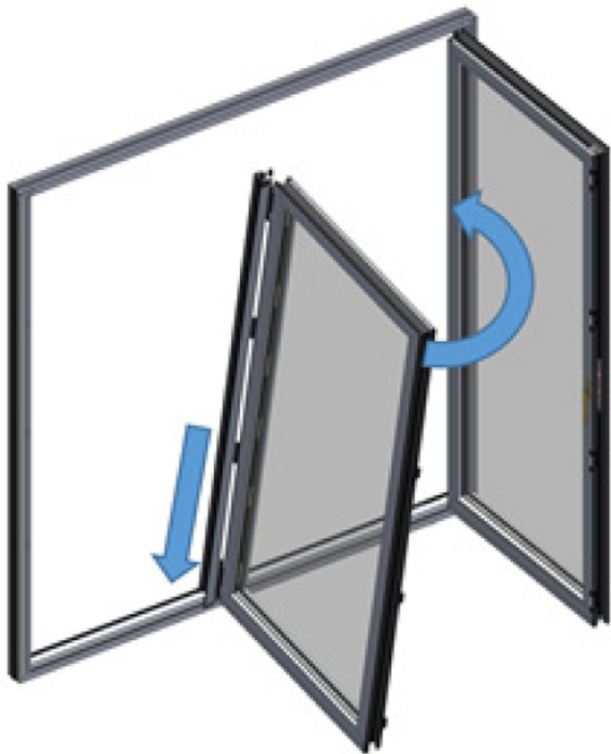
# Step 9

Install the second Panel



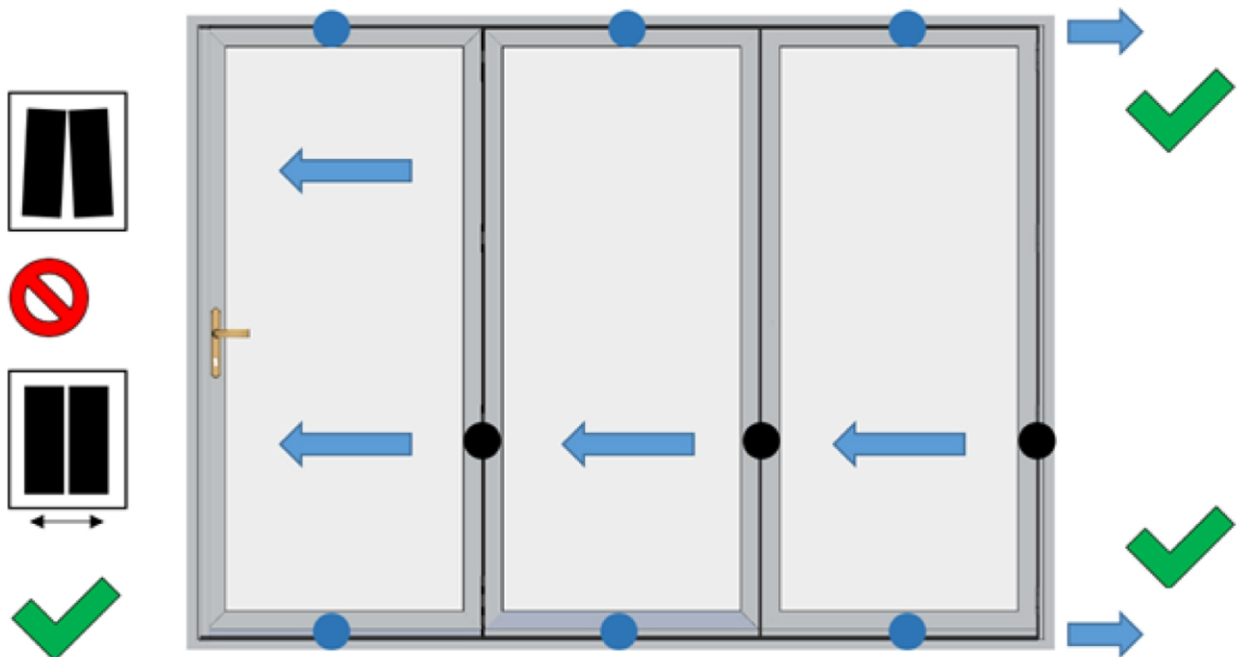
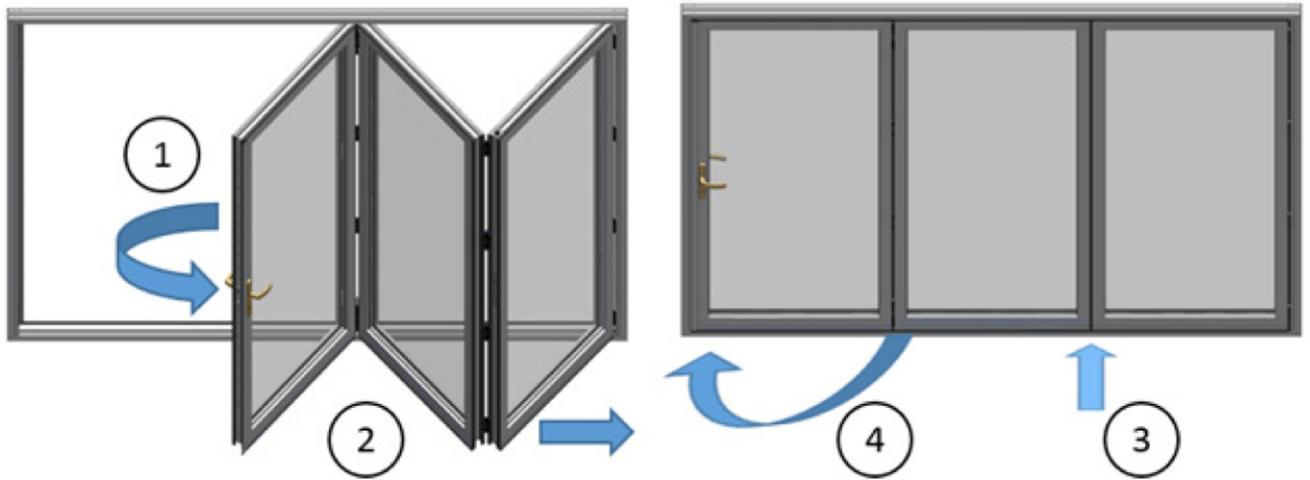
## Step 11

Repeat Step 9 and Step 10 until all the panels have been installed.



# Step 12

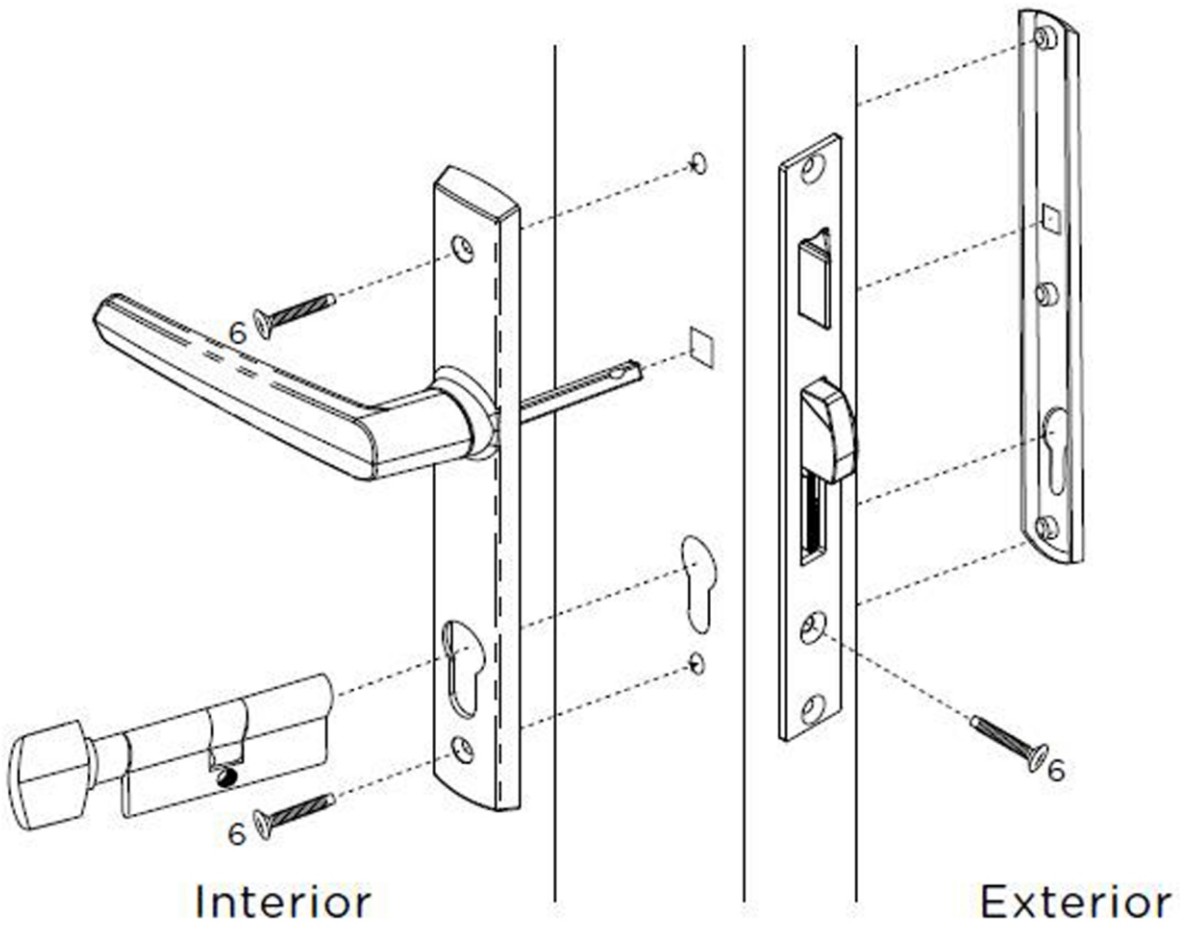
Test the Operation.





# Step 13

Install the handle.



# Step 14

Use sealant to seal the frame.

