




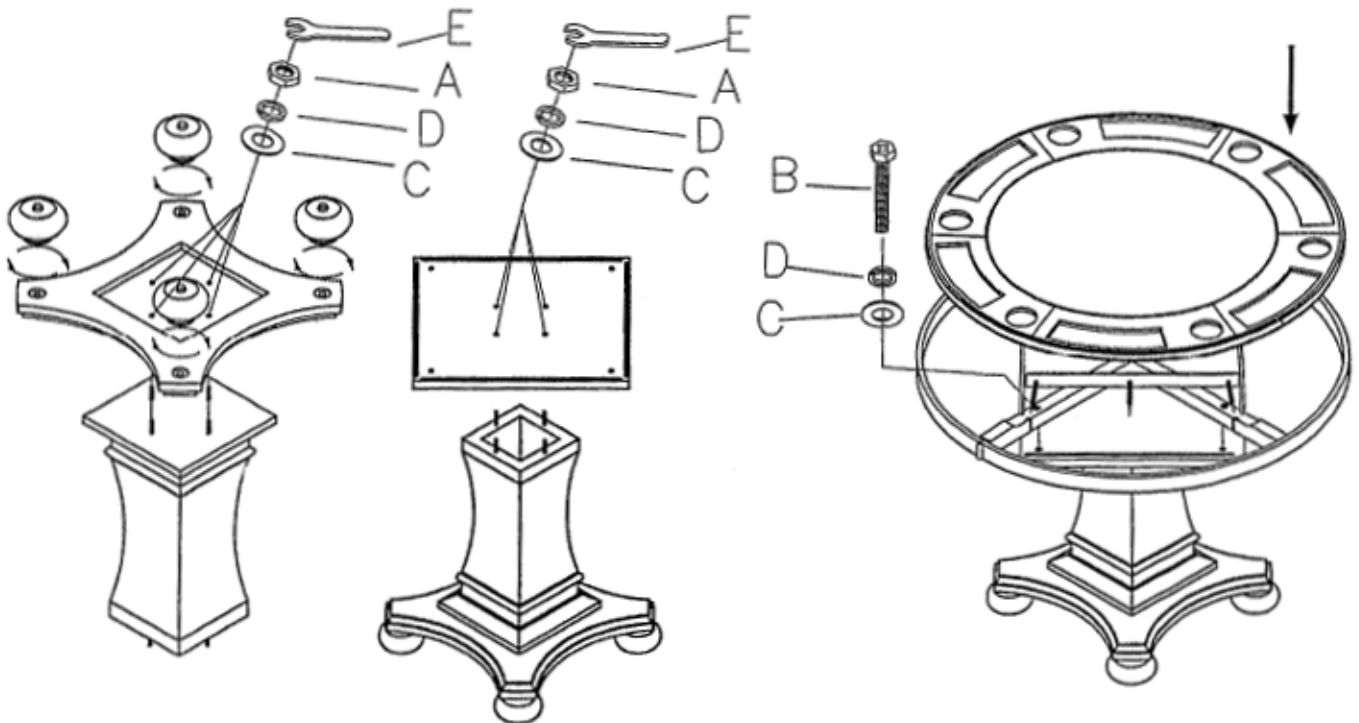
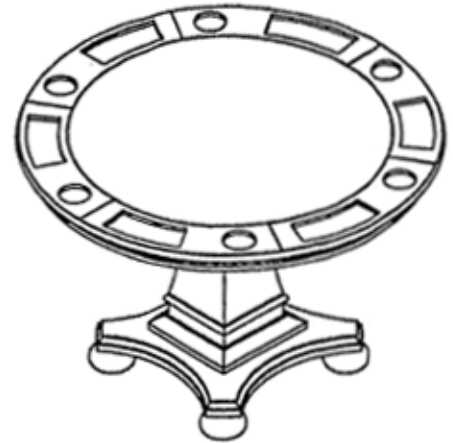


# ASSEMBLY INSTRUCTIONS

## PARTS LIST

|   |   |             |             |        |
|---|---|-------------|-------------|--------|
| A |  | NUT         | 5/16*5.5    | 8 PCS  |
| B |  | BOLT        | 5/16*2-1/4" | 4 PCS  |
| C |  | FLAT WASHER | 5/16*19     | 12 PCS |
| D |  | LOCK WASHER | 5/16*14     | 12 PCS |
| E |  | SPANNER     | 5/16        | 1 PC   |

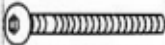



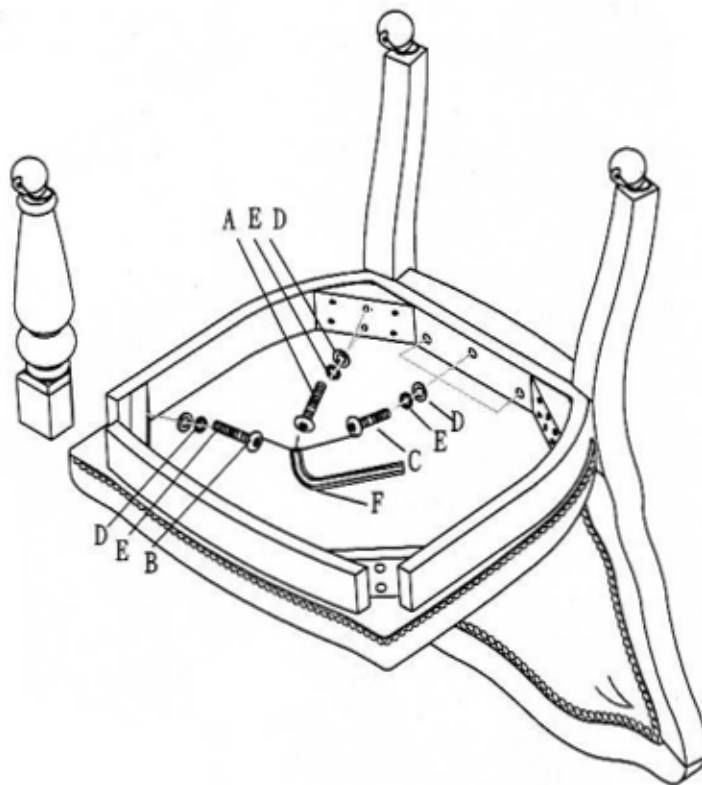
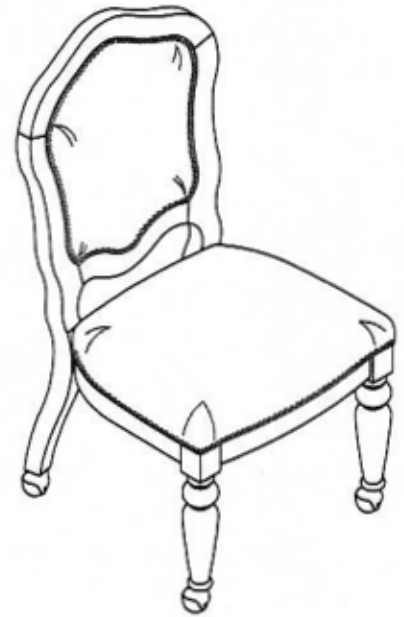
Hardwood and veneers have natural variations in color, shade, and pattern. Wood is a natural material, no two pieces of wood or veneer are alike. As a result, each piece takes stain differently.

It is this variation that makes this furniture so beautiful.

To clean: Treat this furniture as you would any fine furniture. Dust with a clean soft cloth and use a high quality furniture polish. Do not use any cleaners containing alcohol, acetone, or any other strong solvents.

# ASSEMBLY INSTRUCTIONS

| PARTS LIST |   |             |            |        |
|------------|---|-------------|------------|--------|
| A          |  | LONG BOLT   | 1/4*2-3/4" | 4 PCS  |
| B          |  | MIDDLE BOLT | 1/4*2-1/4" | 4 PCS  |
| C          |  | SHORT BOLT  | 1/4*1-1/2" | 3 PCS  |
| D          |  | FLAT WASHER | 1/4*19     | 11 PCS |
| E          |  | LOCK WASHER | 1/4*12     | 11 PCS |
| F          |  | ALLEN KEY   | 4MM        | 1 PC   |



## ATTENTION:

These casters are compatible with most residential floor surfaces. They are NOT recommended for use on hardwood floors.

Hardwood and veneers have natural variations in color, shade, and pattern. Wood is a natural material, no two pieces of wood or veneer are alike. As a result, each piece takes stain differently. It is this variation that makes this furniture so beautiful.

To clean: Treat this furniture as you would any fine furniture. Dust with a clean soft cloth and use a high quality furniture polish. Do not use any cleaners containing alcohol, acetone, or any other strong solvents.