

GOOSENECK RLM'S

(1) ATTENTION

- 1.1 - To ensure the success of the installation, be sure to read these instructions and review the diagrams thoroughly before beginning.
- 1.2 - All electrical connections must be in accordance with local codes, ordinances, or the National Electrical Code. If you are unfamiliar with the methods of installing electrical wiring, secure the services of a qualified licensed electrician.
- 1.3 - These fixtures are intended to be wall-mounted and must be supported by the building structure.
- 1.4 - Do not operate the lighting fixture close to any combustible material.
- 1.5 - Ensure that the fitting is cool and switched off before changing the bulb/fixture.
- 1.6 - Do not use bulbs exceeding the maximum wattage as marked on the lighting fixture.
- 1.7 - After installing the luminaries, use waterproof glue (ex. GE-108) for caulking compound.
 - 1.7.1 - Caulk completely around where the back of the backplate meets the wall surface to prevent water from falling into the outlet box.
 - 1.7.2 - Caulk completely around gap between the parts of the enclosure to prevent water from seeping into the enclosure.

(2) CAUTION BEFORE INSTALLATION

- 2.1 - Prepare tools and materials required, e.g.: Ladder, Wrench, Wire Cutter, Screw Driver, Bulbs and Wiring supplies as required by electrical code.
- 2.2 - Before starting the installation, disconnect the power by opening the circuit breaker or by removing the fuse at the fuse box. Turning the power off using the light switch is NOT sufficient to prevent electrical shock.
- 2.3 - If you are replacing an existing fixture, disconnect and remove the old fixture. Expose the supply wiring.
- 2.4 - Make sure no rough or sharp edges are in contact with any of the wire, to ensure the insulation on any of the wires has not been damaged during the installation.
- 2.5 - The bare or green insulated wire is for grounding, do not connect with current carrying wires.
- 2.6 - First, connect the white fixture wire with the white supply wire. Then connect the black fixture wire with the black supply wire. After the fixture wires are connected with the supply wires, the bare parts of the wires need to be completely covered by a connector, to prevent it from causing a short circuit and electric leakage.

Diagram #1

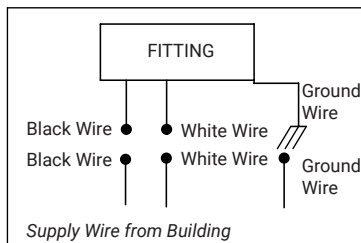
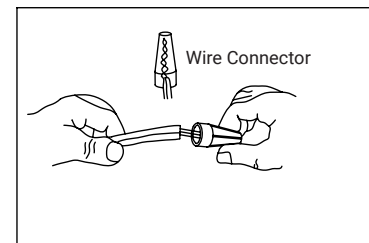
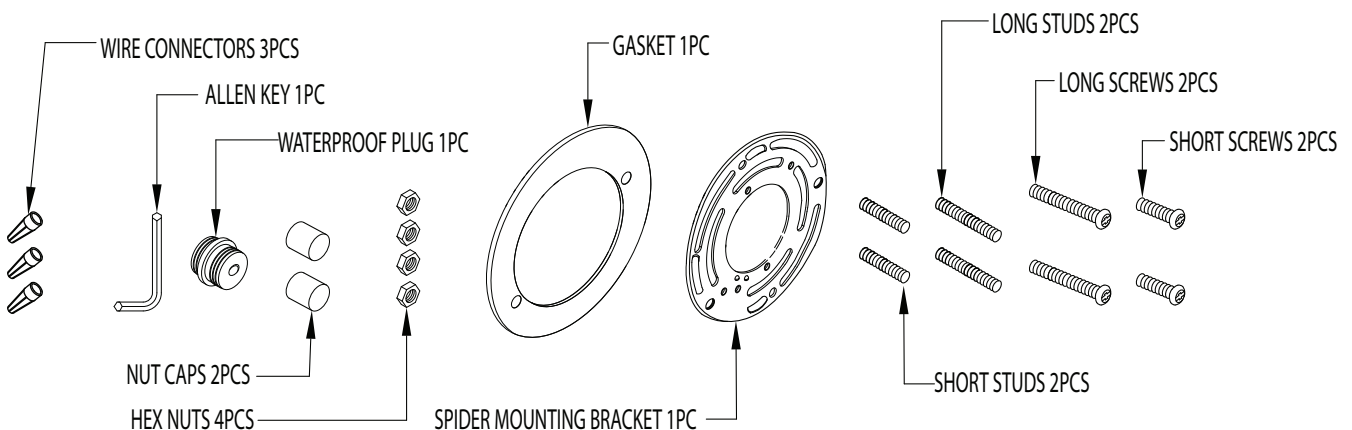


Diagram #2



(3) Hardware

*Waterproof Glue is not provided, and can be purchased seperately as needed.



GOOSENECK RLM'S

(4) ASSEMBLY

*Waterproof Glue is not provided, and can be purchased separately as needed.

4.1 - Feed fixture wires and ground wire through (1) Arm, thread (1) Arm onto (2) Fixture tightly. Secure (1) Arm by (4) Screw to prevent it loosening (Only for SAS10 & SAS12 Models). (3) Hex Coupling at fixture end has a dripping hole which can allow the infiltrated water to come out. When threading (1) Arm onto (2) Fixture, it is optional to use a pipe sealant.

4.2 - Feed fixture wires through larger end of (5) Waterproof Plug, & insert (5) Waterproof Plug into (1) Arm.

NOTE: The appearance of the fixture and quantity of socket(s) is subject to the actual fixture you received, which is different from the figure in this instruction sheet, but in the same installation as below.

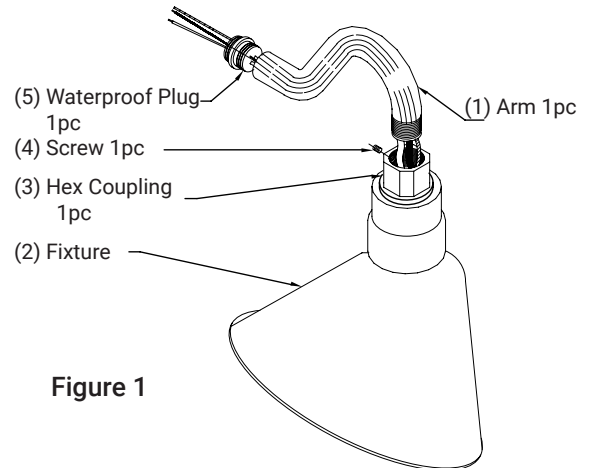
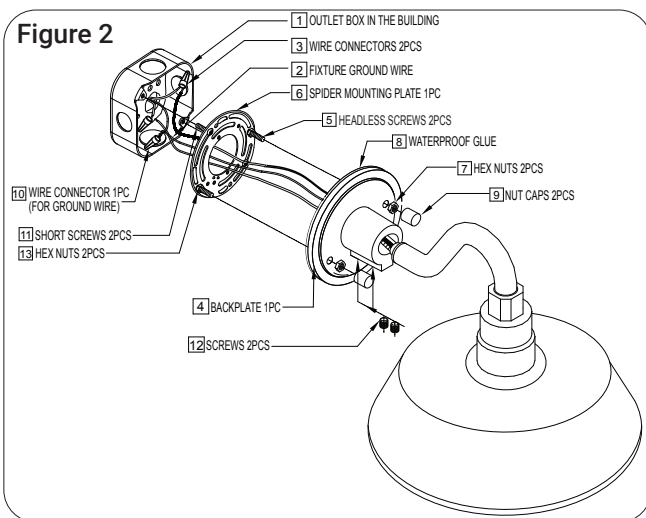


Figure 1

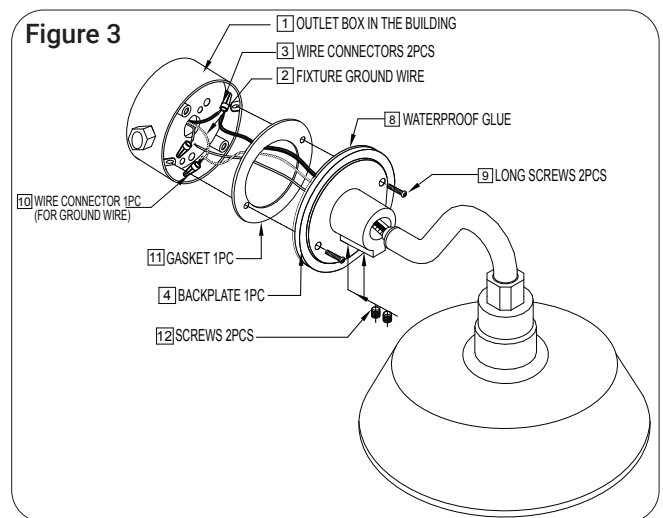
(5) INSTALLATION

** For SGN22 & SGN24 Arm, it is recommended to use Figure 3, for better holding strength



Octagon Box Installation With Spider Mounting Bracket **

- 1) Screw in [5] Headless Screws & [13] Hex Nut into [6] Spider Mounting Plate per Figure 2.
- 2) Install [6] Spider Mounting Bracket onto Junction Box using [11] Short Screws
- 3) Insert arm into [4] Backplate, and secure arm using [12] Screws without overtightening it.
- 4) Connect Electrical Wires per Diagram #1 using [3] Wires Connectors
- 5) Install [4] Back Plate over [5] Headless Screws
- 6) Tighten [4] Back Plate using [7] Hex Nuts leaving room for [9] Nut Caps
- 7) Once properly tighten, install [9] Nut Caps.
- 8) Adjust the tilt of the arm, and secure it by tightening [12] Screws
- 9) Check for gaps between fixture and mounting surface. If any gaps are visible seal with waterproof glue or silicone caulking compound (Sold separately)



Round Weatherproof Installation No Spider Mounting Bracket **

- 1) Install [4] Backplate onto Arm using [12] Screws without overtighten it.
- 2) Put the [11] Gasket flush to the [4] Backplate, and use [9] Long Screws to hold them together.
- 3) Connect Electrical Wires per Diagram #1 using [3] Wire Connectors
- 4) Make sure ground wire is properly connected to junction box
- 5) Carefully push Electrical Wires back into the junction box
- 6) Screw in [9] Long Screws into [1] Outlet Box, and tighten them
- 7) Adjust the tilt of the arm, and secure it by tightening [12] Screws
- 8) Check for gaps between fixture and mounting surface. If any gaps are visible seal with waterproof glue or silicone caulking compound (Sold separately)
- 9) Caulk completely around where the fixture mounting plate meets the mounting surface to prevent water seepage.