

### Features

- Single lever handle allows for both on/off activation and temperature setting.
- KOHLER ceramic disc valves exceed industry longevity standards for a lifetime of durable performance.
- Includes handshower and a 60" hose.
- 8 gpm maximum flow rate (30 l/min) @ 60 psi.
- Coordinates with Purist® faucets, accessories and showering components to complete your bathroom.

### Material

- Premium metal construction.
- KOHLER finishes resist corrosion and tarnishing.

### Installation

- Floor-Mount
- Compatibility with tub varies by application.

### Required Accessories

K-97339 Multiproduct Mounting-block



### Codes/Standards

ASME A112.18.1/CSA B125.1  
DOE - Energy Policy Act 1992  
EPA WaterSense®  
California Energy Commission (CEC)

### KOHLER® Faucet Lifetime Limited Warranty

See website for detailed warranty information.

### Available Color/Finishes

*Color tiles intended for reference only.*

Color	Code	Description
-------	------	-------------



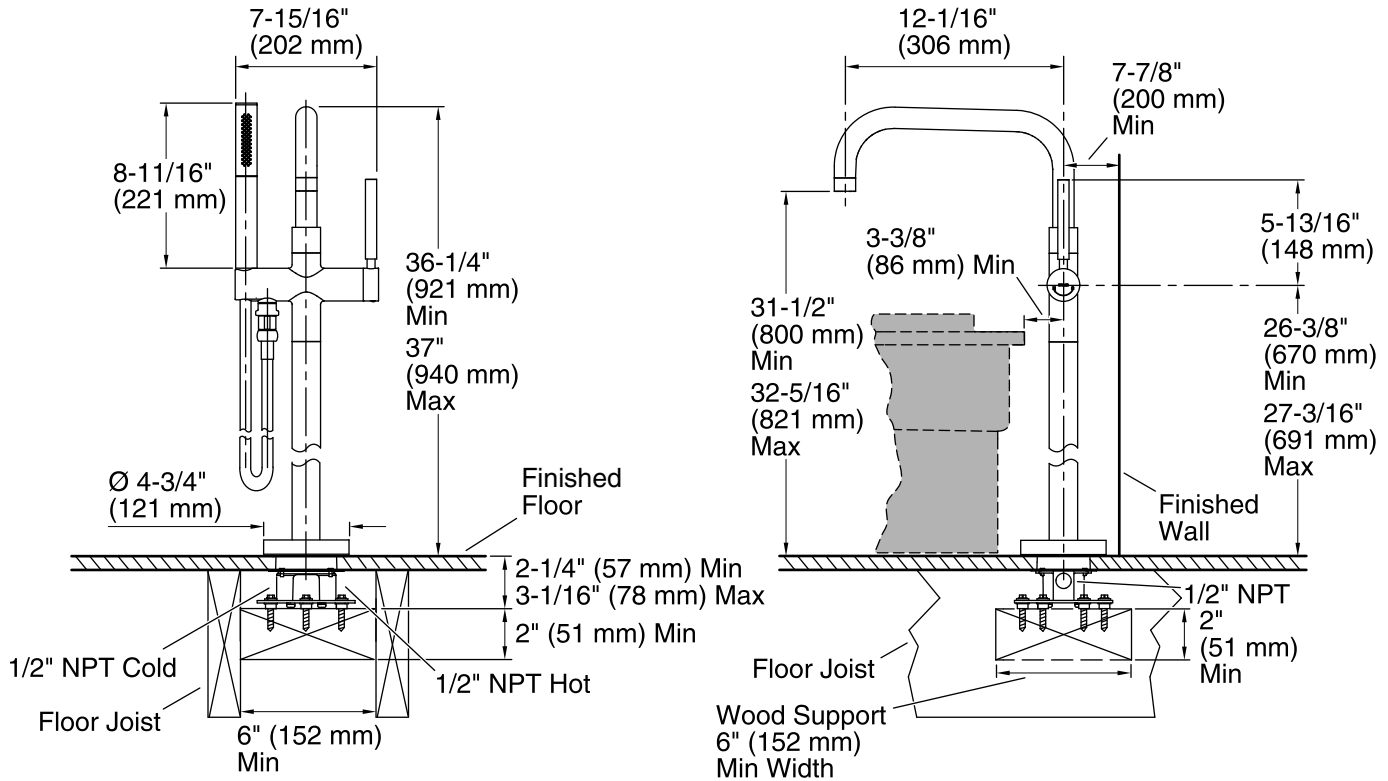
CP Polished Chrome



SN Vibrant® Polished Nickel



BN Vibrant® Brushed Nickel



### Technical Information

All product dimensions are nominal.

#### Faucet:

Flow rate: 6 gal/min (22.7 l/min)

Pressure: 45 psi (3.1 bar)

#### Spout:

Spout reach: 12-1/16" (306 mm)

Handle clearance: 5-13/16" (148 mm)

#### Handshower:

Rated maximum flow: 1.75 gal/min (6.6 l/min)

Pressure: 80 psi (5.5 bar)

### Notes

For use with automatic compensating valves rated at 1.3 gal/min (4.9 l/min) or less.

Install this product according to the installation guide.

Adequate floor support is required. The wood support must be a minimum of 2" (51 mm) thick by 6" (152 mm) wide. 2x6 lumber is NOT adequate for this application.

Concrete can be used as the floor support.

Requires 3/16" masonry drill bit and six 1/4" x 1-3/4" concrete screws, not included.