



Installation requires 2 adults



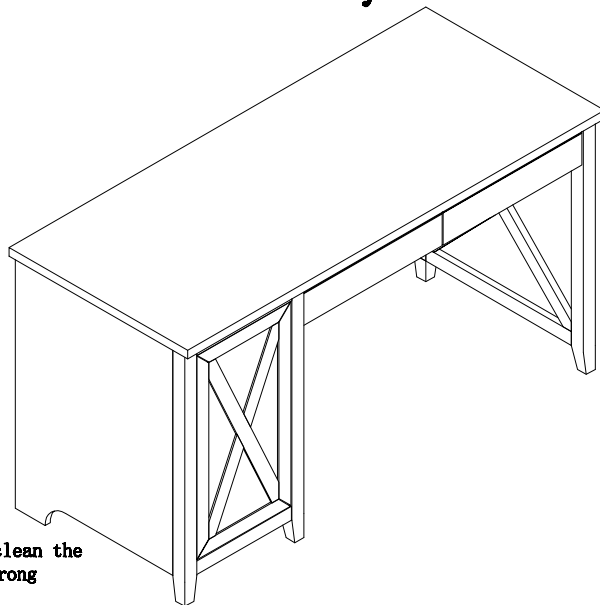
prompt



Installation tool

Torx screwdriver

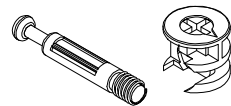
655055 Assembly instructions



Finished picture

1. Please read the instruction manual before installing and using the furniture.
2. Please assemble in strict accordance with the assembly instructions.
3. Please check carefully to ensure that all parts in the box are intact.
4. Please install it on the packing box to avoid damage to the product
5. Only use a rag or slightly damp cloth to clean the surface of the furniture, do not use strong scrubbing agents.
6. The use of unmatched hardware may cause damage to the product. Please confirm the specifications of various hardware accessories before installation.

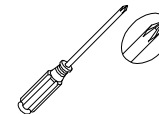
Hardware accessories list



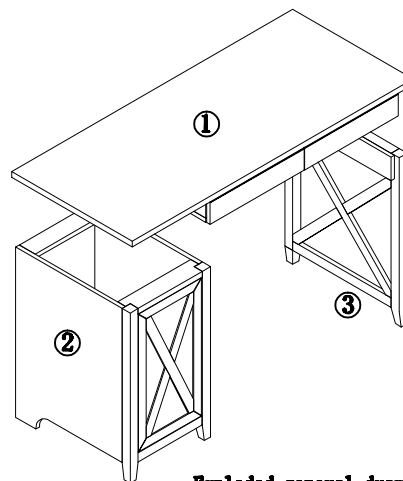
Cam Fitting with DowelX4



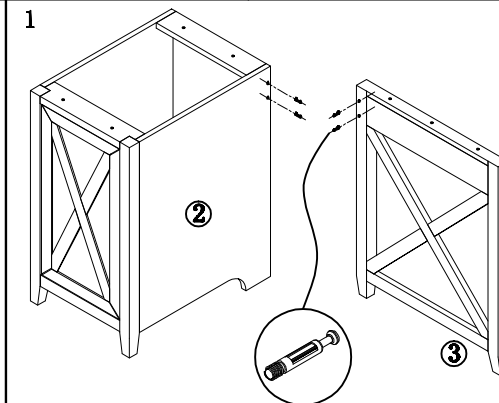
Flat Bottom ScrewX7



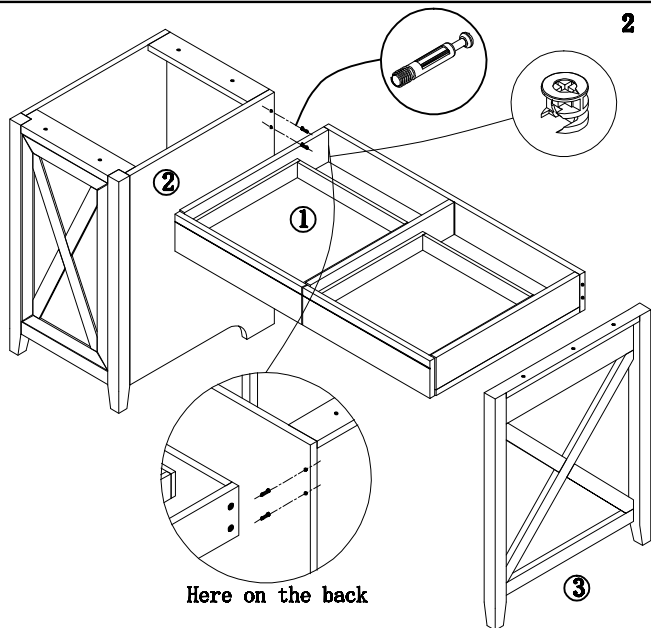
Cross Screwdriver



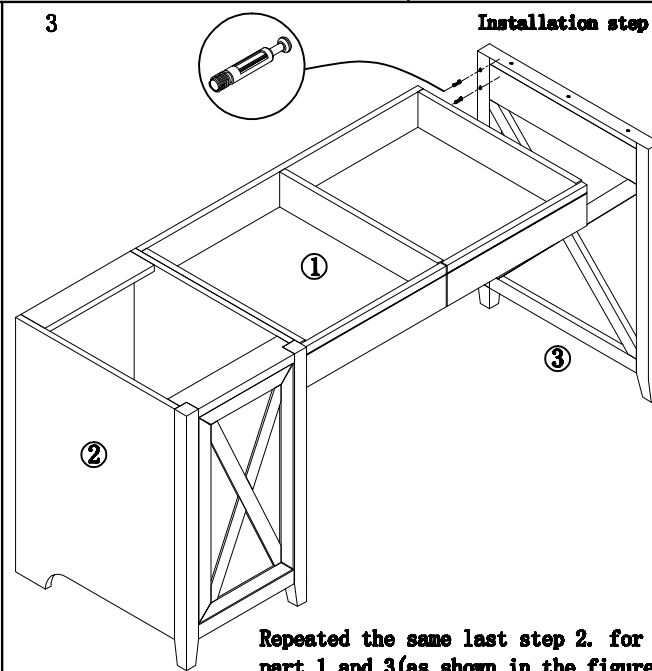
Exploded general drawing



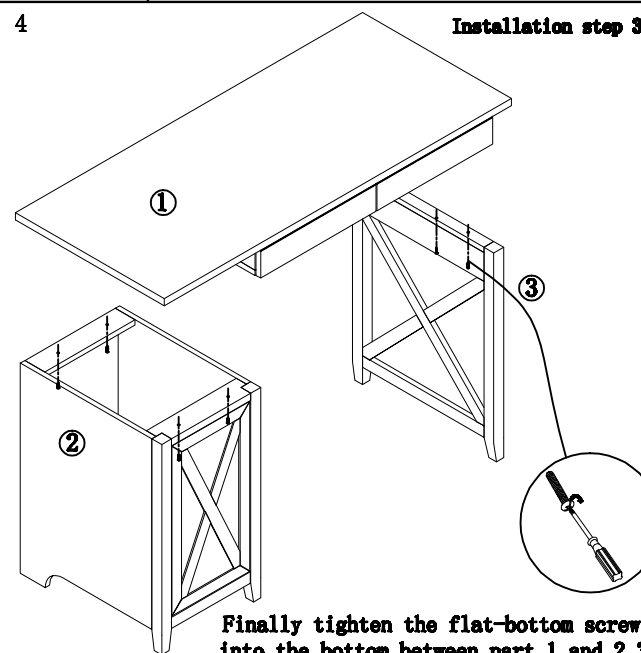
Insert the metal dowel screws into the comparable holes of part 2 and 3. (as shown)



Connected part 1 and 2 with cam fitting and dowel, and tighten with cross screwdriver.



Repeated the same last step 2. for part 1 and 3(as shown in the figure).



Finally tighten the flat-bottom screws into the bottom between part 1 and 2, 3. (as shown)