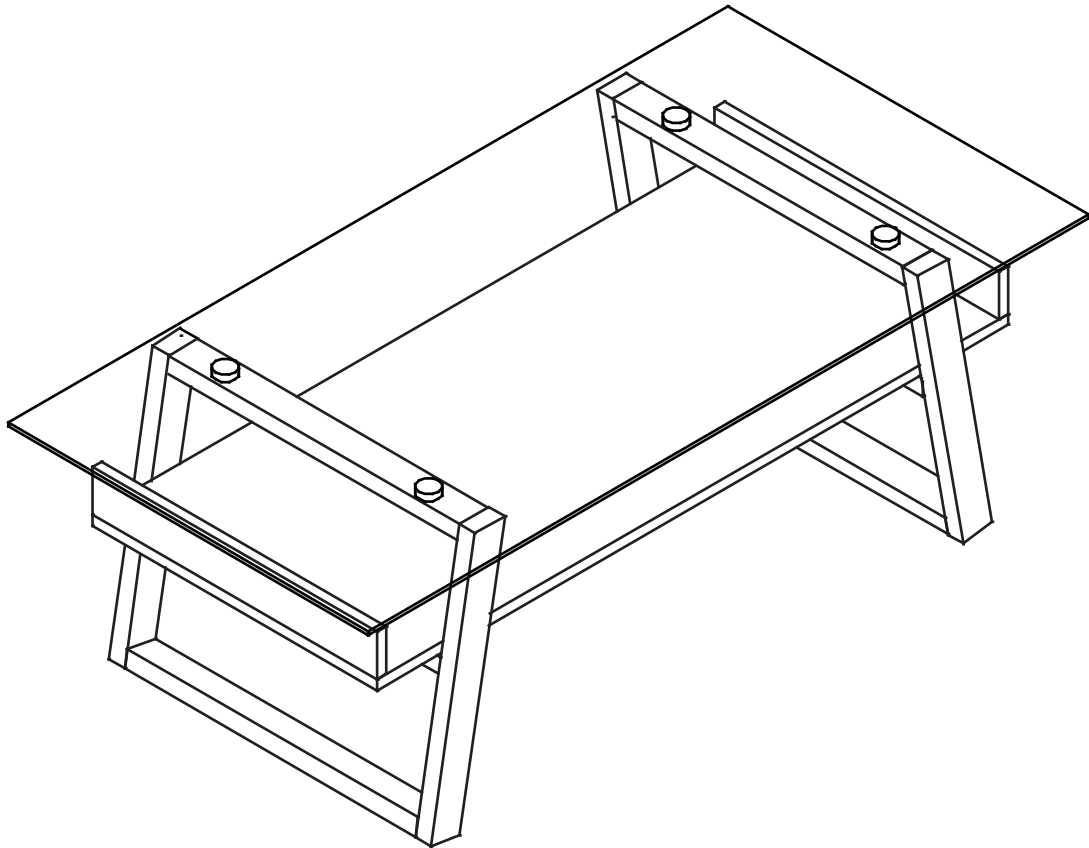


CONVENIENCE CONCEPTS

Sundance Coffee Table

203081



Assembly Instructions

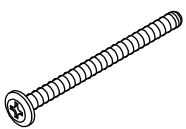
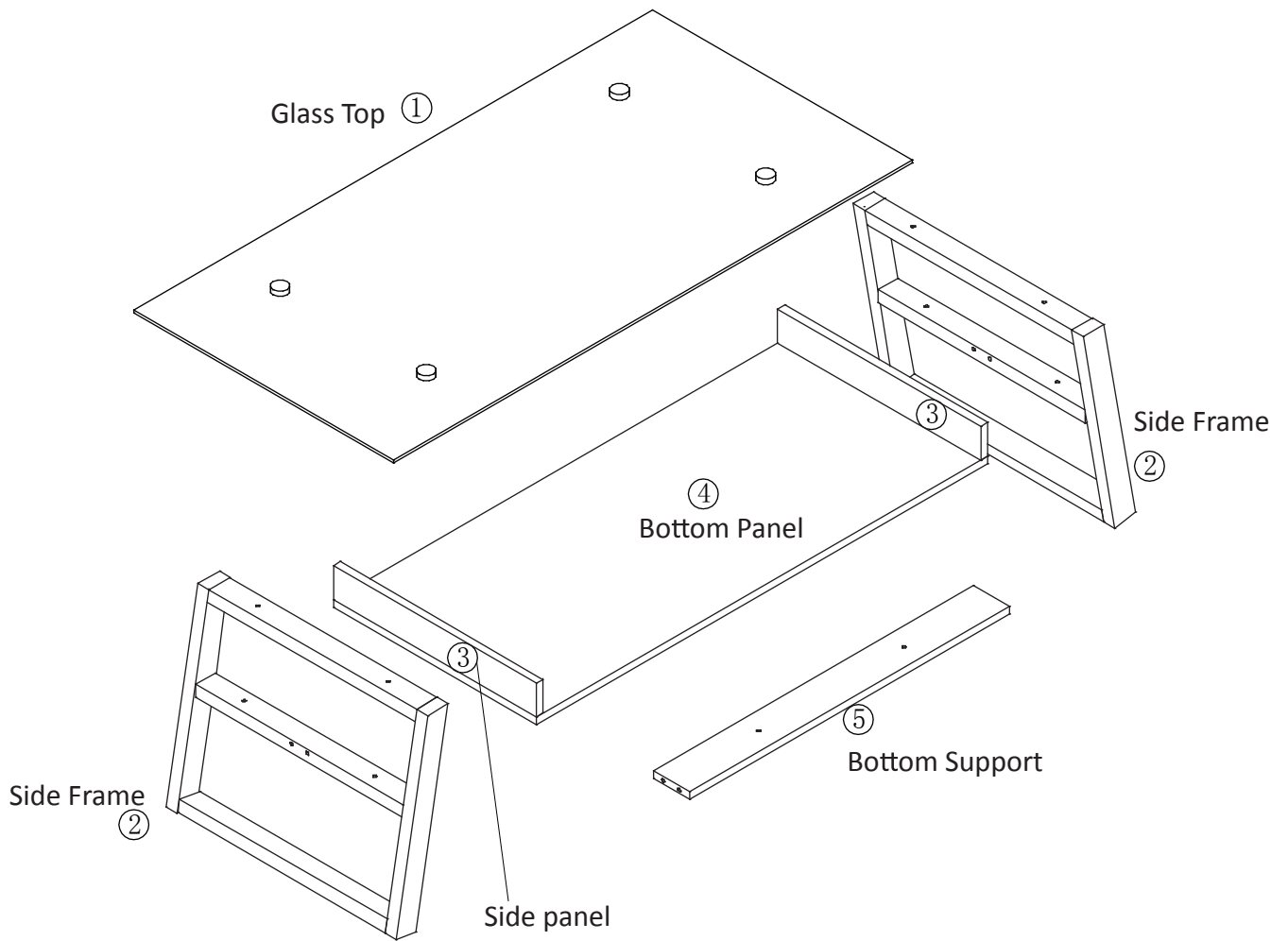
We have designed our furniture with you, the customer in mind. Our clear, easy to follow step by step instructions will guide you through the project from start to finish.

Feel confident that this will be a fun and rewarding project. The final product will be a quality piece of furniture that will go together smoothly and give years of enjoyment.



Please do not return to the store
Broken or missing Hardware?
Need help with Assembly?

If you have any questions just call 1-800-468-6447 or email us at
parts@convenience-concepts.com



A x4
Bolt(A)



B x4
Lock nut(B)



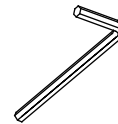
C x6
Screw(C)



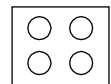
D x10
Allen Bolt(D)



E x4
Dowel(E)



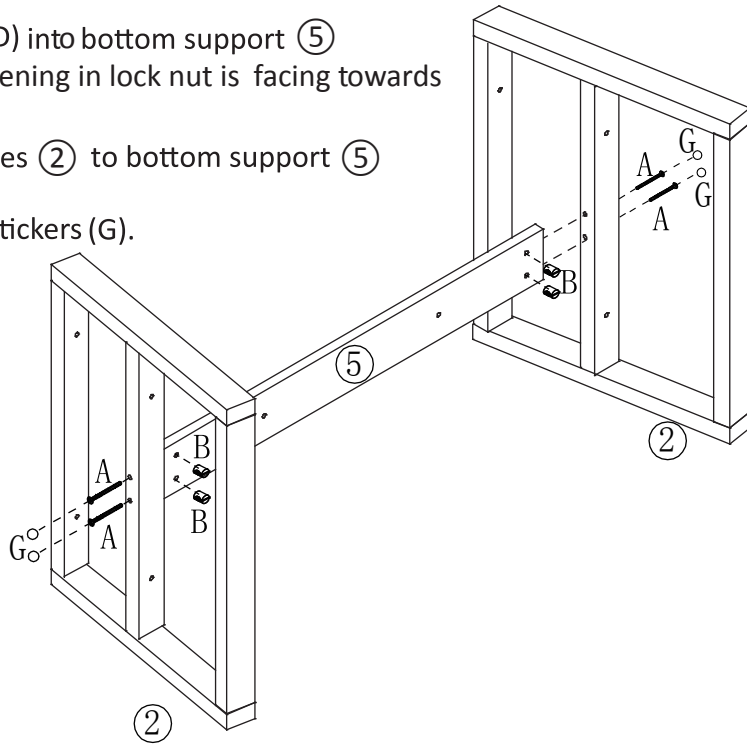
F x1
Allen Wrench(F)



G x4
Stickers(G)

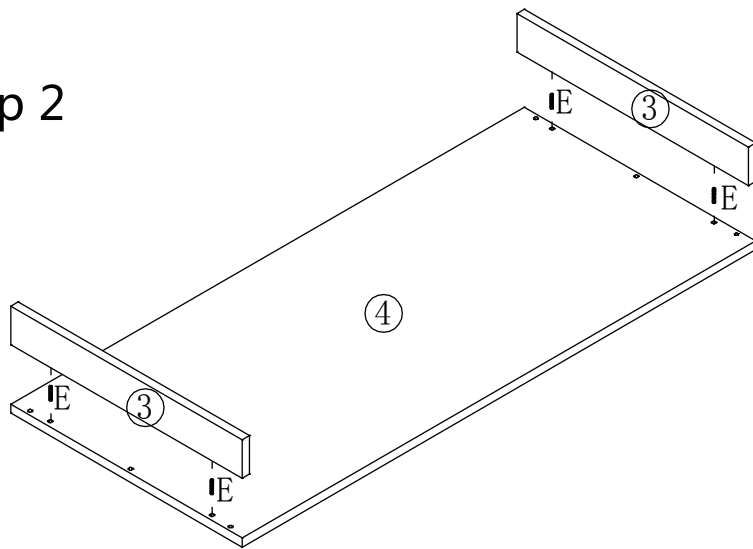
Step 1

1. Insert lock nuts (D) into bottom support (5) making sure that opening in lock nut is facing towards opening in panel.
2. Connect side frames (2) to bottom support (5) using bolt (A).
3. Cover bolts with Stickers (G).



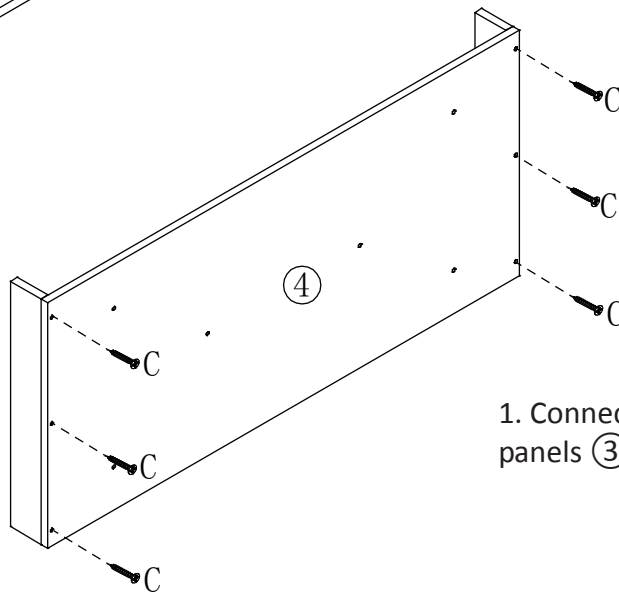
Step 2

1. Insert dowels (E) into bottom panel (4).
2. Place side panels (3) onto bottom panel (4) as shown.



Step 3

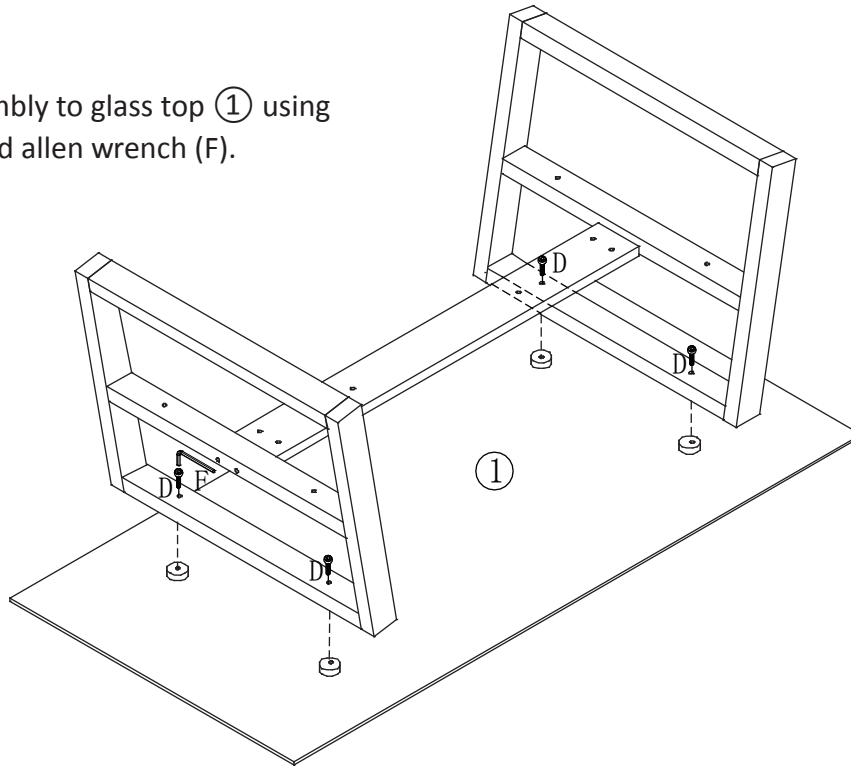
1. Connect bottom panel (4) and side panels (3) together using screws (C).



Step 4

Place glass top ① upside down on carpet or another soft surface

1. Connect assembly to glass top ① using allen bolt (D) and allen wrench (F).



Step 5

1. Connect bottom panel ④ to assembly using allen bolt (D) and allen wrench (F) as shown.

