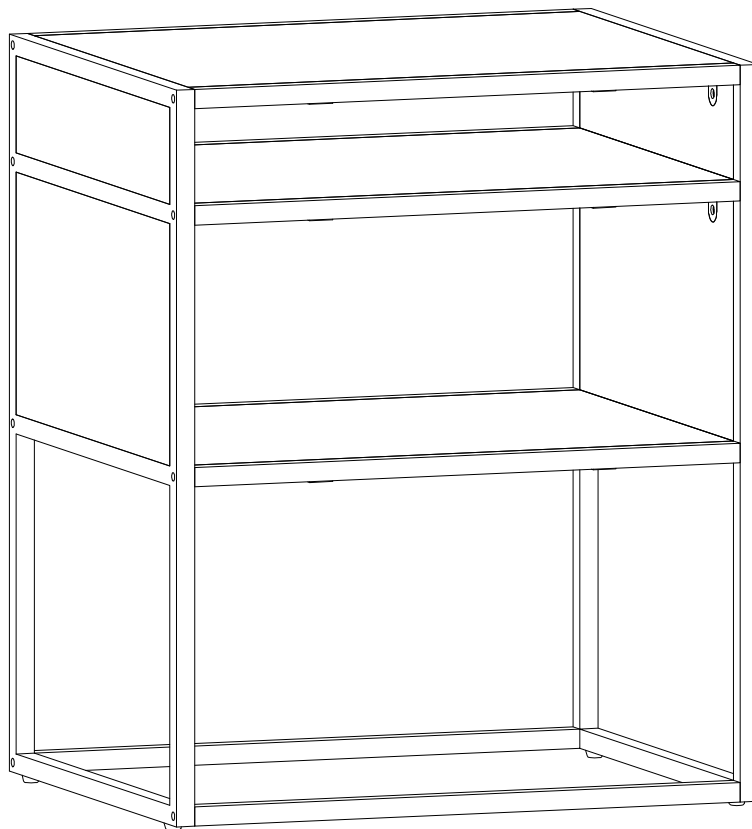




Item # : AF20JER  
Assembly Instructions

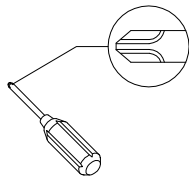


*Please visit our website for the most current instructions, assembly tips, report damage, or request parts. [www.walkeredison.com](http://www.walkeredison.com)*

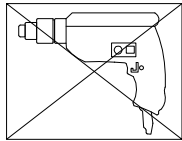
Revised 02/2018

# General Assembly Guidelines

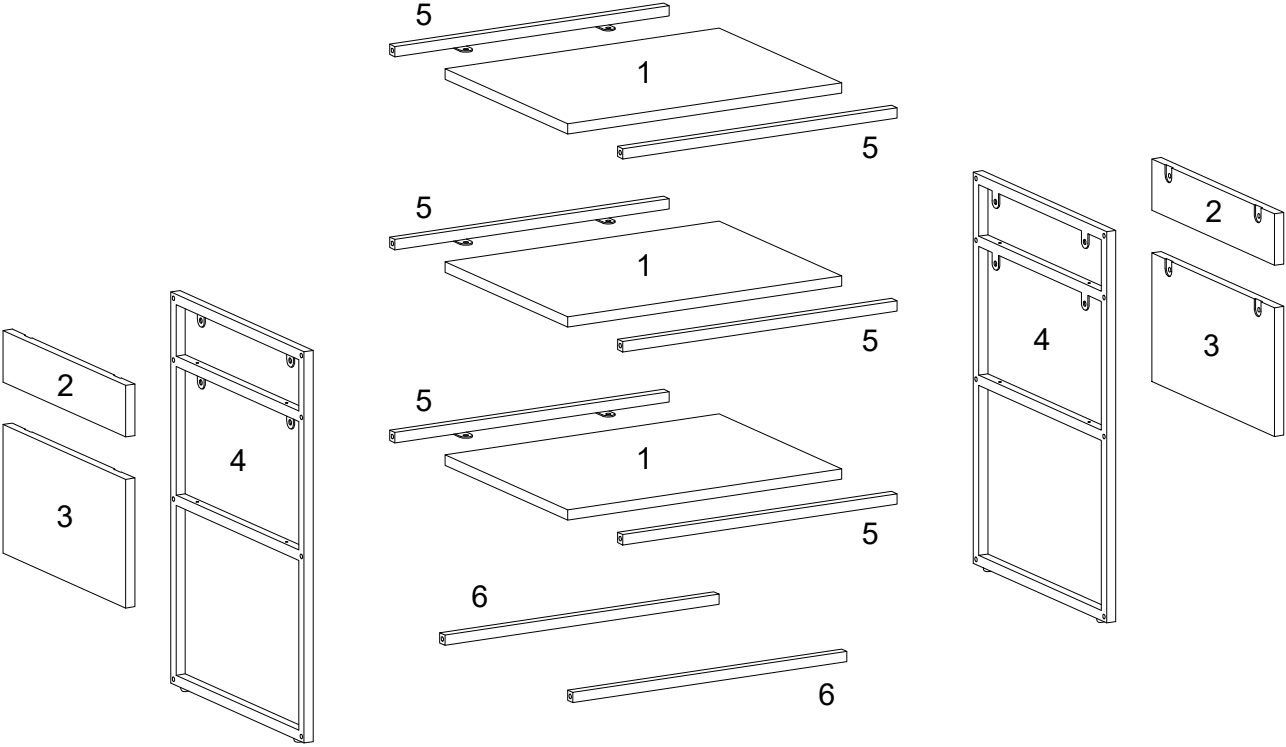
- I. Ensure that all parts and hardware are available before beginning assembly.
- II. Follow each step carefully to ensure the proper assembly of this product.
- III. Two people are recommended for ease in the assembly of this product.
- IV. The two main types of hardware used to assemble this product are :  
screws and bolts.
- V. A Phillips head screwdriver is required for the assembly of this product .



- VI. Power tools should not be used to assemble this product .

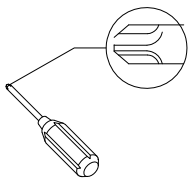


# Parts List



# Hardware List

A		Ø6x30mm	Bolt	16 pcs
B		Ø6x12mm	Bolt	20 pcs
C		Ø4x35mm	Screw	8 pcs
D		Ø16x1/4"	Adjuster	4 pcs
E		M 4	Hex Key	1 pcs

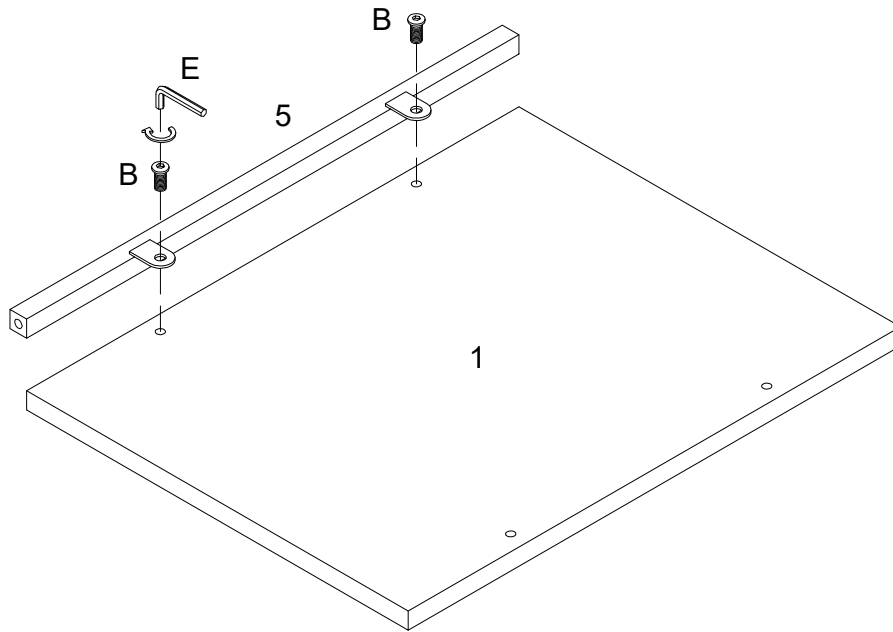


Philips head screwdriver required for assembly  
(not included)

*The hardware quantities listed above are required for proper assembly.  
Some extra hardware may also have been included.*

# Step 1

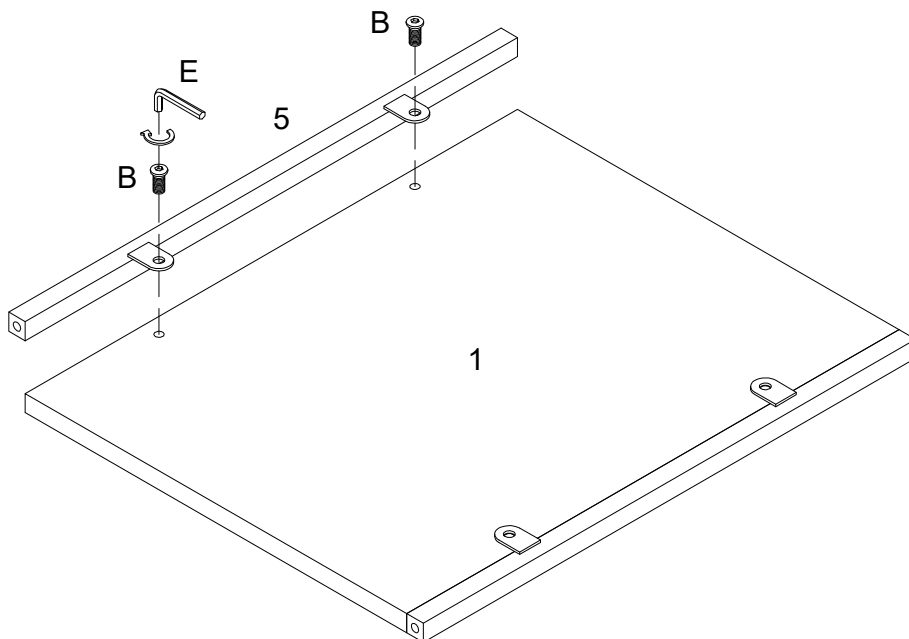
x 3



Attach part (5) to part (1) using bolt (B) with hex key (E).

# Step 2

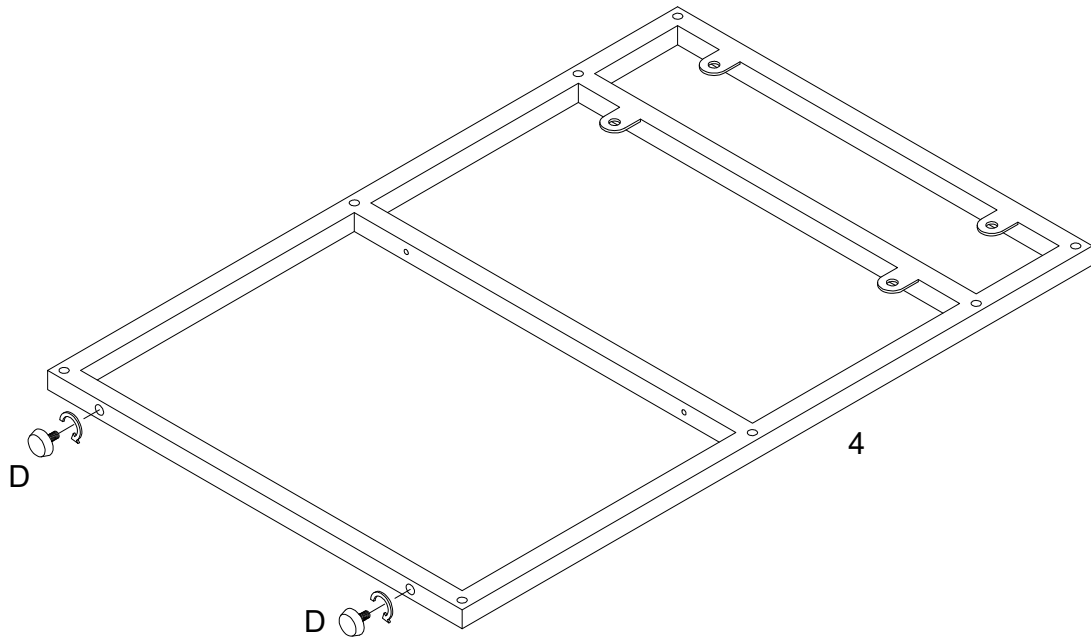
x 3



Attach part (5) to part (1) using bolt (B) with hex key (E).

## Step 3

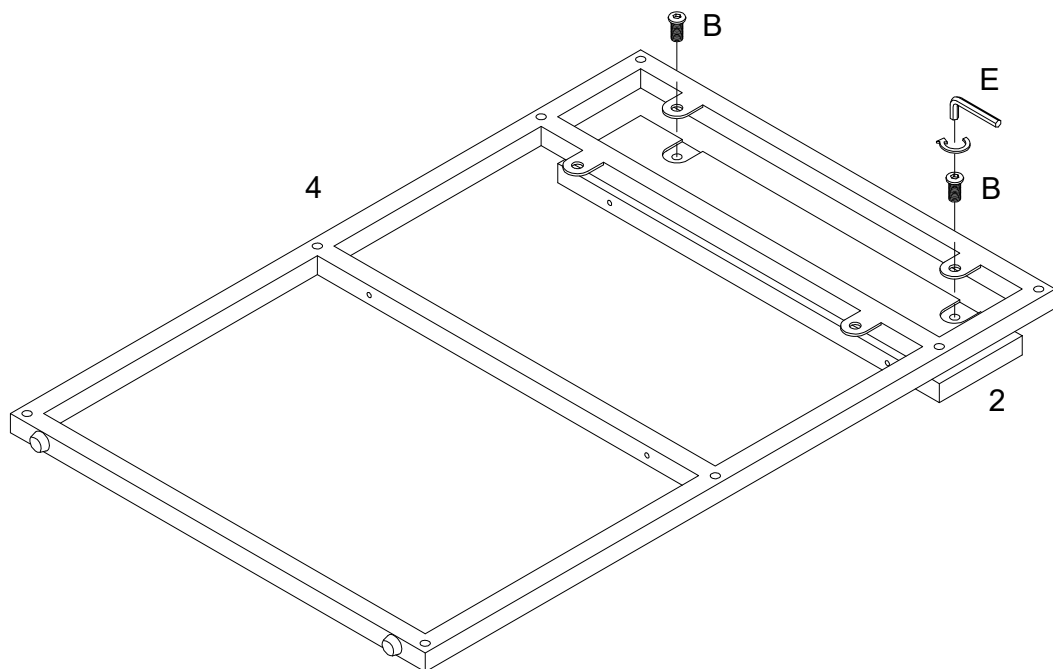
x 2



Attach adjuster (D) to part (4).

## Step 4

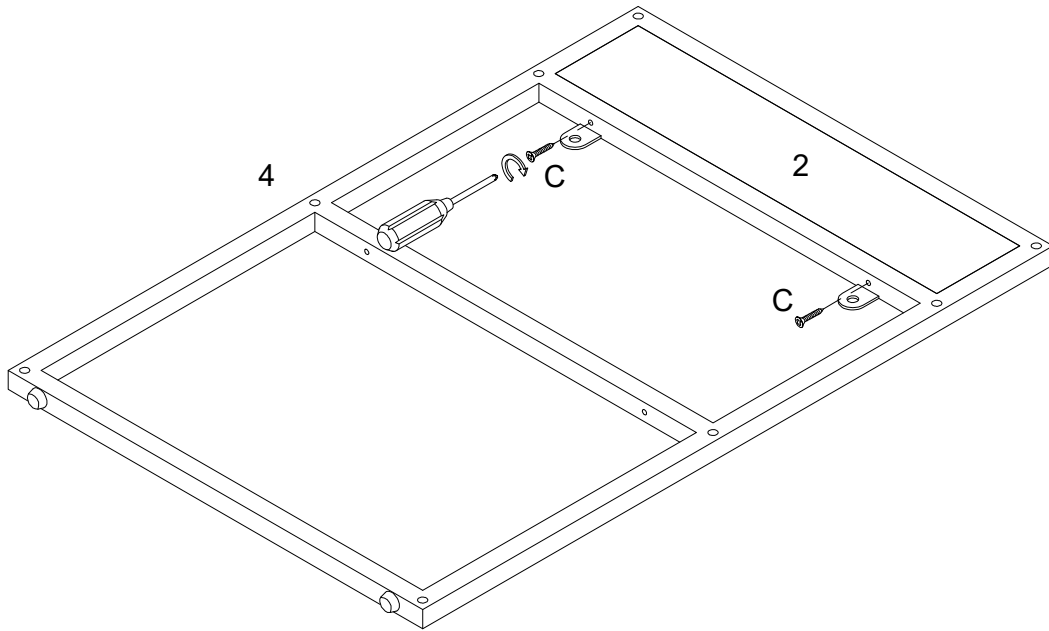
x 2



Attach part (4) to part (2) using bolt (B) with hex key (E).

## Step 5

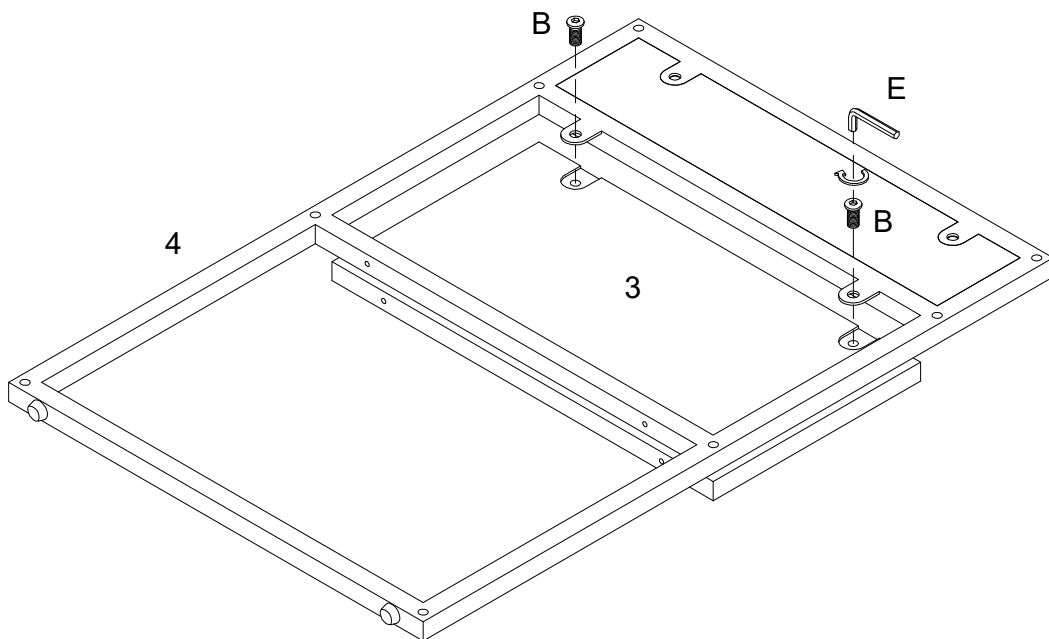
x 2



Attach part (4) to part (2) using screw (C) with screwdriver.

## Step 6

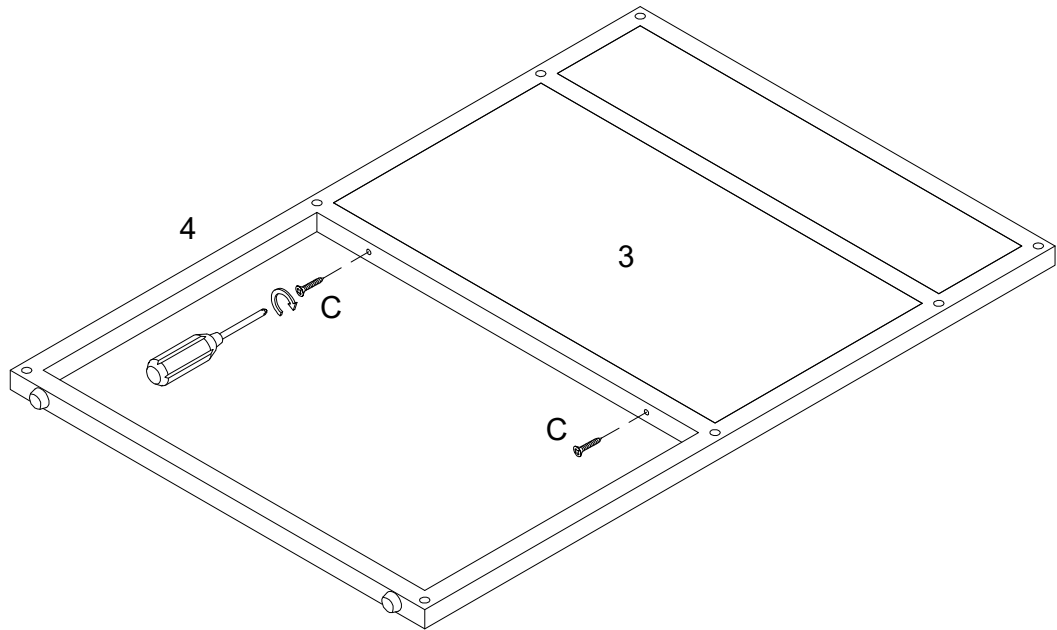
x 2



Attach part (4) to part (3) using bolt (B) with hex key (E).

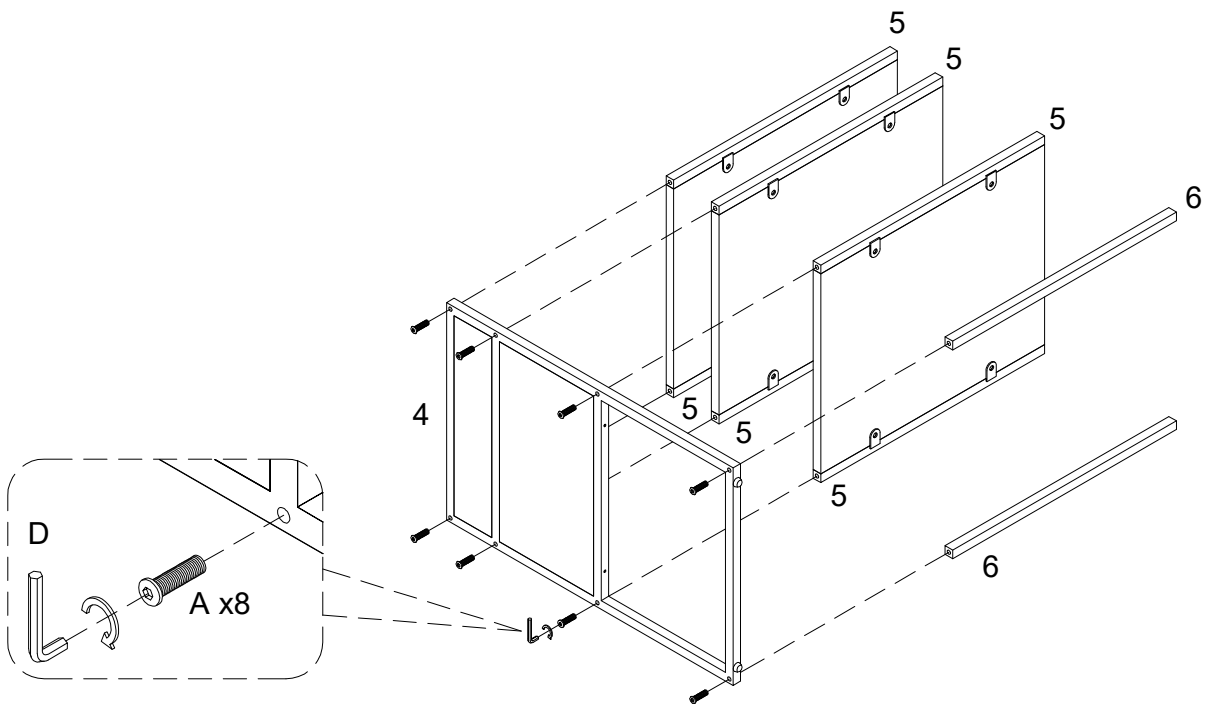
# Step 7

x 2



Attach part (4) to part (3) using screw (C) with screwdriver.

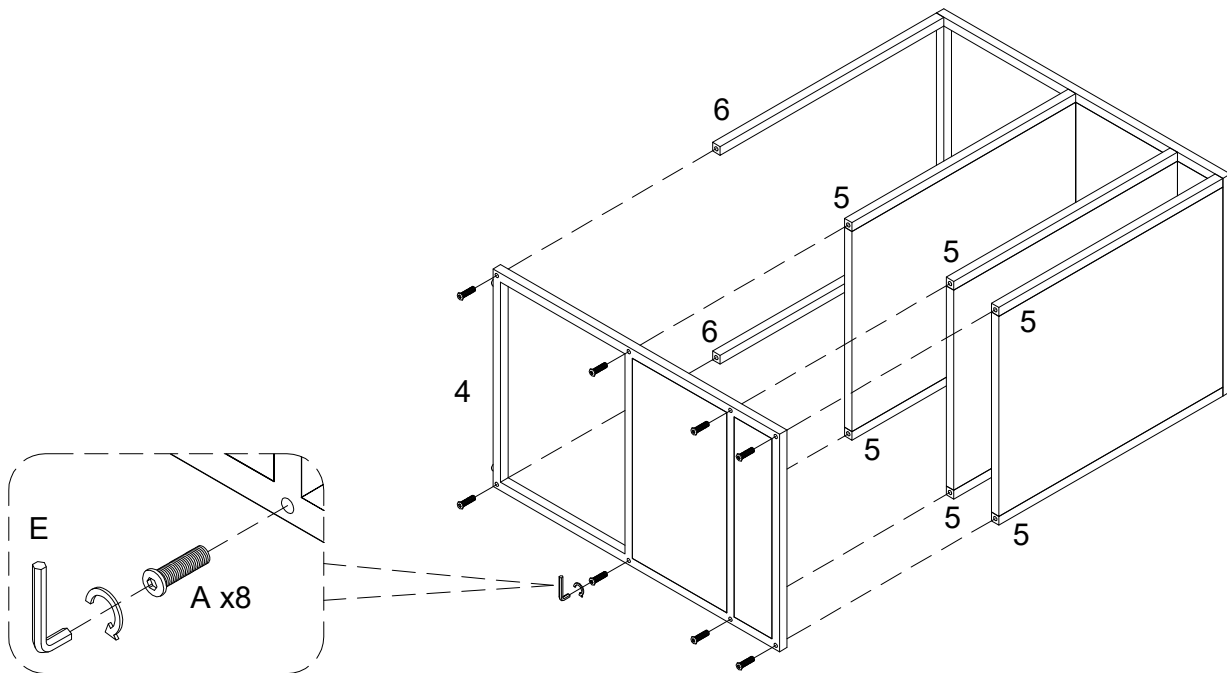
# Step 8



Attach part (4) to part (5,6) using bolt (A) with hex key (D).

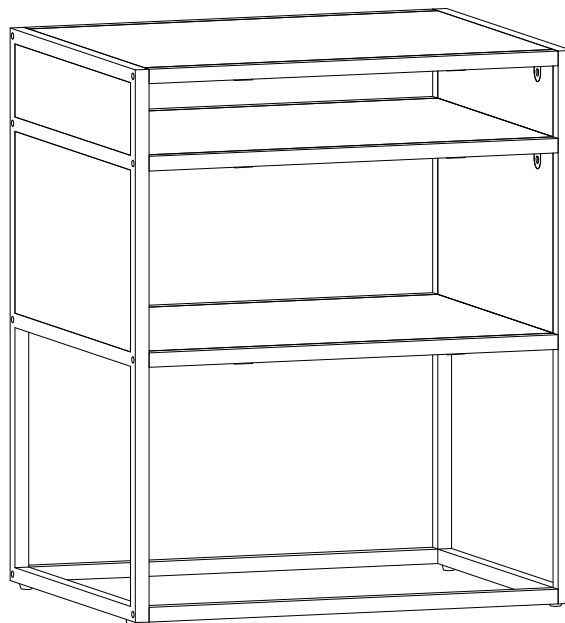


## Step 9



Attach part (4) to part (5,6) using bolt (A) with hex key (D).

## Step 10



Final Assembly