

# Marquis/Woodbridge

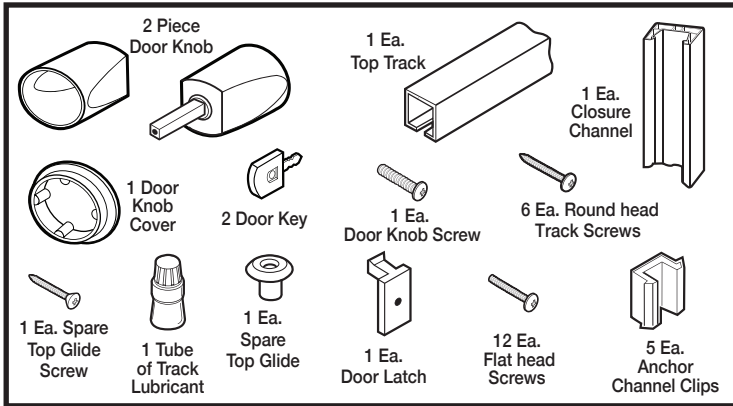
## Installation Instructions

For quick and easy installation of your folding door, read these instructions thoroughly.

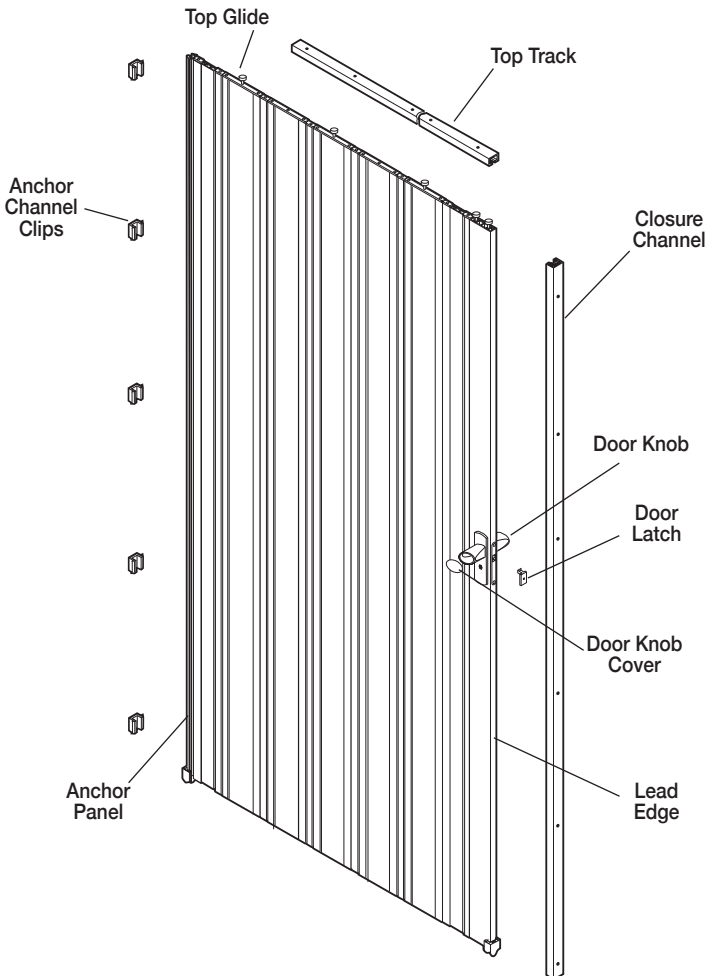
### The Tools You Will Need

- Drill • Phillips screwdriver bit • 3/32" drill bit for pilot holes
- small Phillips head screwdriver • tape measure • pencil • fine tooth hacksaw • safety glasses • level
- fine sandpaper (can be used to smooth edges after cutting)

**Make sure all of the following Parts are included before you begin:**



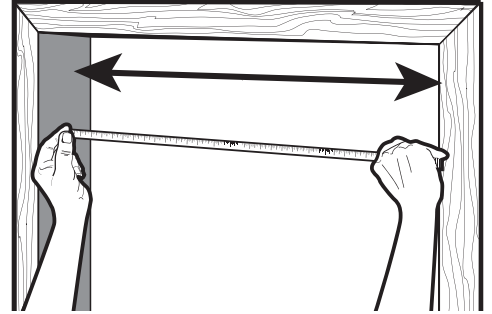
### Door Parts Location



## SINGLE DOOR INSTALLATION

### 1. Measure the Door Opening

Measure the height and width of your finished opening. This door fits openings that are 24" to 36" wide and 80" high.



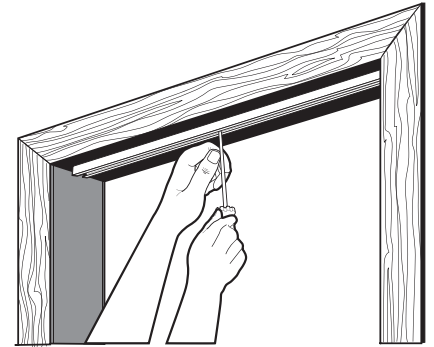
If the height of your door opening is approximately 80", you will not need to alter the height of the door. If the opening is less than 80" high, the door may be shortened by sawing the excess from the bottom of the door panels.

### Trimming the Door Height and Top Track:

Stack the door panels together and secure with masking tape. Remove bottom hinge screws. Cut excess off with a hacksaw. Replace bottom hinge screws and remove tape.

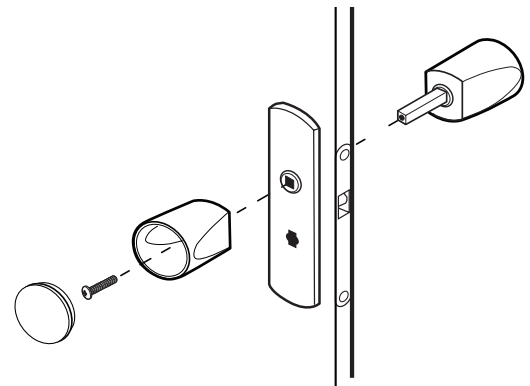
### 2. Install the Top Track

Cut the top track 1/8" shorter than the width of the finished opening. Position the top track in the top of the door opening so that it is straight and centered. After making a pilot-hole (with a 3/32" drill bit), insert a track screw through the pre-drilled hole nearest the center of the track. Do not fully tighten. (Tape may be used to hold the track in place while you mark and drill.)



### 3. Attach the Door Knob

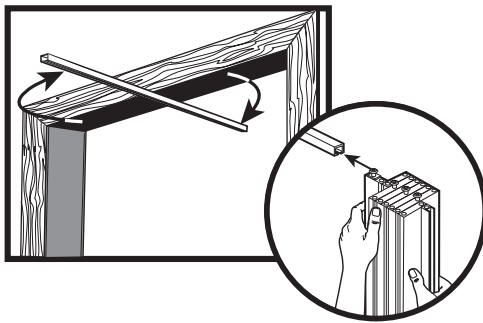
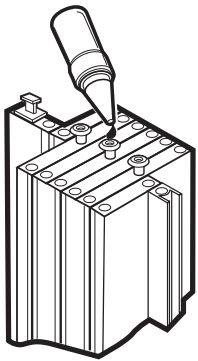
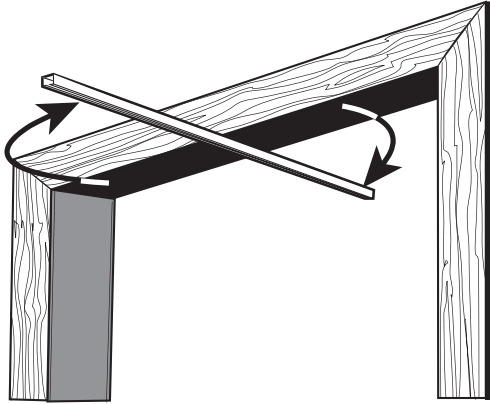
Take the male handle and remove the screw. Put the screw through the inside of the female handle and insert the screw through the pre-drilled handle hole on the lead edge. Take the male handle and line it up with the screw shaft on the other side of the door. Tighten with screwdriver until secure. Snap the cover onto the female handle.



# Marquis/Woodbridge Installation Instructions

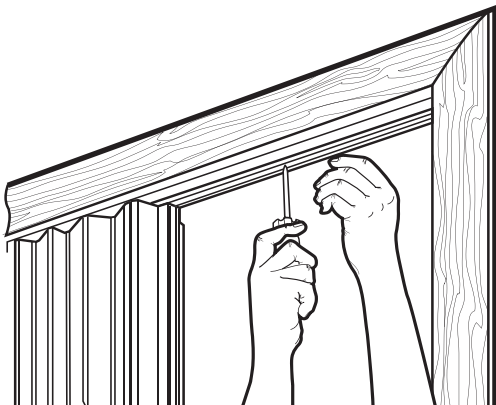
## 4. Hang Door onto Track

Apply track lubricant to each top glide. Swing one end of the top track outward. Decide if the door will open from the left or the right, then slide all of the top glides onto the track. Stack the panels together near the center screw. Swing the track back to its original position.



## 5. Secure the Top Track

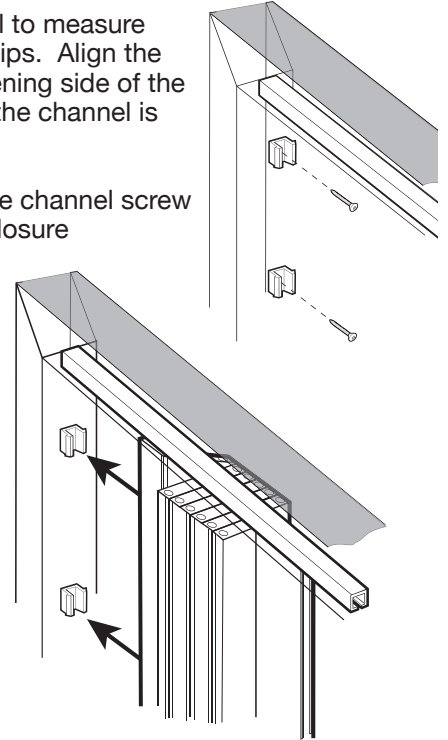
Drill pilot holes through the remaining pre-drilled holes in the top track and secure the track with the track screws provided. Set all screws as straight and tight as possible to ensure the smooth operation of the door.



## 6. Install the Anchor Channel Clips and Secure the Anchor Panel

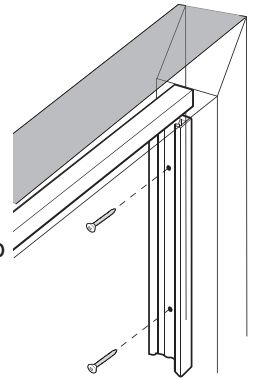
Use the closure channel to measure and align the channel clips. Align the channel on the non-opening side of the door jamb. Make sure the channel is centered and plumb.

Mark each of the closure channel screw holes and remove the closure channel. Make pilot holes (with a nail or a 3/32" drill bit) and install the channel clips loosely, using the flathead screws. Align the clips vertically and fully tighten screws. Press the door anchor panel onto them until it snaps into place.



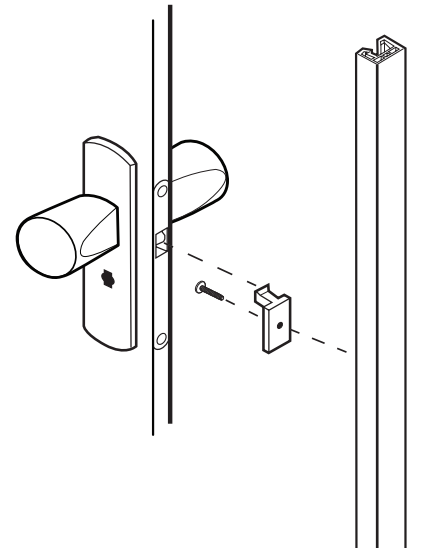
## 7. Install the Closure Channel

Place the closure channel on the opening side of the door jamb. Use a level to make sure the channel is centered and plumb. Mark the pre-drilled holes in the channel. Remove the channel and drill pilot holes where you marked the jamb. Secure the closure channel to the jamb using the flathead screws provided.



## 8. Attach Door Latch

Close the door until almost fully closed and mark the location on the closure channel where the latch hole on the lead edge would hit the channel. Place the top of the door latch piece at this location on the closure channel and secure the latch with a flathead screw. Once the door is in the closed position and the door is latched, the key can be used to lock the door.



# Marquis/Woodbridge Installation Instructions

## DOUBLE DOOR INSTALLATION

### 1. Measure the Door Opening

Divide the width of the opening by two. Cut each top track to this measurement so that when installed, the tracks butt against one another in the center of the door opening.

### 2. Install the Top Track

On a center line drawn across the top of the door opening, install either track and install all screws in this track. You will install the remaining track later.

### 3. Attach the Door Knob

Take the male handle and remove the screw. Put the screw through the inside of the female handle and insert the screw through the pre-drilled handle hole on the lead edge. Take the male handle and line it up with the screw shaft on the other side of the door. Tighten with screwdriver until secure. Snap the cover onto the female handle. Repeat with the other handle.

### 4. Hang the Doors onto the Track

Apply track lubricant to each top glide. Slide both doors onto the installed track with the lead edges facing each other.

### 5. Install Remaining Top Track

Install the second track. Slide one of the doors onto this track. Set a track screw at the track center joint and leave the screw projecting down  $\frac{1}{2}$ " to prevent the glides from passing the joint.

### 6. Install the Anchor Channel Clips and Secure the Anchor Panels

Use the closure channel to measure and align the channel clips. Align the channel on one of the door jambs. Make sure the channel is centered and plumb. Mark each of the closure channel screw holes and remove the closure channel. Make pilot holes (with a nail or a  $\frac{3}{32}$ " drill bit) and install the channel clips loosely, using the flathead screws. Align the clips vertically and fully tighten the screws. Press the door anchor panel onto them until it snaps into place. Repeat on the other door jamb.

### 7. Install the Closure Channel

Align the closure channel on the lead edge of one of the doors so that it is flush with the top and bottom of the door. Mark the pre-drilled holes in the closure channel. Set the closure channel aside and drill pilot holes where you marked the lead edge. Secure the closure channel to the lead edge with the flathead screws.

### 8. Attach the Door Latch

Close the door until almost fully closed and mark the location on the closure channel where the latch hole on the lead edge would hit the channel. Place the top of the door latch piece at this location on the closure channel and secure the latch with a flathead screw. Once the door is in the closed position and the door is latched, the key can be used to lock the door.

