

Karran quartz sinks are manufactured from durable quartz composite material that makes them incredibly tough and resilient to even the toughest daily kitchen tasks. They contain 80% natural quartz crystals and 20% high performance acrylic resins. These materials provide high scratch, stain, chip and heat resistance. This stylish undermount design is available in a selection of 6 elegant color choices.

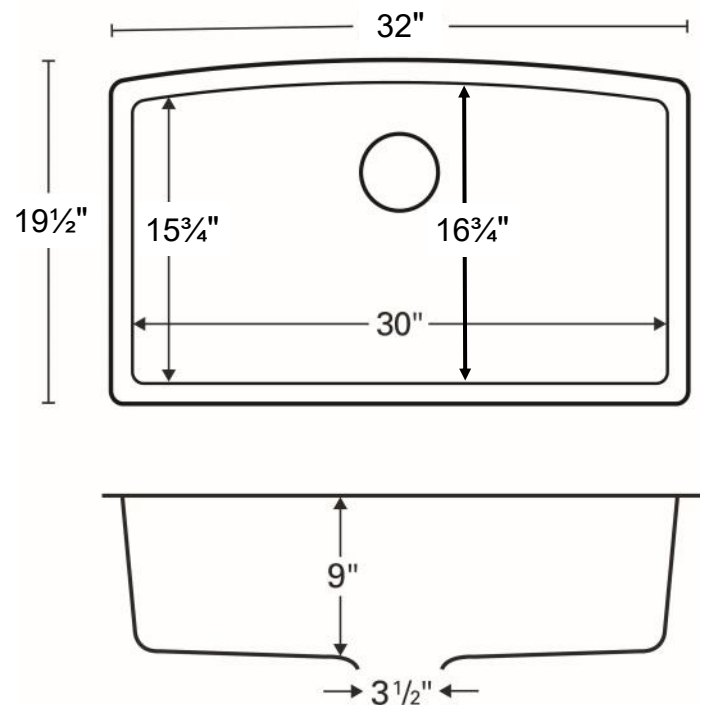
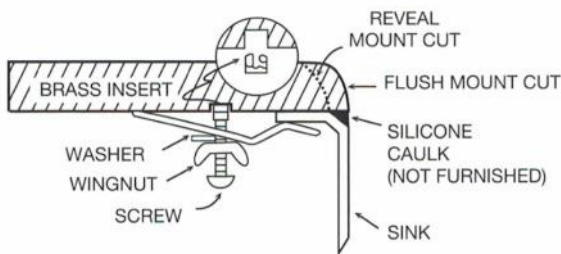


Sinks are listed with IAPMO and meet the requirements of the Uniform Plumbing Code, International Plumbing Code and the National Plumbing Code of Canada.

<b>Series:</b>	Quartz QU Series
<b>Material:</b>	80% quartz / 20% acrylic resin
<b>Installation Type:</b>	Undermount
<b>Configuration:</b>	Large single bowl
<b>Overall dimensions:</b>	32" x 19-1/2"
<b>Internal dimensions:</b>	30" x 16-3/4" x 9"
<b>Drain size:</b>	3-1/2"
<b>Min. cabinet size:</b>	36"
<b>Template / clips included:</b>	Yes
<b>Accessories included:</b>	Stainless steel basket strainer, stainless steel bottom grid, Luster Pro cleaning oil
<b>Finishes / Colors:</b>	Bisque, Concrete, White, Black, Grey, Brown



**INSTALLATION PROFILE**



**PROJECT INFORMATION**

PROJECT: \_\_\_\_\_

CONTACT: \_\_\_\_\_

DATE: \_\_\_\_\_

NOTES: \_\_\_\_\_

\_\_\_\_\_

\_\_\_\_\_

**APPROVAL:**

**OPTIONAL ACCESSORIES**

MODELS	COLOR	STRAINER	FLANGE
• QU-712-WH	White	QBSWH	QDFWH
• QU-712-BI	Bisque	QBSBI	QDFBI
• QU-712-BL	Black	QBSBL	QDFBL
• QU-712-BR	Brown	QBSBR	QDFBR
• QU-712-CN	Concrete	QBSCN	QDFCN
• QU-712-GR	Grey	QBSGR	QDFGR

We reserve the right to update product specifications without notice. Please visit [karran.com](http://karran.com) for the most current specification sheets. All dimensions are accurate to 1/4". REV 05-2022