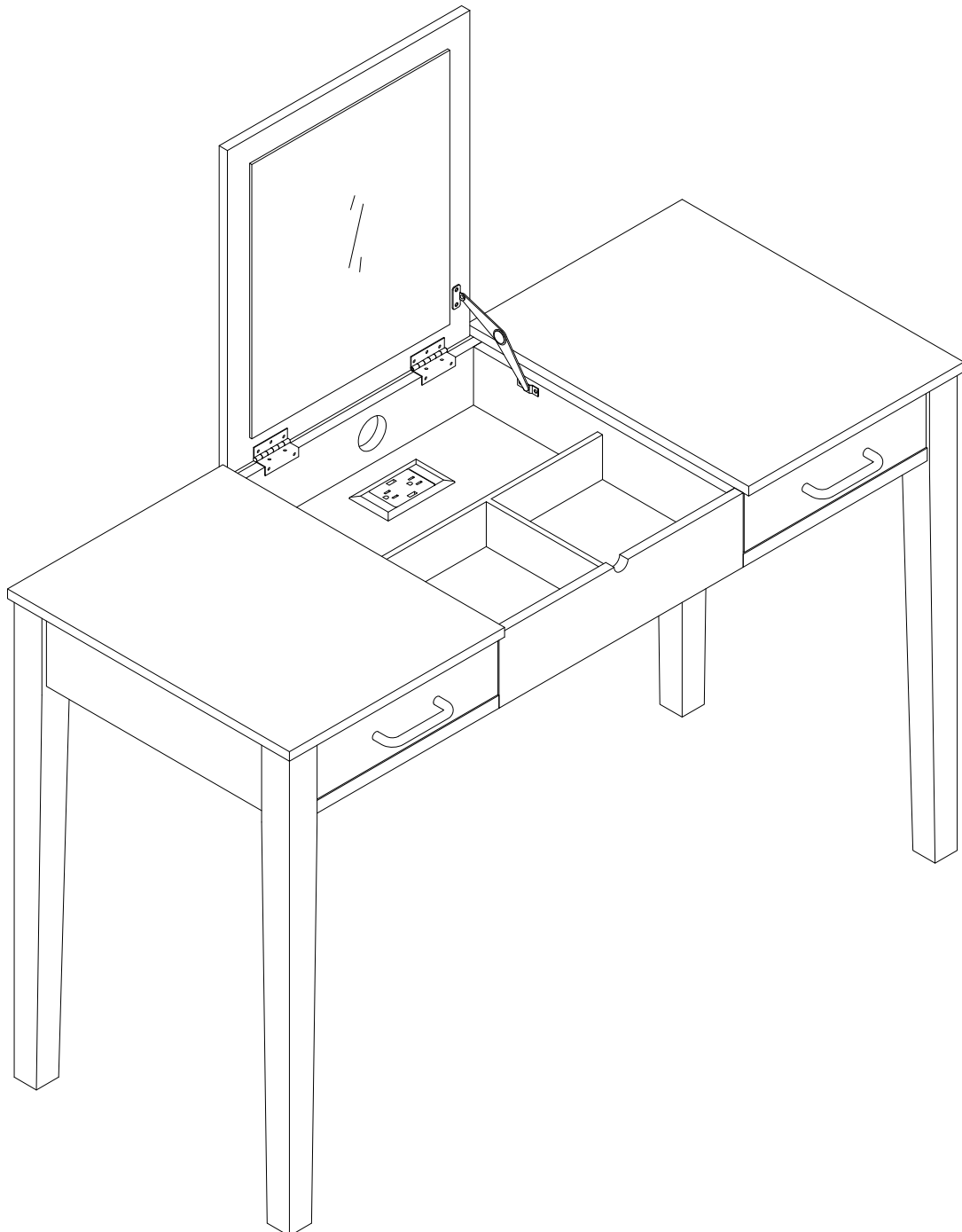
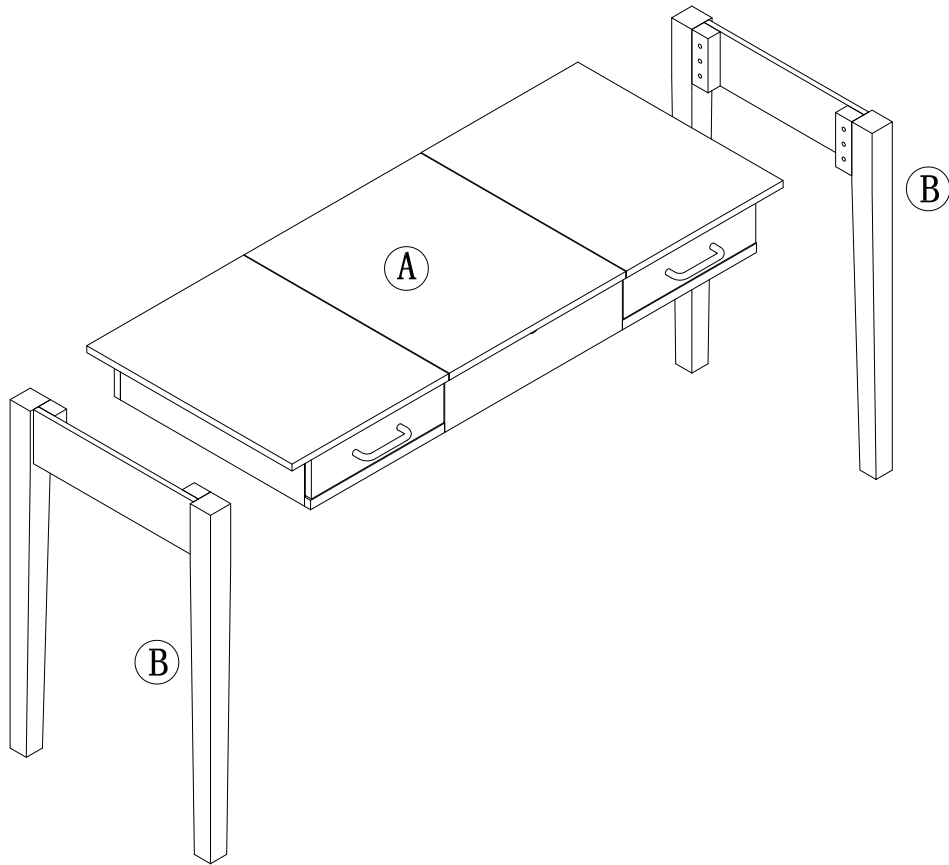


HIVES HONEY

ASSEMBLY INSTRUCTIONS

Ainsley Desk

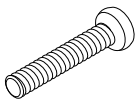




PART LIST

Ⓐ	Cabinet body	1pcs											
Ⓑ	Side Panel	2pcs											

Hardware List



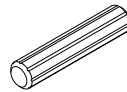
①

φ6*40=8pcs



②

φ6=8pcs



③

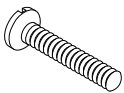
φ8*30=4pcs



④

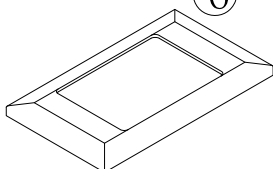
φ4=1pcs

⑤

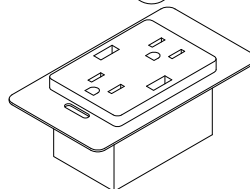


φ4*30=2pcs

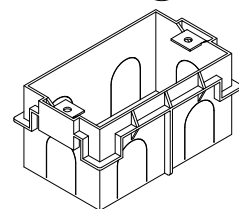
⑥



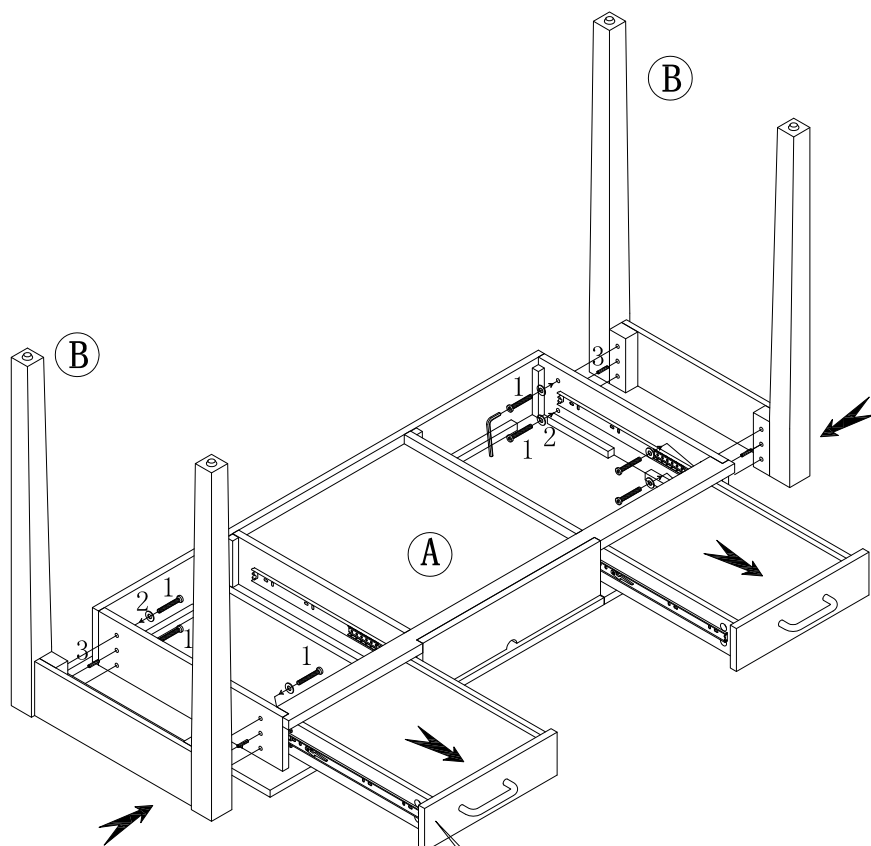
⑦







⑧



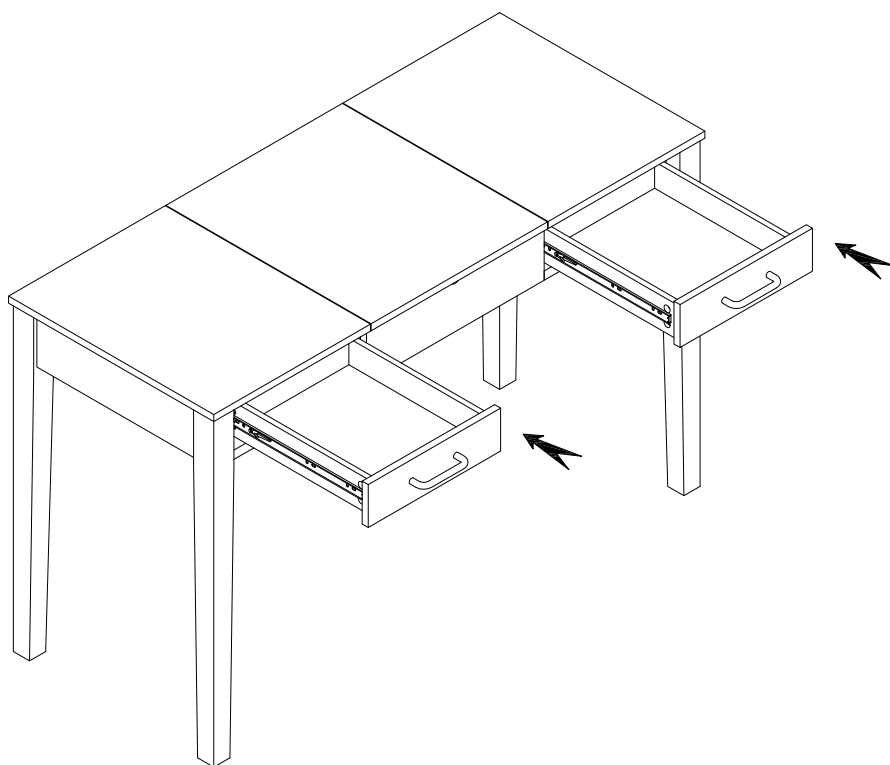
Step 1



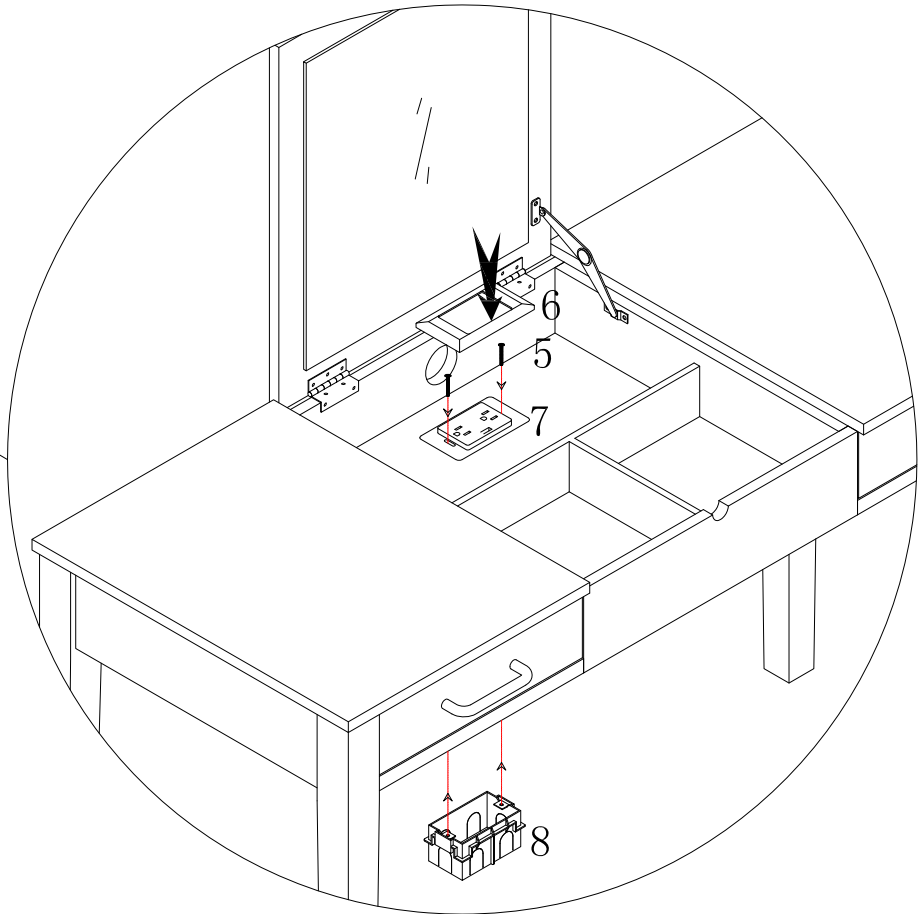
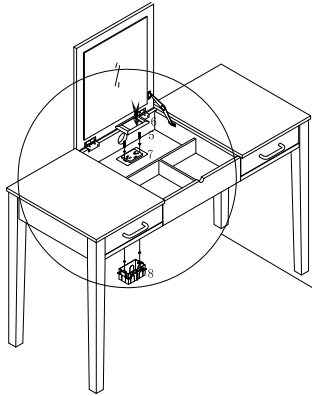
1:		8pcs
2:		8pcs
3:		4pcs
4:		1ps

Note: pull the drawer out and insert the bolts

step 2



step 3



5:  2pcs

6:  1pcs

7:  1pcs

8:  1ps

Finish

