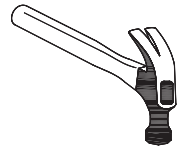
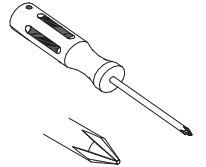
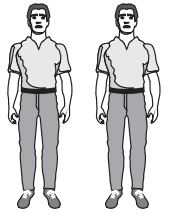


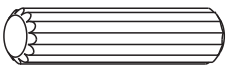
ASSEMBLY INSTRUCTIONS



00:45 Hs



HARDWARE INCLUDED



A - 8,0x30
Qty. 76



B - 4,0x30
Qty. 89



C - M4x22
Qty. 12



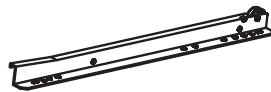
D - 4,0x14
Qty. 50



E - Slide Left 330mm
Qty. 06



F - Slide Right 330mm
Qty. 06



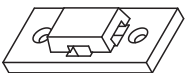
G - Slide Left 330mm
Qty. 06



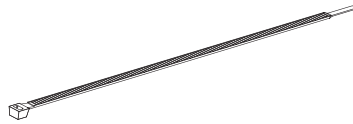
H - Slide Right 330mm
Qty. 06



I - H Profile 644mm
Qty. 02



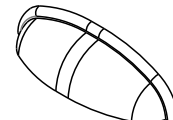
J - Plastic wall bracket
Qty. 02



K - Nylon strap 140mm
Qty. 01

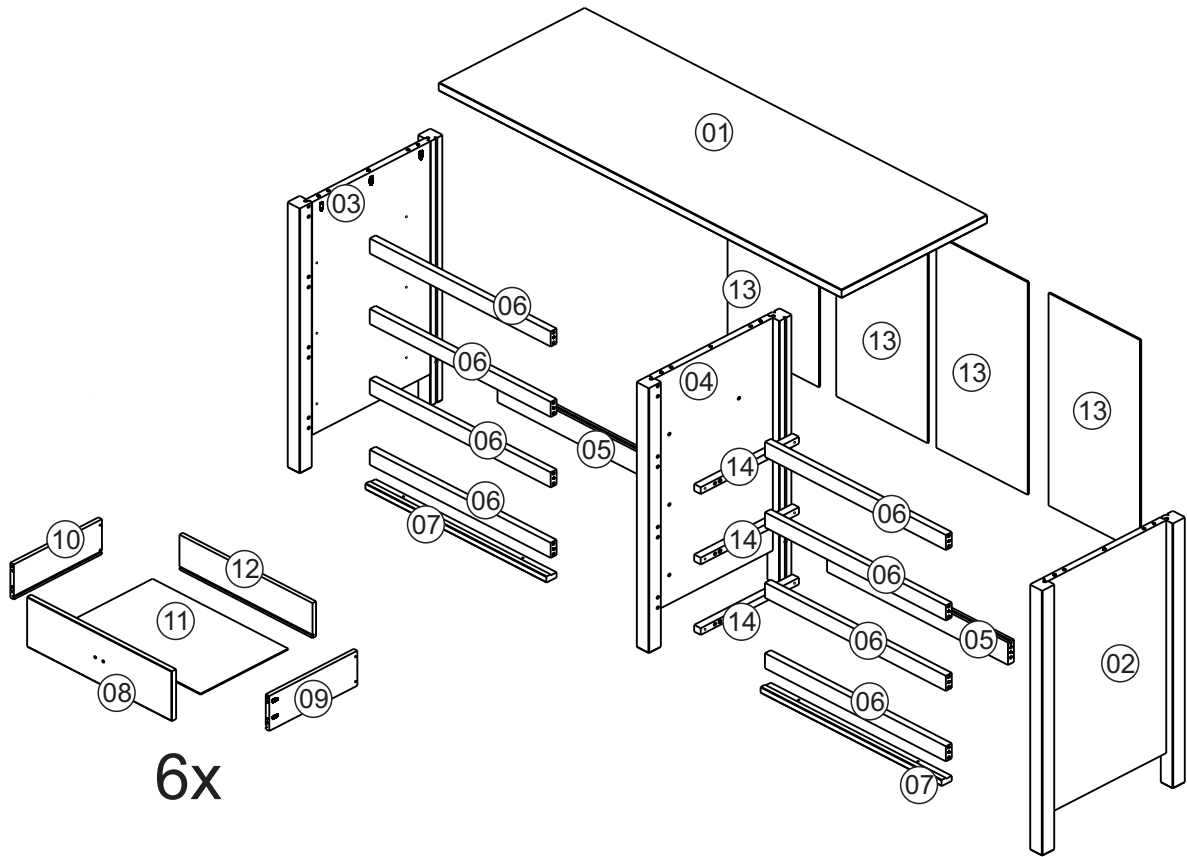


L - 6mm
Qty. 02

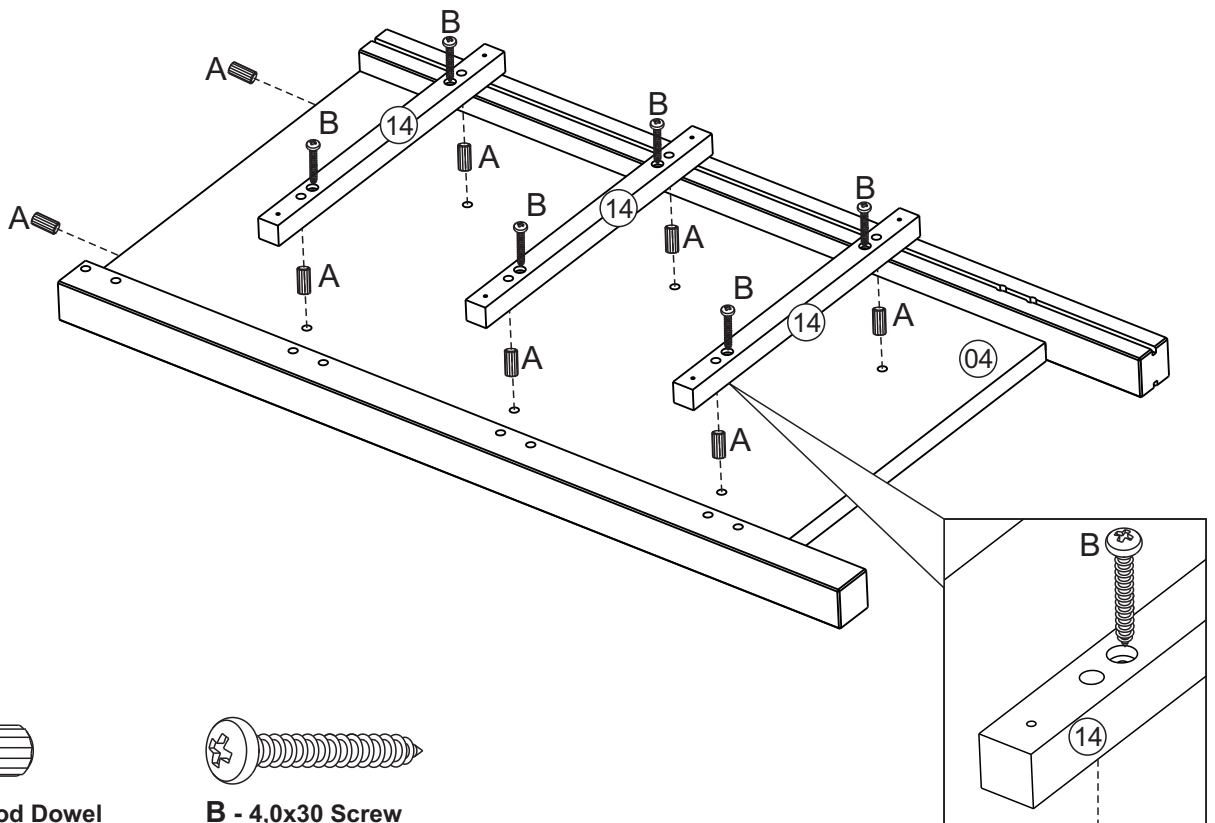


M - Drawer Knob
Qty. 06

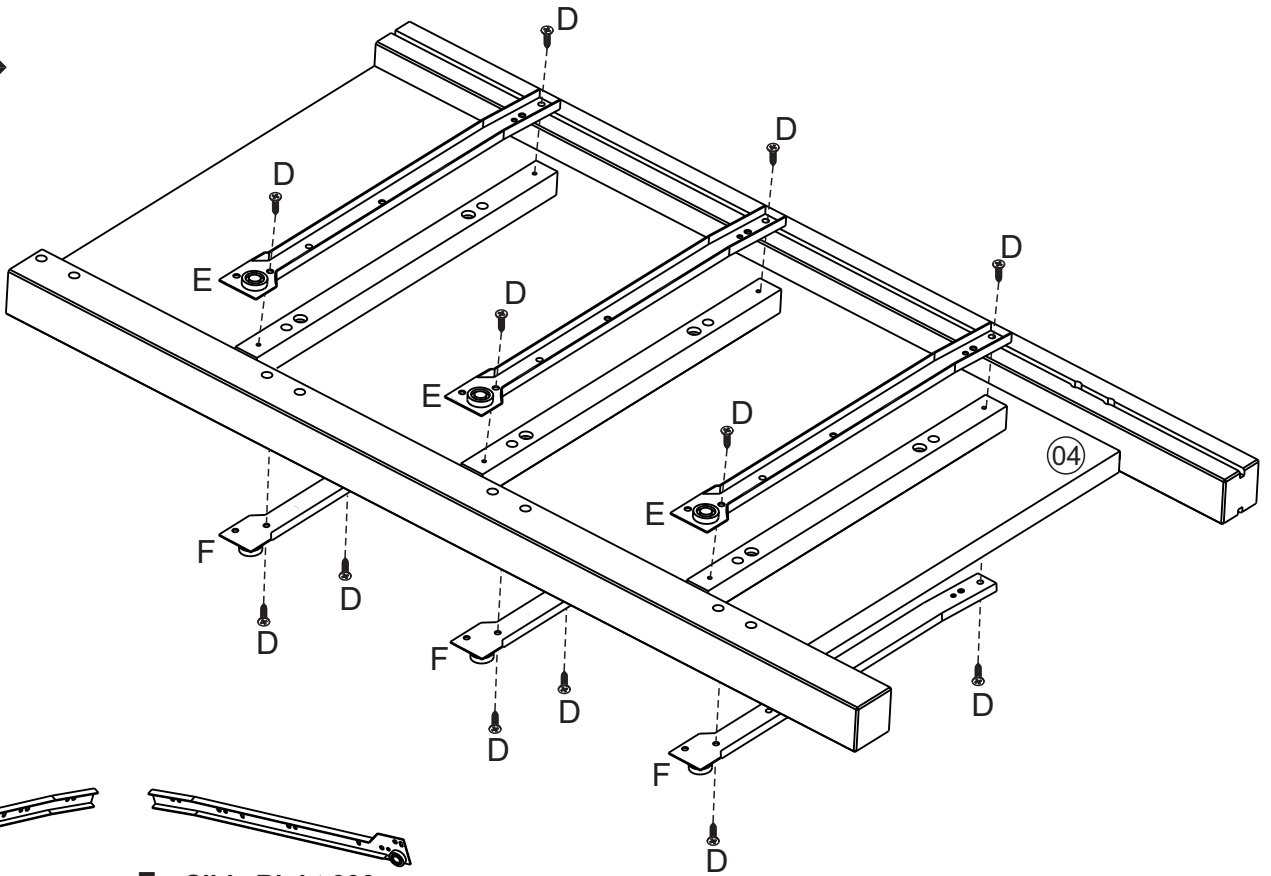
PARTS INCLUDED



STEP 1



STEP 2



D - 4,0x14
Qty. 12

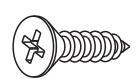
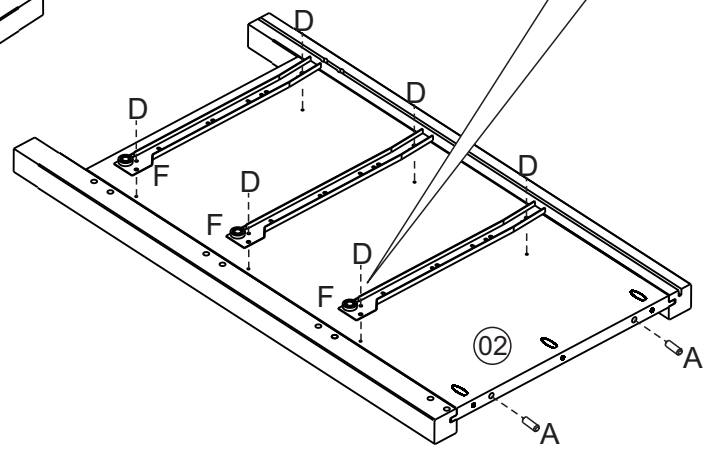
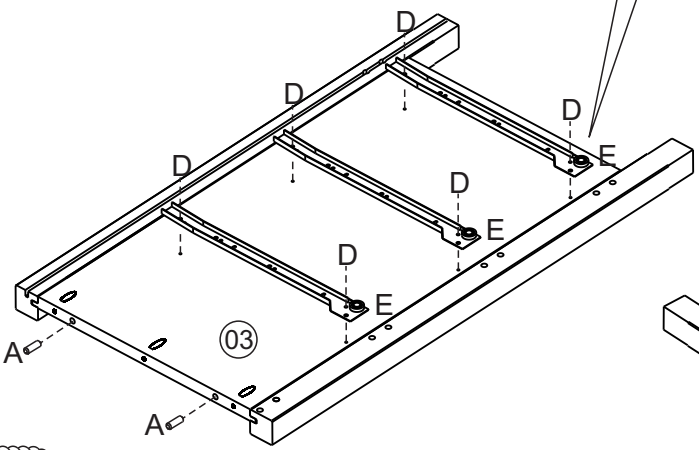
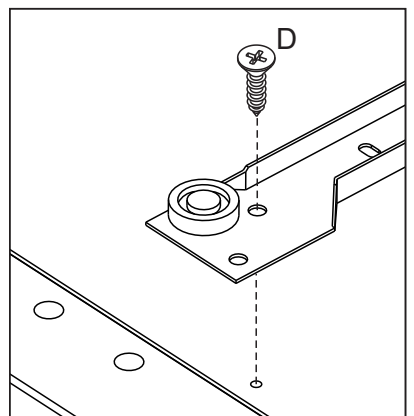
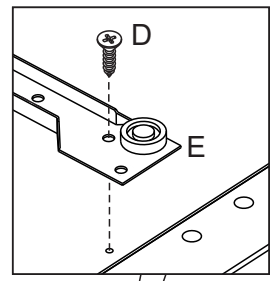


E - Slide Left 330mm
Qty. 03

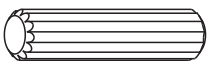


F - Slide Right 330mm
Qty. 03

STEP 3



D - 4,0x14
Qty. 12



A - 8,0x30 Wood Dowel
Qty. 04

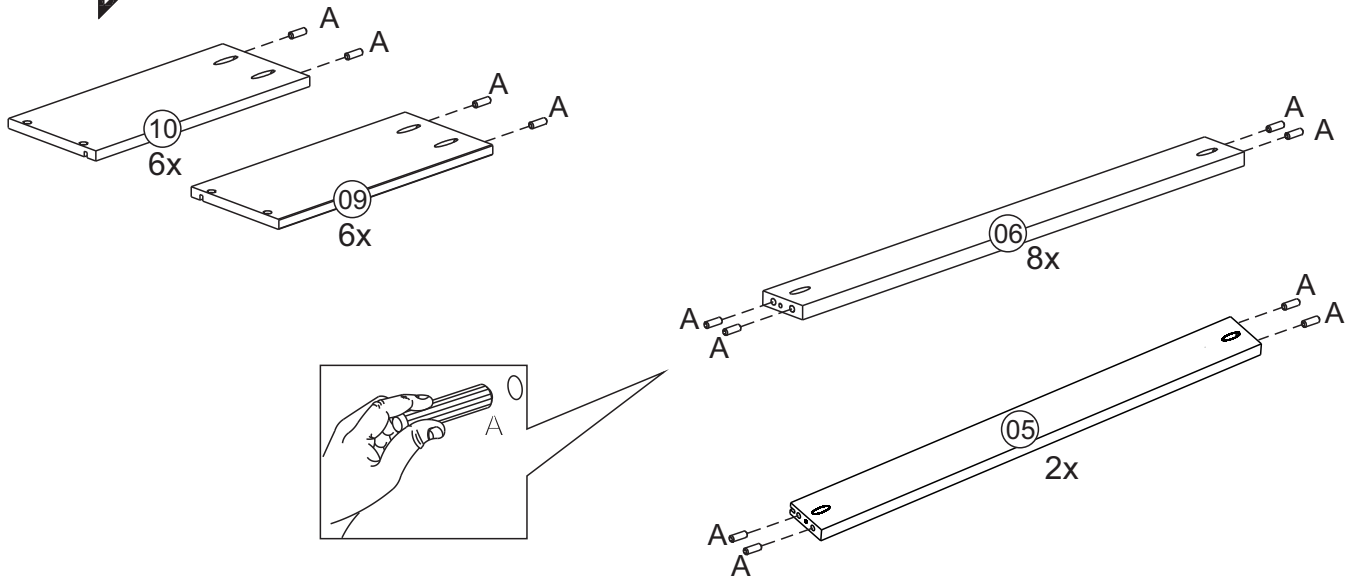


E - Slide Left 330mm
Qty. 03



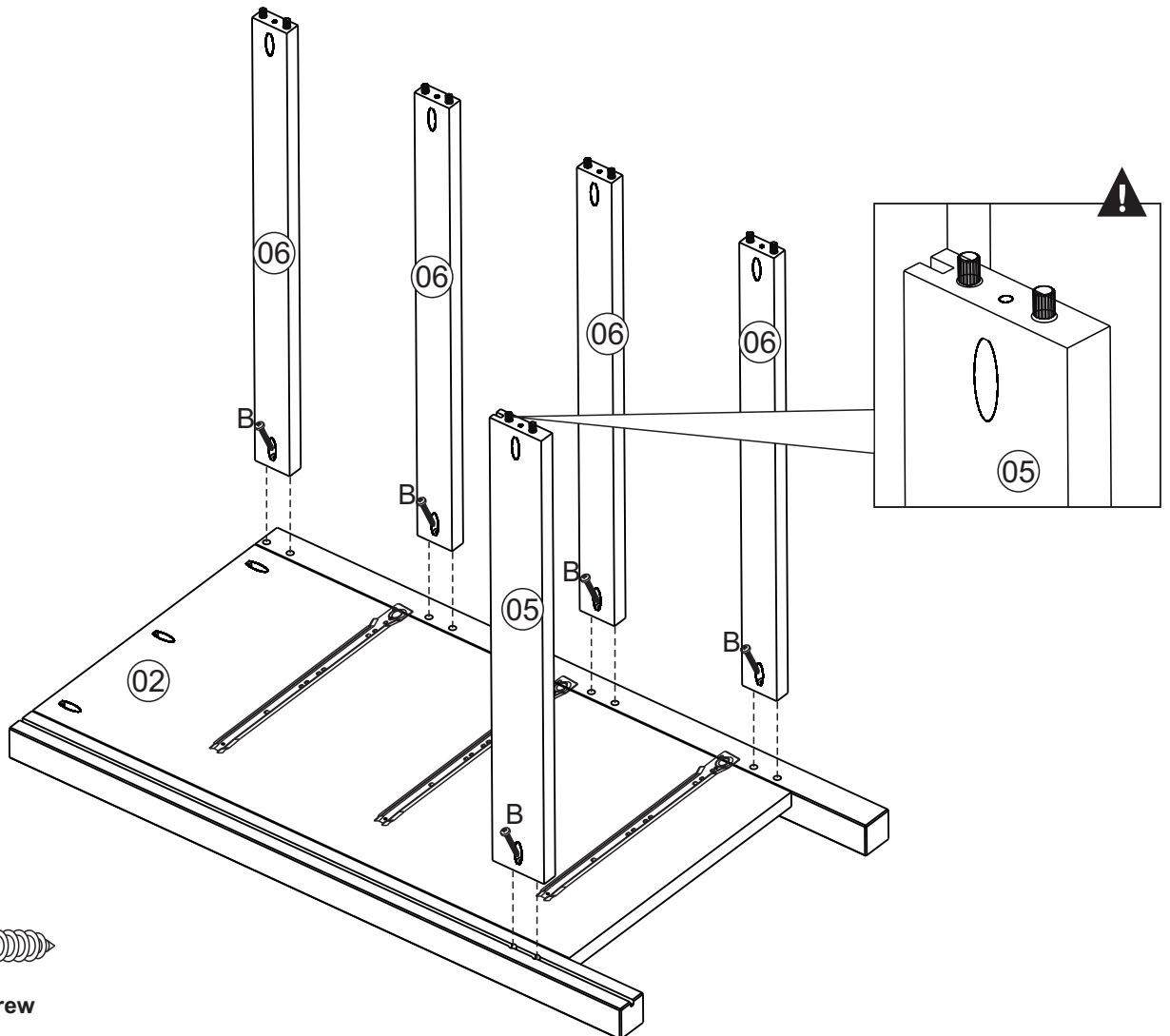
F - Slide Right 330mm
Qty. 03

STEP 4



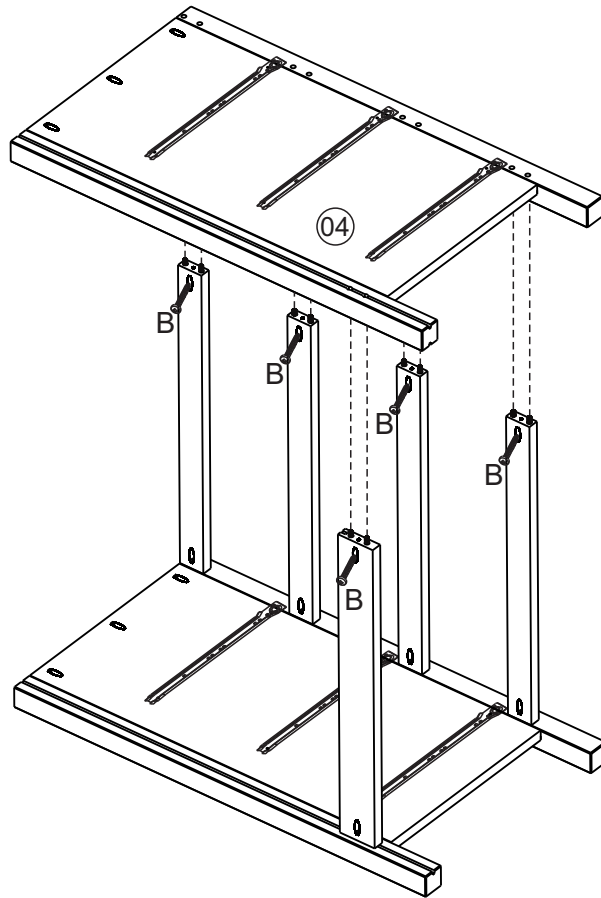
A - 8,0x30 Wood Dowel
Qty. 64

STEP 5



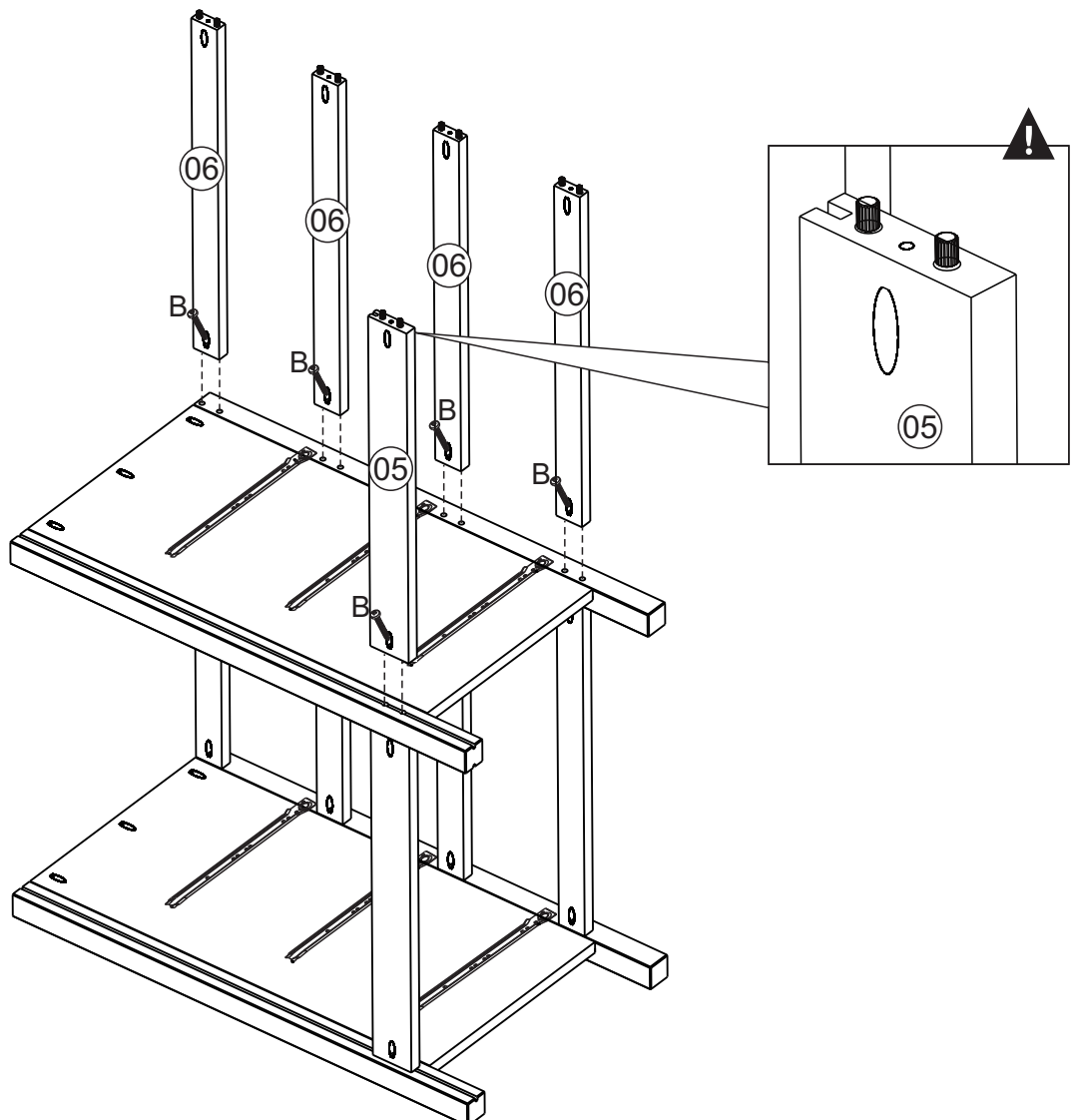
B - 4,0x30 Screw
Qty. 05

STEP 6



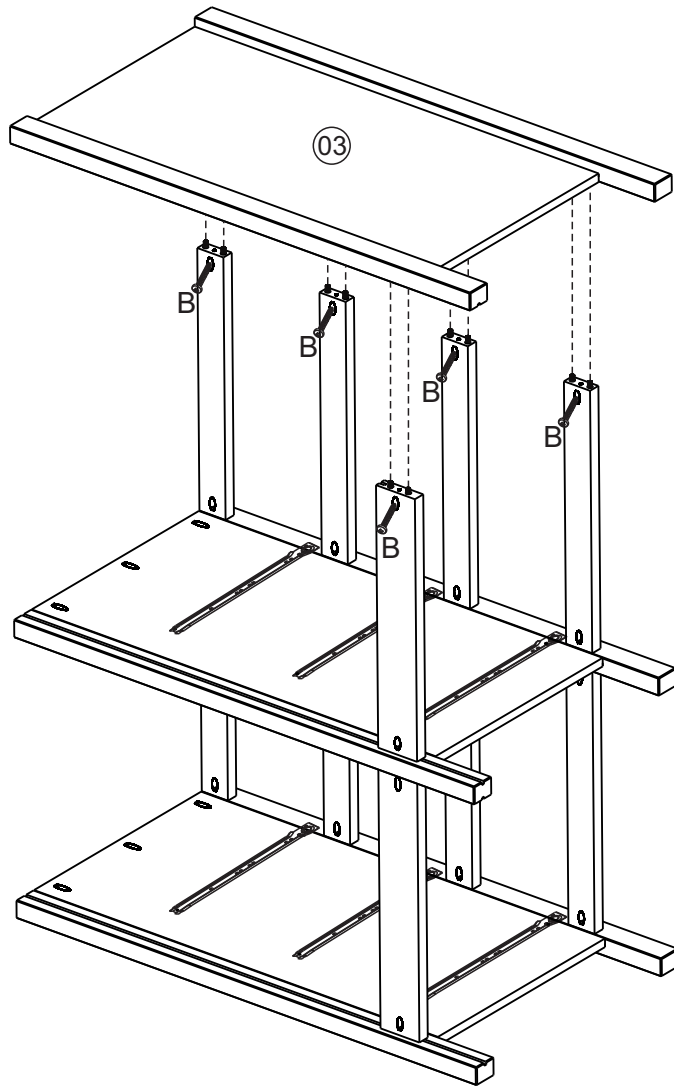
B - 4,0x30 Screw
Qty. 05

STEP 7



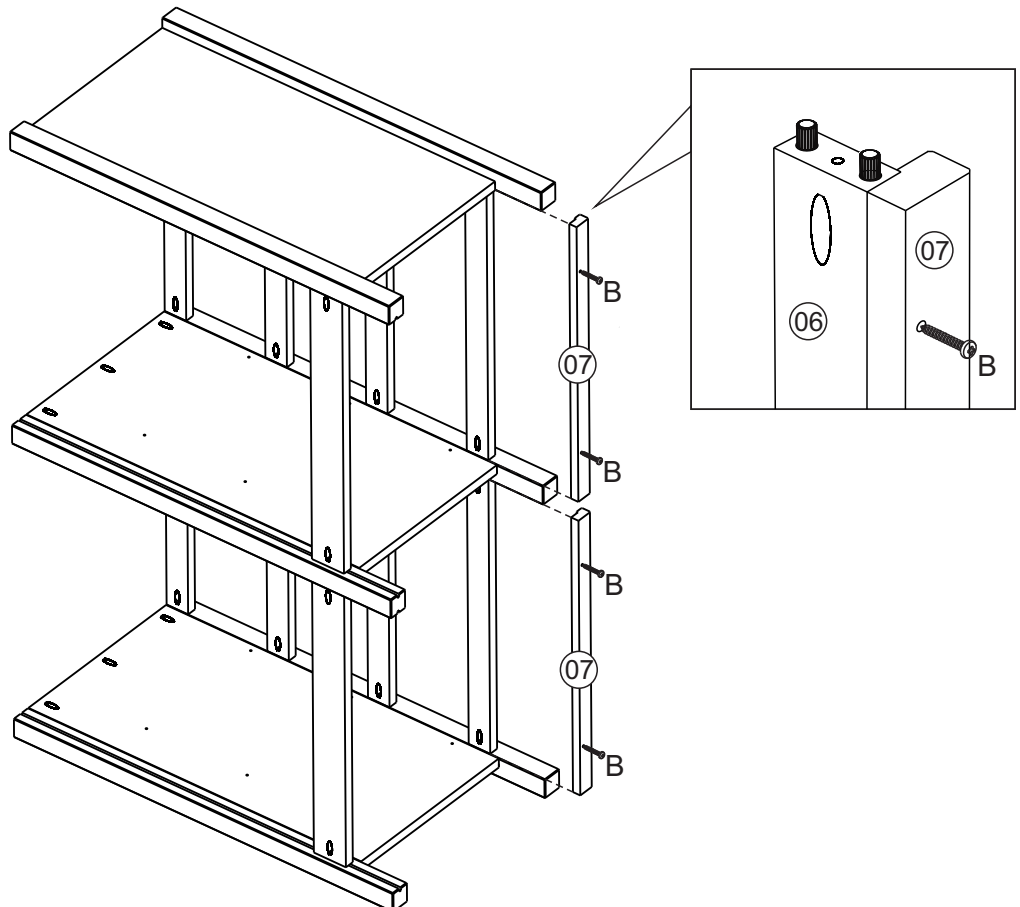
B - 4,0x30 Screw
Qty. 05

STEP 8



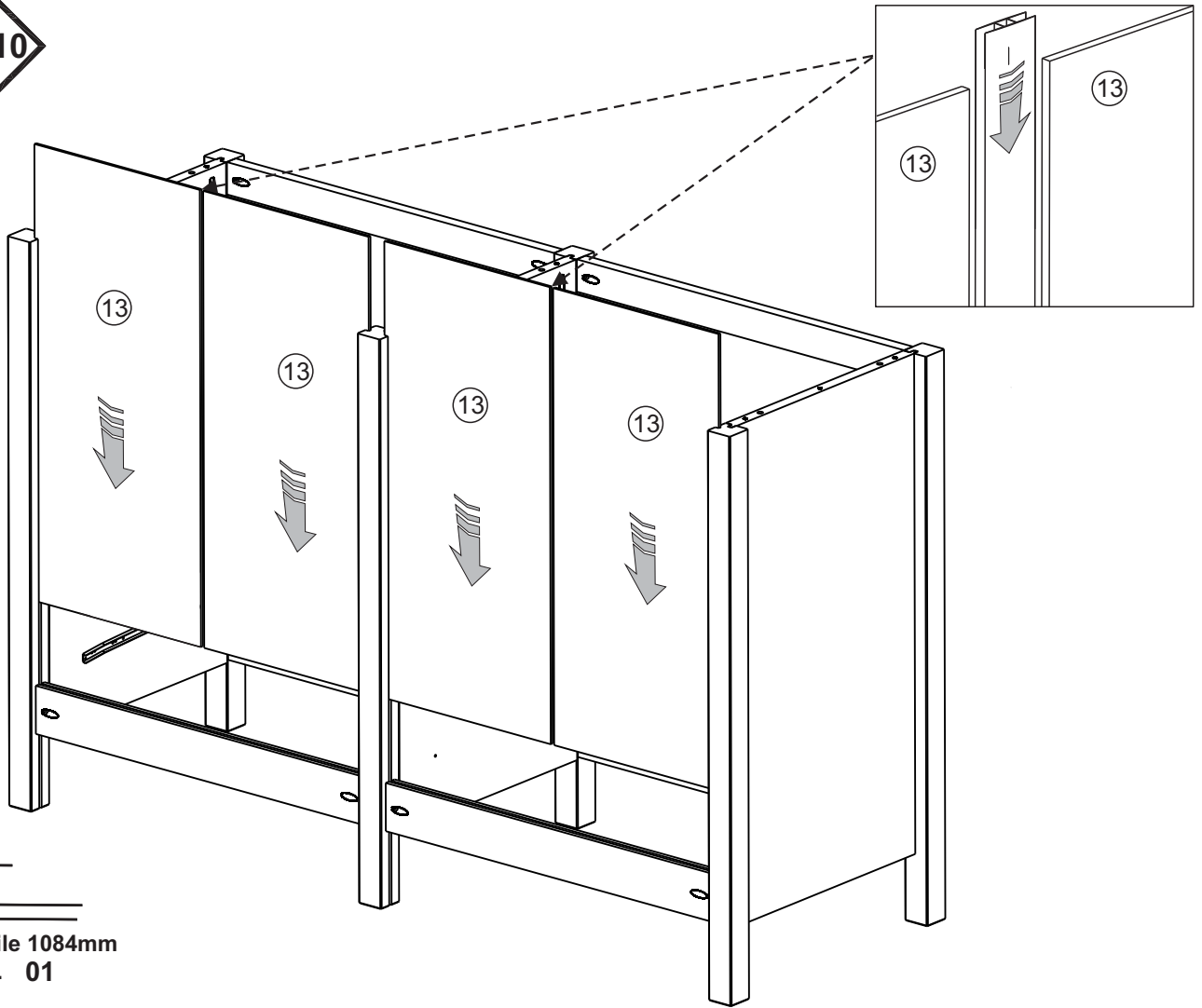
B - 4,0x30 Screw
Qty. 05

STEP 9



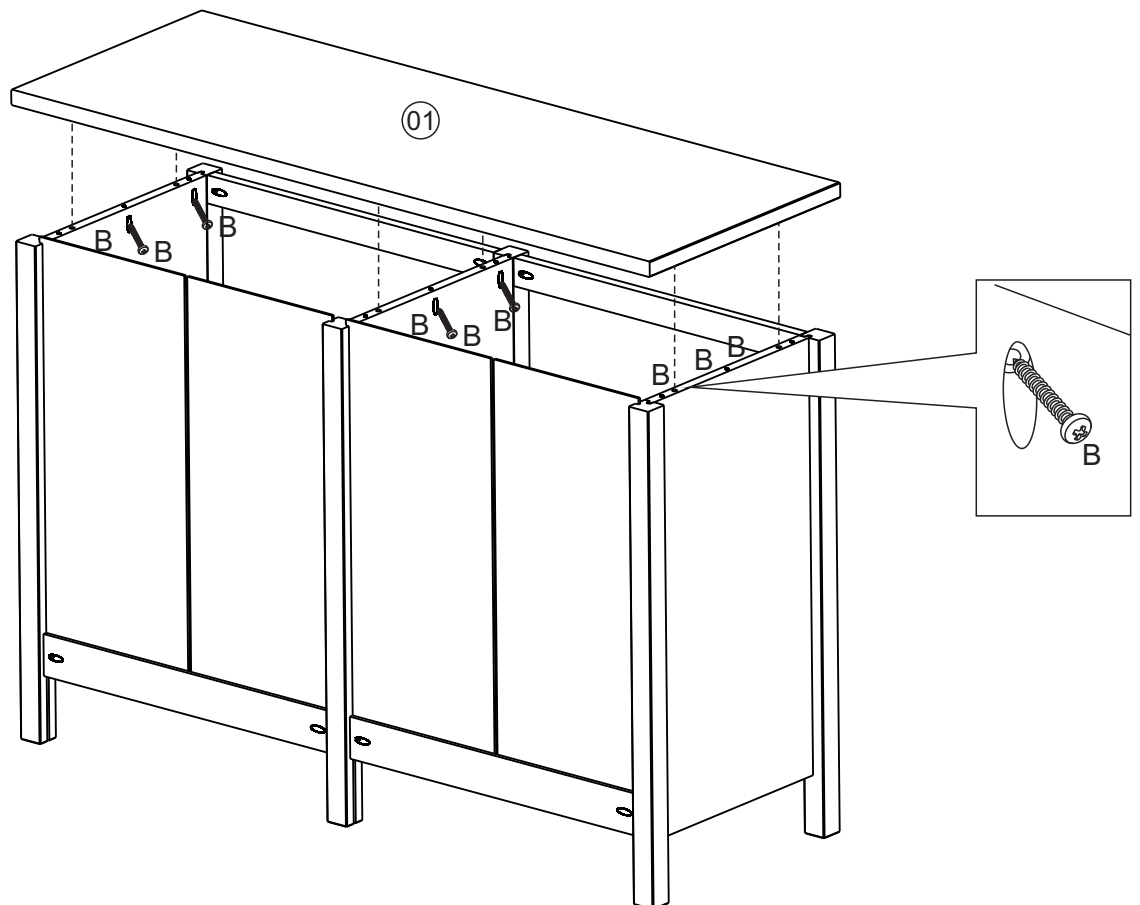
B - 4,0x30 Screw
Qty. 04

STEP 10



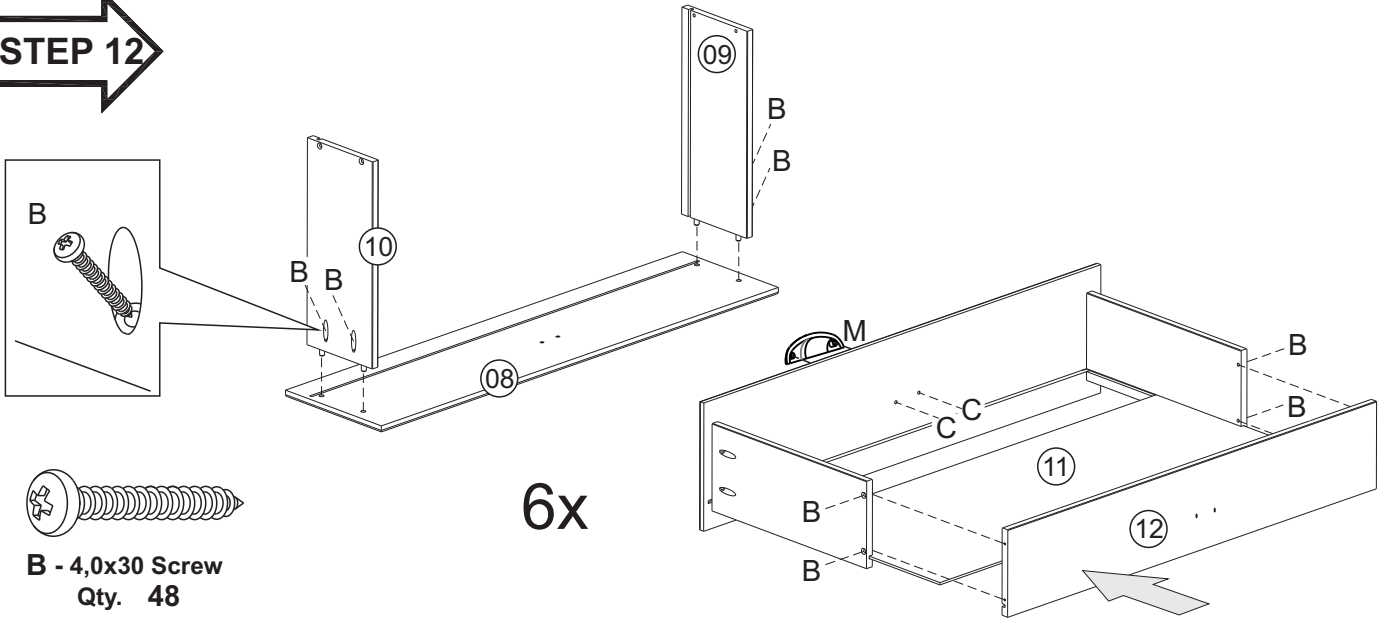
I - H Profile 1084mm
Qty. 01

STEP 11



B - 4,0x30 Screw
Qty. 09

STEP 12



B - 4,0x30 Screw
Qty. 48

6x



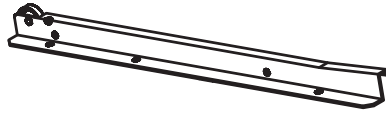
C - M4x25
Qty. 12



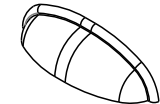
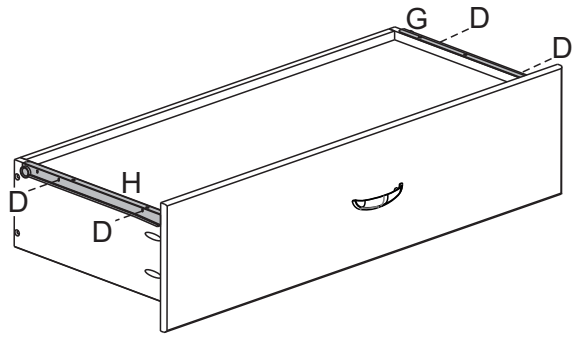
D - 4,0x14 Screw
Qty. 24



G - Slide Left 330mm
Qty. 06

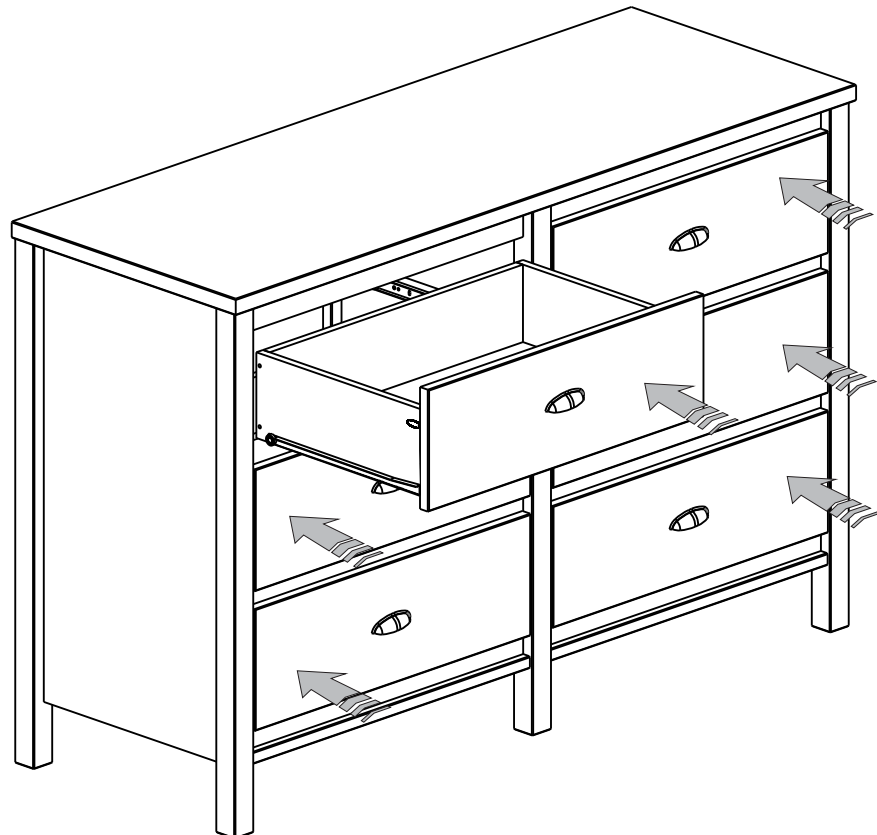


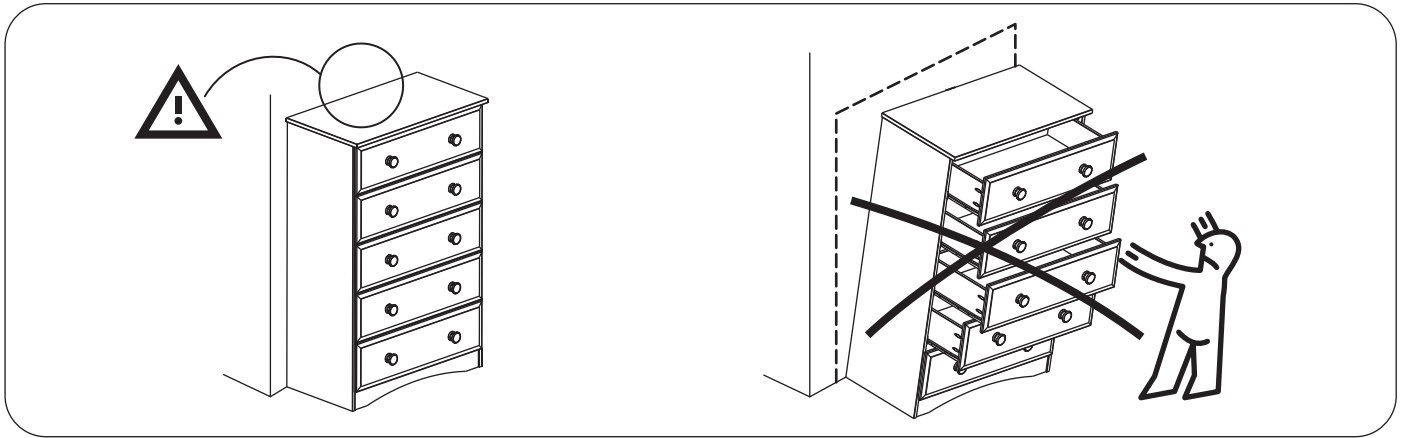
H - Slide Right 330mm
Qty. 06



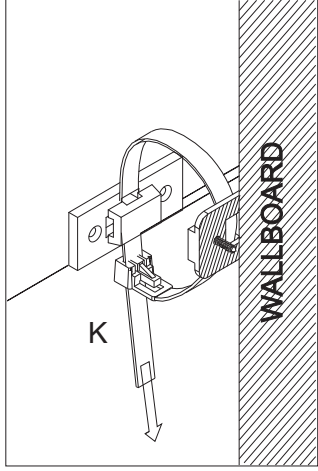
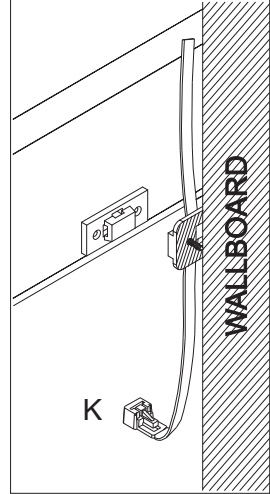
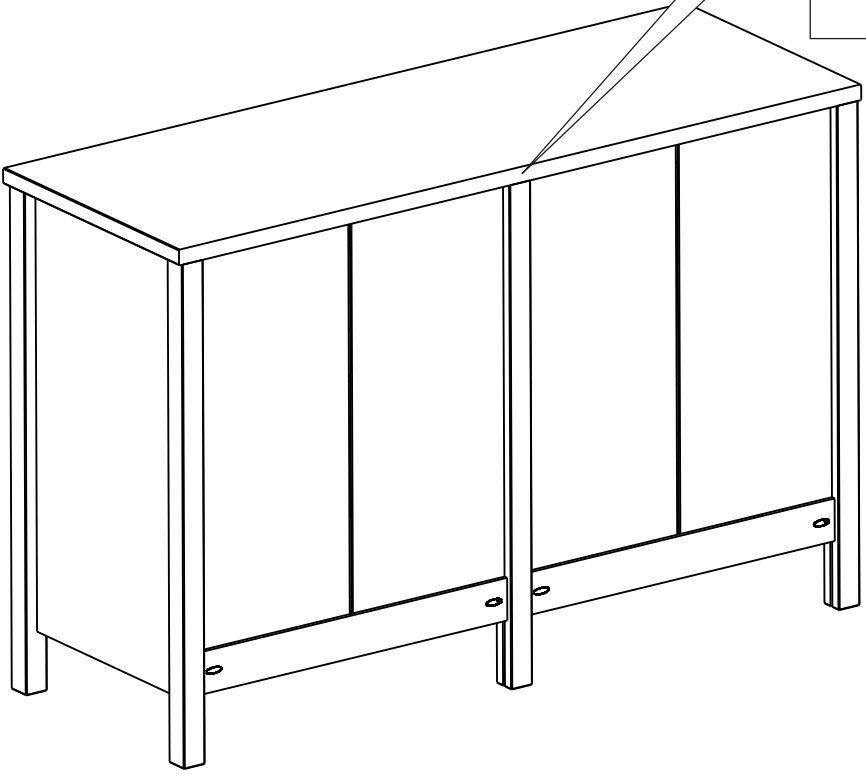
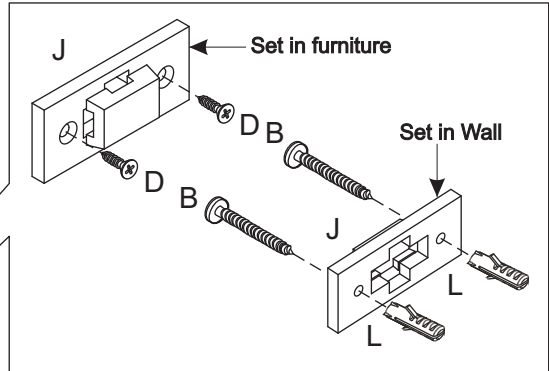
M - Drawer Knob
Qty. 06

STEP 13

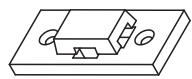




Anti-Tip Kit



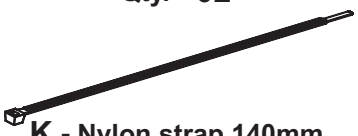
B - 4,0x30 Screw
Qty. 02



J - Plastic wall bracket
Qty. 02



D - 4,0x14 Screw
Qty. 02



K - Nylon strap 140mm
Qty. 01



L - Plastic screw anchor 6mm
Qty. 02