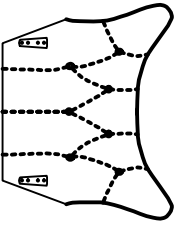

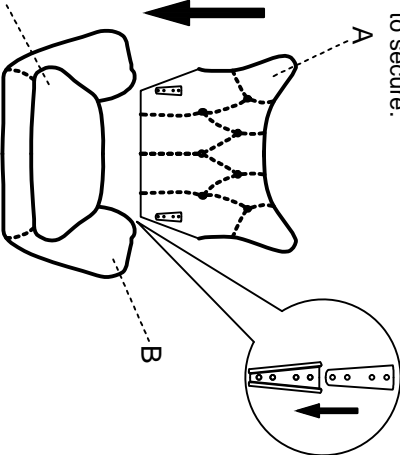
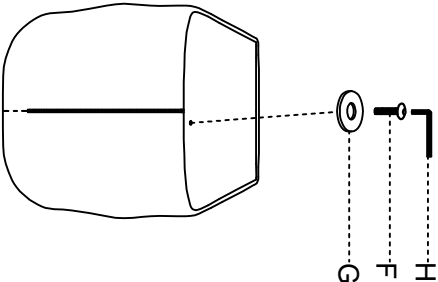
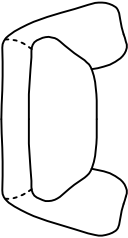

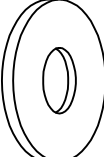
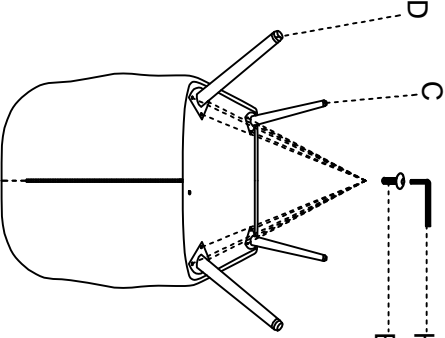



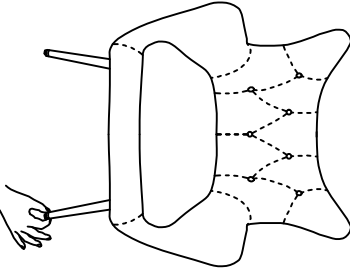
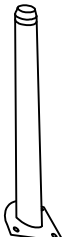


Assembly Instructions

Item No:CHDT0103 KD

<p>A*1</p> 	<p>E*12 M6*16mm</p> 	<p>① Carefully align male and female bracket then insert backrest A into space between armrest, push all the way down to secure.</p> 	<p>② Use bolt F, flat washer G, allen key H to connect chair back with cushion. Fasten bolts to secure.</p> 
<p>B*1</p> 	<p>F*1 M6*40mm</p> 	<p>G*1 M6</p>  <p>Attention: Remove the seat cushion before assembly, and return it to the seat cushion after assembly</p>	<p>③ Place the Seat B on a clean padded surface. Use bolt E allen key H to attach the leg C and D to bottom of the seat B.</p> 
<p>C*2(FRONT)</p> 	<p>H*1 M5</p> 	<p>E*1 M6*16mm</p> <p>EXTRA PARTS</p> 	<p>④ Assembly completed.</p> <p>Attention: After installation, adjust the adjustable leveler to keep the chair balanced. Be sure to check all packing material carefully for small parts, which may have come loose inside the carton during shipment.</p> 
<p>D*2(BACK)</p> 	<p>F*1 M6*40mm</p> <p>EXTRA PARTS</p> 