

2 1/4" W X 5" D X 7" H STOCKPORT BRACKET

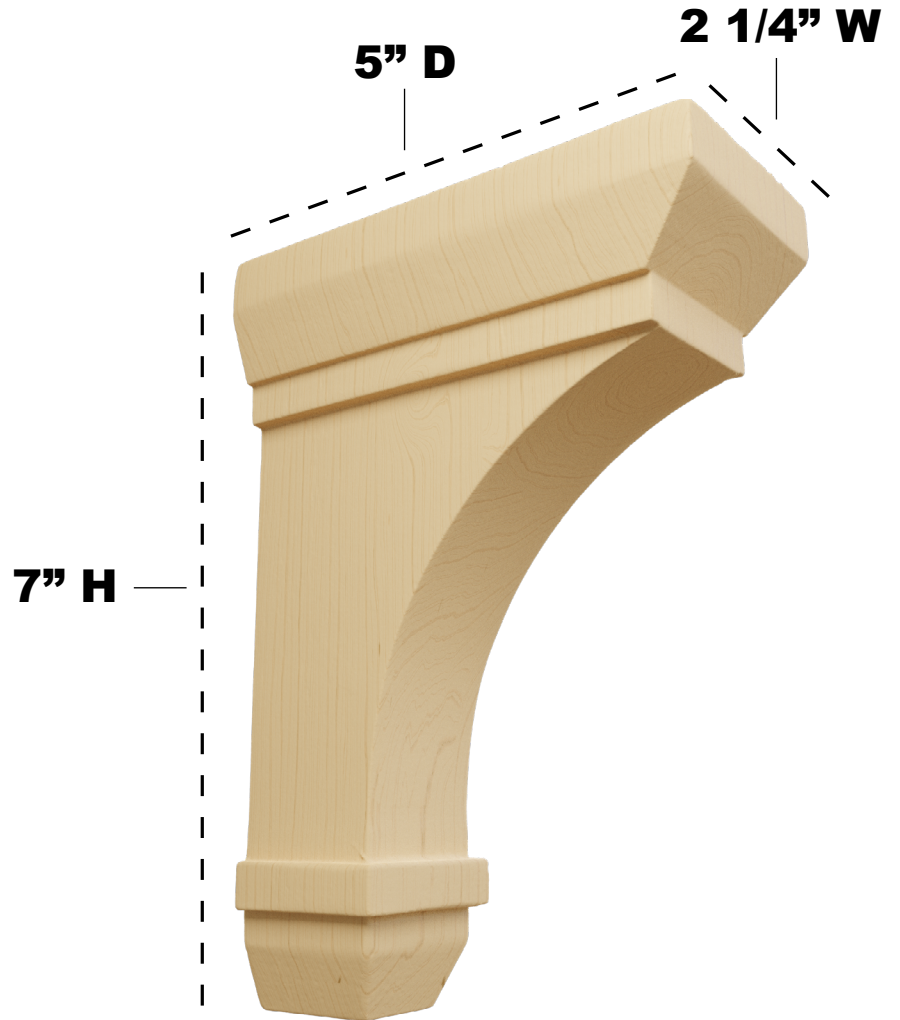
ITEM NO.: BKT02X05X07ST



FRONT VIEW



PROFILE VIEW



**AVAILABLE
WOOD
SPECIES:**



ALDER



CHERRY



MAPLE



RED OAK



RUBBERWOOD



EKENA
MILLWORK

P: 866.607.0453 | F: 866.591.3143

2300 W. Main St. | Clarksville, TX 75426

sales@ekenamillwork.com | www.ekenamillwork.com