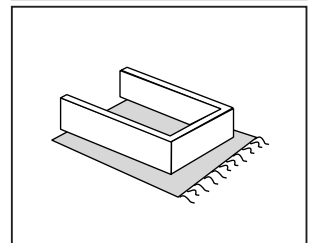
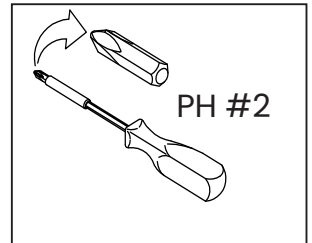
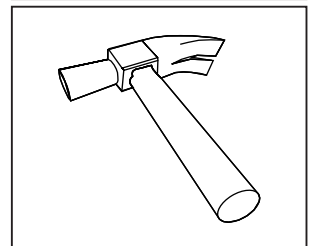
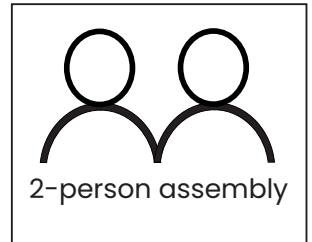
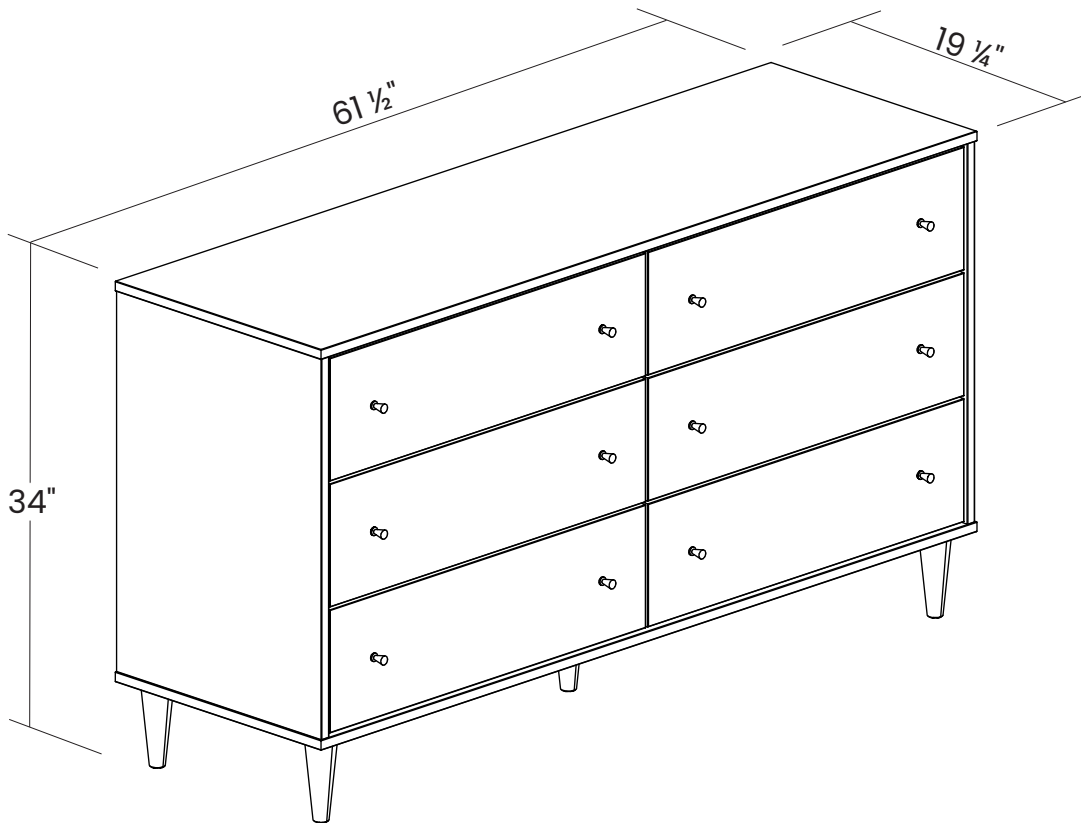


Assembly Instructions



Model #	Finish
MC0505	Brushed Walnut

Thank you for choosing Grain Wood Furniture, it is an honor to be in your home!
If you have any questions, feedback, or need replacement parts please contact us at:
grainwoodfurniture.com/help or support@grainwoodfurniture.com

**Mid Century
6-Drawer Dresser**




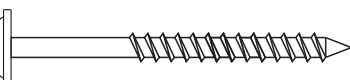
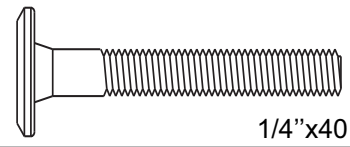

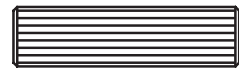
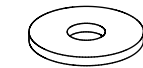
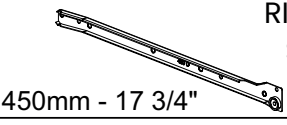
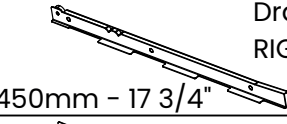
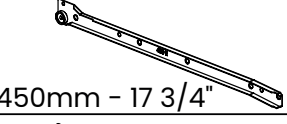
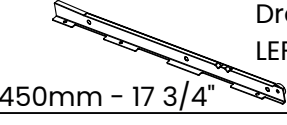
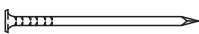
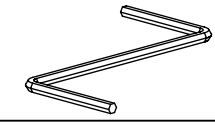

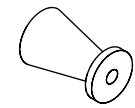
GrainWood
FURNITURE.COM


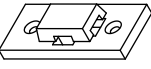

PLEASE READ BELOW BEFORE BEGINNING ASSEMBLY

- Enlist help from a friend or family member as most items require two people for proper assembly.
- Choose a spacious, open area near where the piece will be located once assembled. It is easier to move parts than to relocate the furniture after it is fully assembled.
- Do not throw away packaging material until assembly is complete.
- Assemble the item on a soft surface, such as cardboard or an old blanket in order to protect the finish from possible dents or scratches.
- Lay out the parts in order and count them twice. In case any parts are missing or damaged, document the problem with pictures and contact support so we can make it right.
- Solid wood furniture may present imperfections such as wood knots, minor splits or cracks which are a natural aspect of the material. Whenever stability of the furniture is not compromised, we recommend customers perform cosmetic touch-ups with wax crayon fillers sold at all major hardware stores.
- It is best to use the tools provided in the box, such as a hex key, because they may be specially sized for the piece of furniture.
- We do not recommend the use of power drills as they can damage your furniture if not used correctly.
- Use a carpenter's square or hardcover book to check angles when assembling drawers and doors. If they are not at 90 degrees, they will not close properly.
- If you have any problems, we are here to help. Just go to grainwoodfurniture.com/help.
- See grainwoodfurniture.com/care-guide for suggestions that will help your furniture last for years.

Enjoy your 100% solid wood furniture!

HARDWARE LIST

A1	 4,0x30	57 + 4
A4	 3,5x14	12 + 1
A25	 M4x25	12 + 1
A40	 4,0x45	9 + 1
B25	 1/4"x40	5
B31	 6,0x10	48 + 2
C1	 8,0x30	66 + 3
D41	 5/16"x24x2	5 + 1
E17	 450mm - 17 3/4" RIGHT Side	6
E17	 450mm - 17 3/4" Drawer RIGHT	6
E18	 450mm - 17 3/4" LEFT Side	6
E18	 450mm - 17 3/4" Drawer LEFT	6
G1	 10x10	38
G8		1
G14		5
H16		12

ANTI-TIPPING RESTRAINT KIT		
A8	 3,0x20	2 + 1
F8		2
F9		1

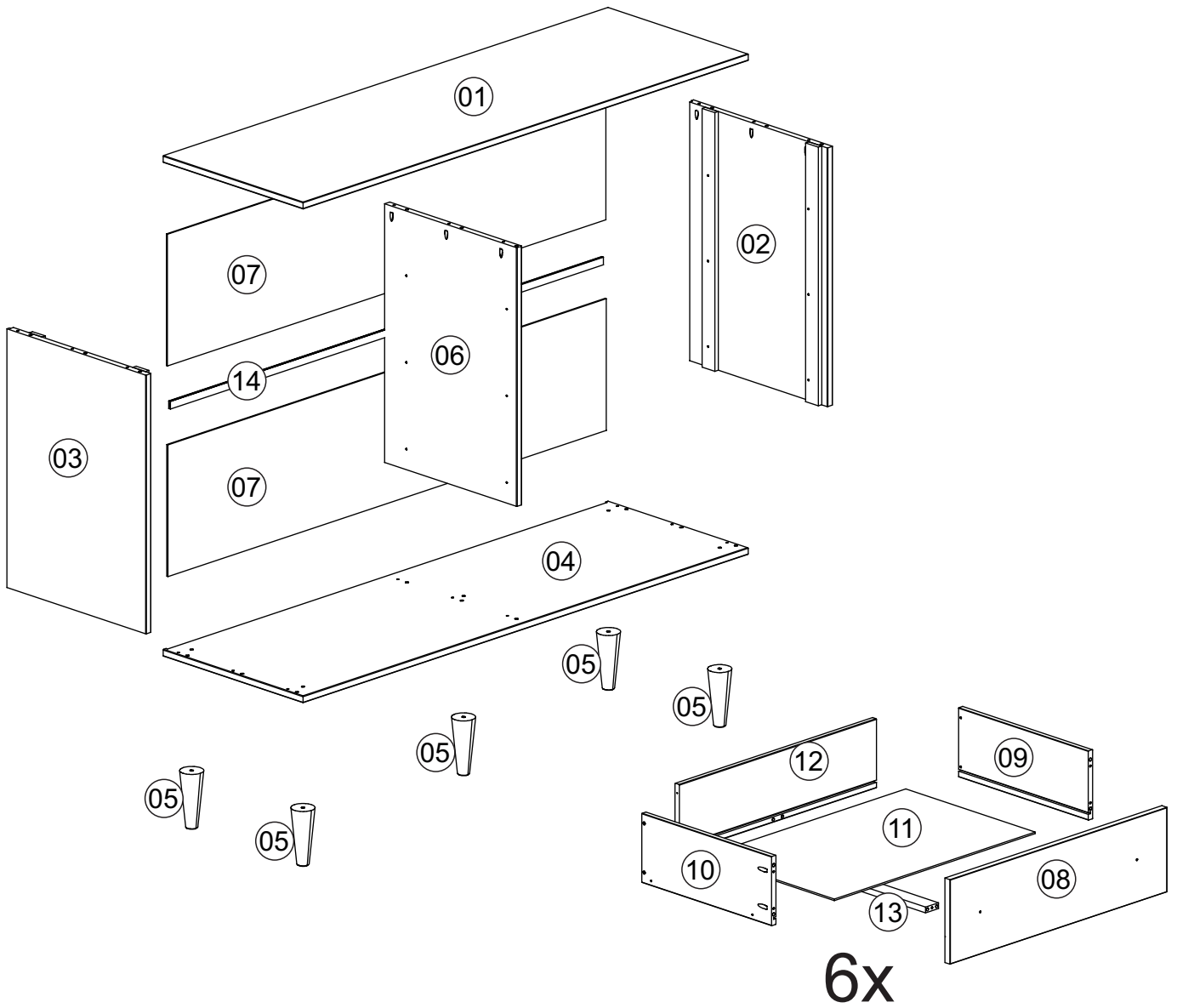
! ATTENTION

Before starting assembly please verify the hardware set is complete.

For missing hardware please contact us at grainwoodfurniture.com/help

WARNING:
CHOKING HAZARD

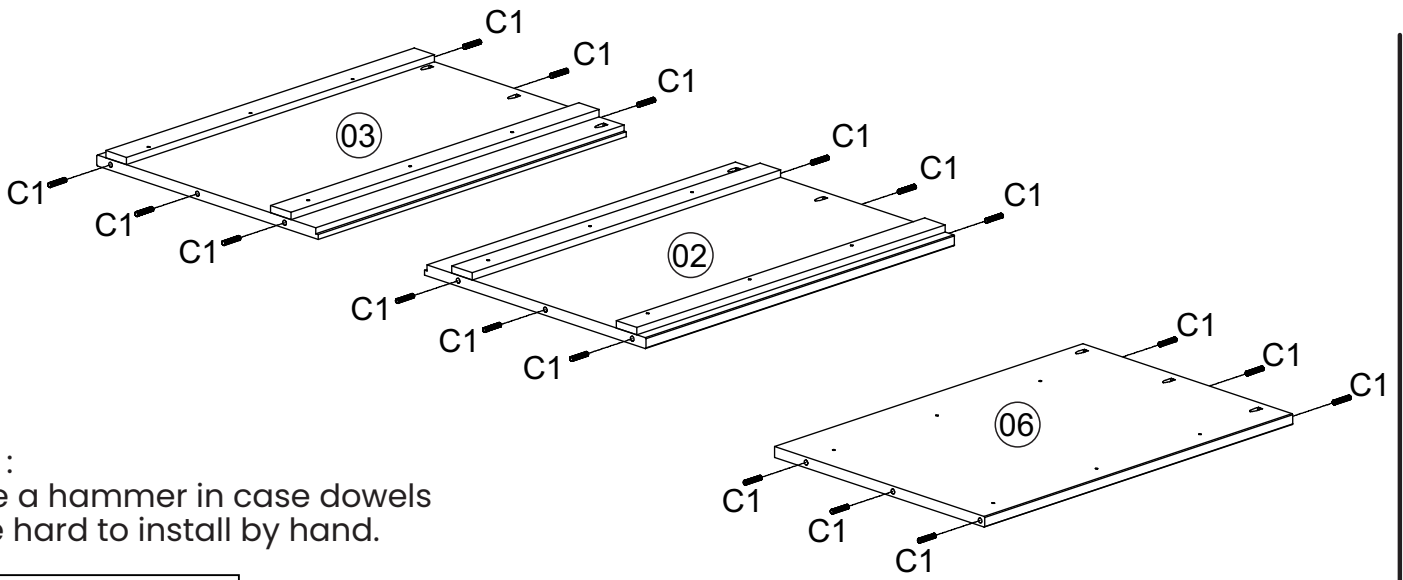
Small parts, not for children.
To be assembled by an adult.



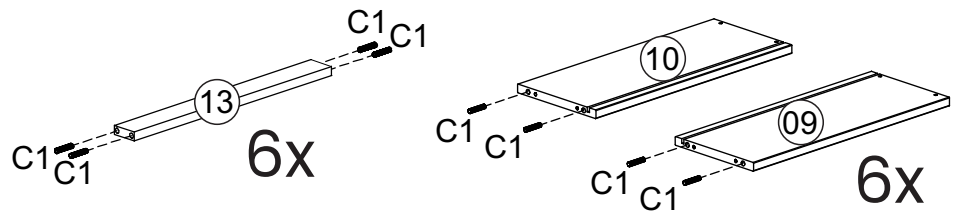
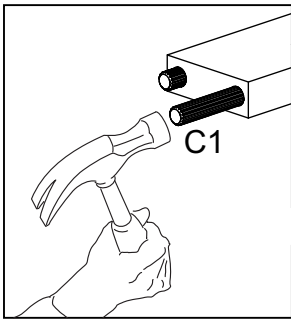
BOX A - 1 of 2		
Part #	Description	Qty.
01	Top	1
02	Right side	1
03	Left side	1
04	Base	1
07	Back panel	2
11	Drawer bottom	6
14	Profile "H"	1


BOX B - 2 of 2		
Part #	Description	Qty.
05	Foot	5
06	Division	1
08	Drawer front	6
09	Drawer right side	6
10	Drawer Left side	6
12	Drawer back	6
13	Drawer bottom support	6
HW	Hardware	1

1)

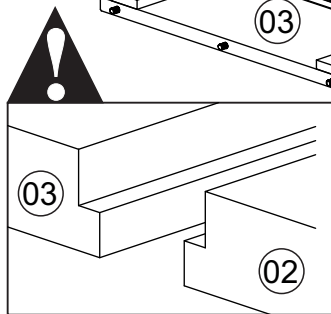
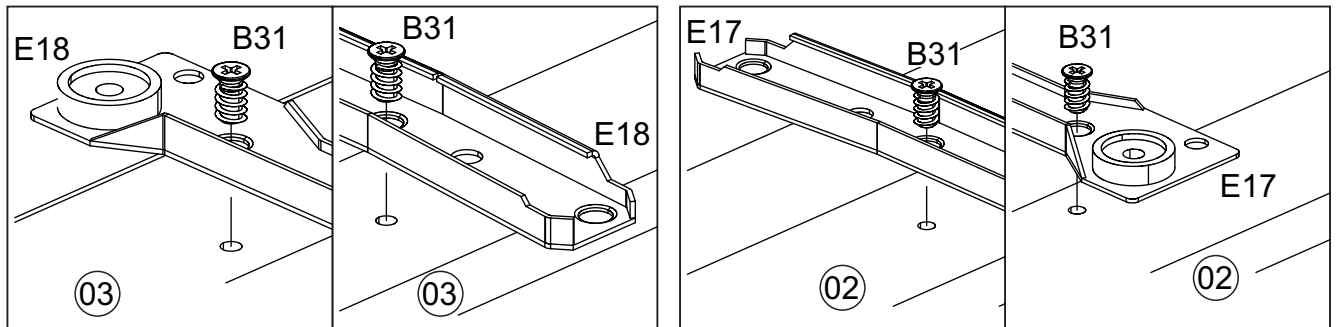


Tip :
Use a hammer in case dowels
are hard to install by hand.




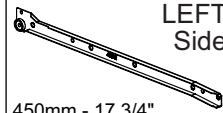
C1		66
8,0x30		

2)

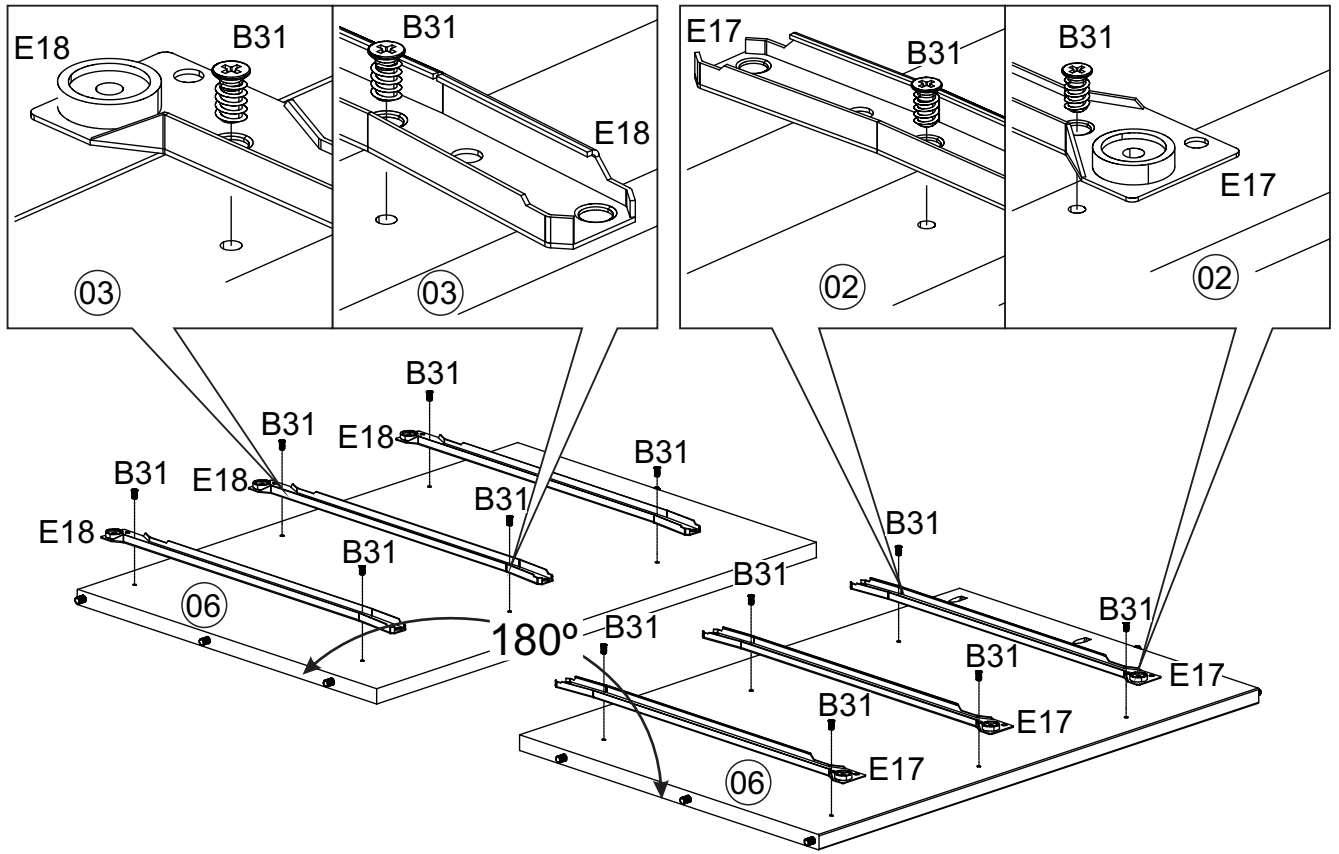


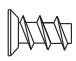

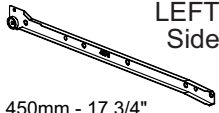
B31		12
6,0x10		

E17		3
450mm - 17 3/4" RIGHT Side		

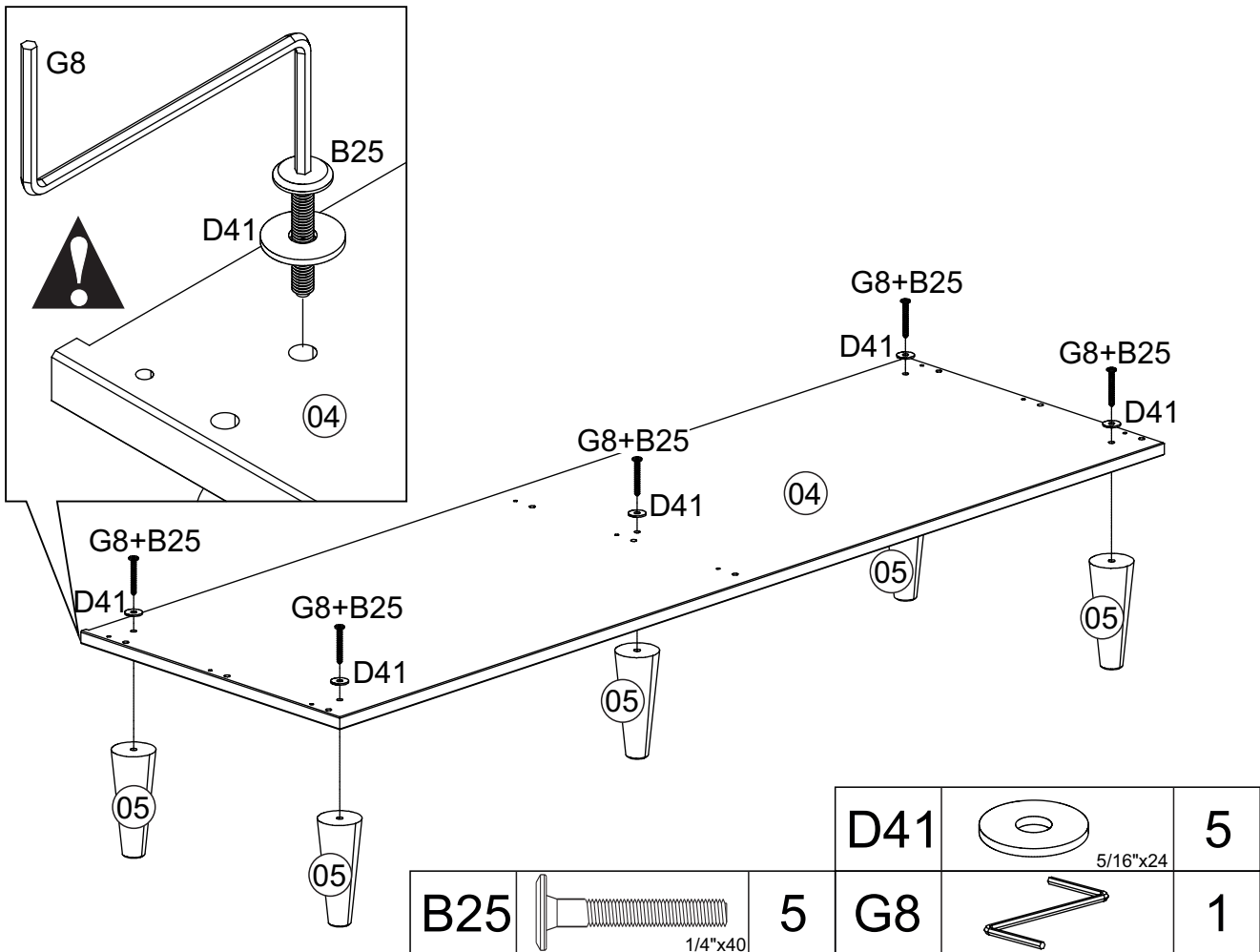
E18		3
450mm - 17 3/4" LEFT Side		

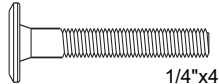

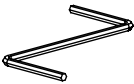
3)



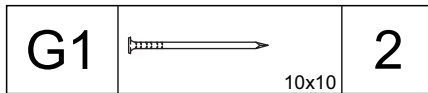
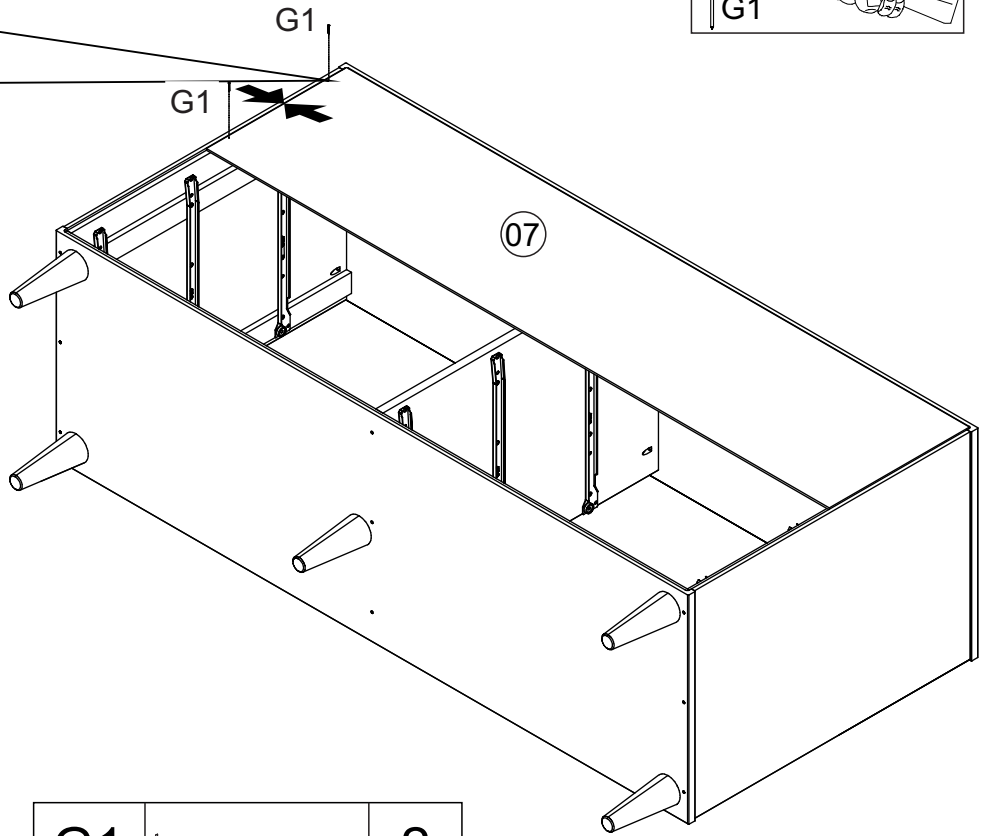
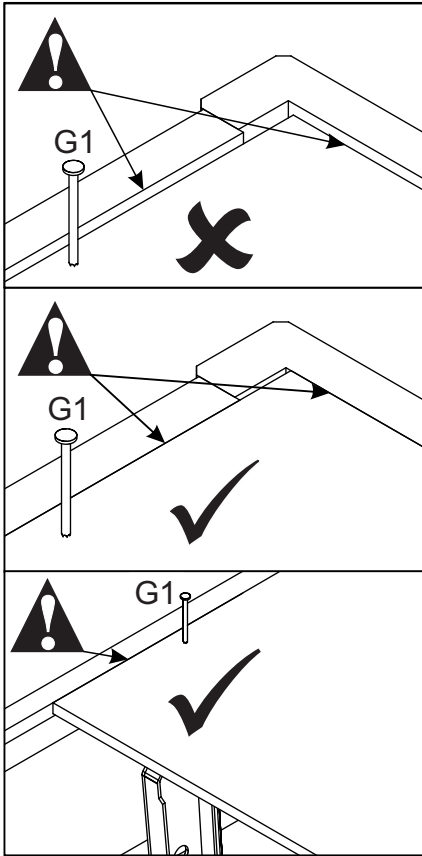
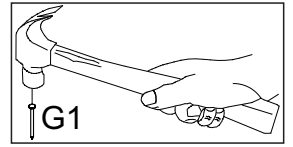
B31	 6,0x10	12	E17	 450mm - 17 3/4"	3	E18	 450mm - 17 3/4"	3
------------	---	-----------	------------	---	----------	------------	---	----------

4)

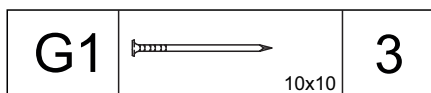
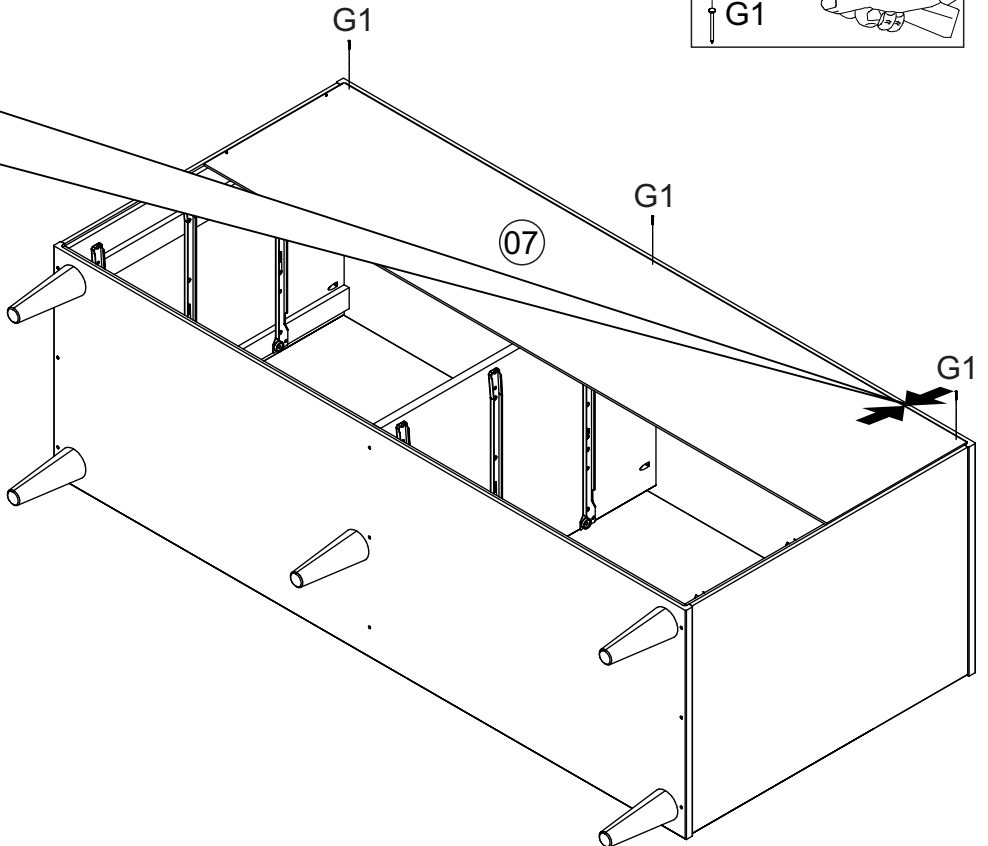
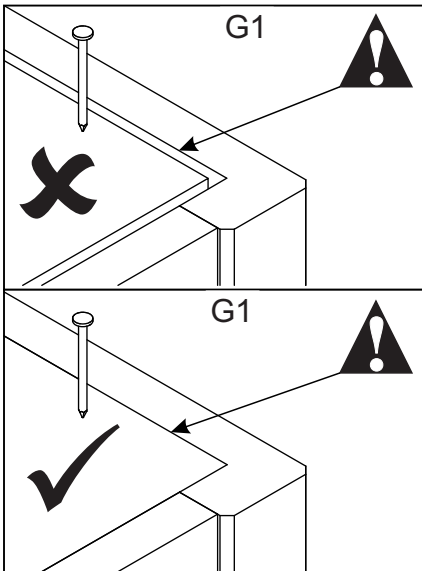
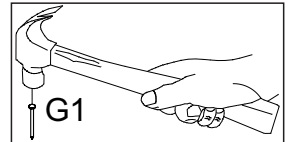


B25	 1/4"x40	5	D41	 5/16"x24	5
G8		1			

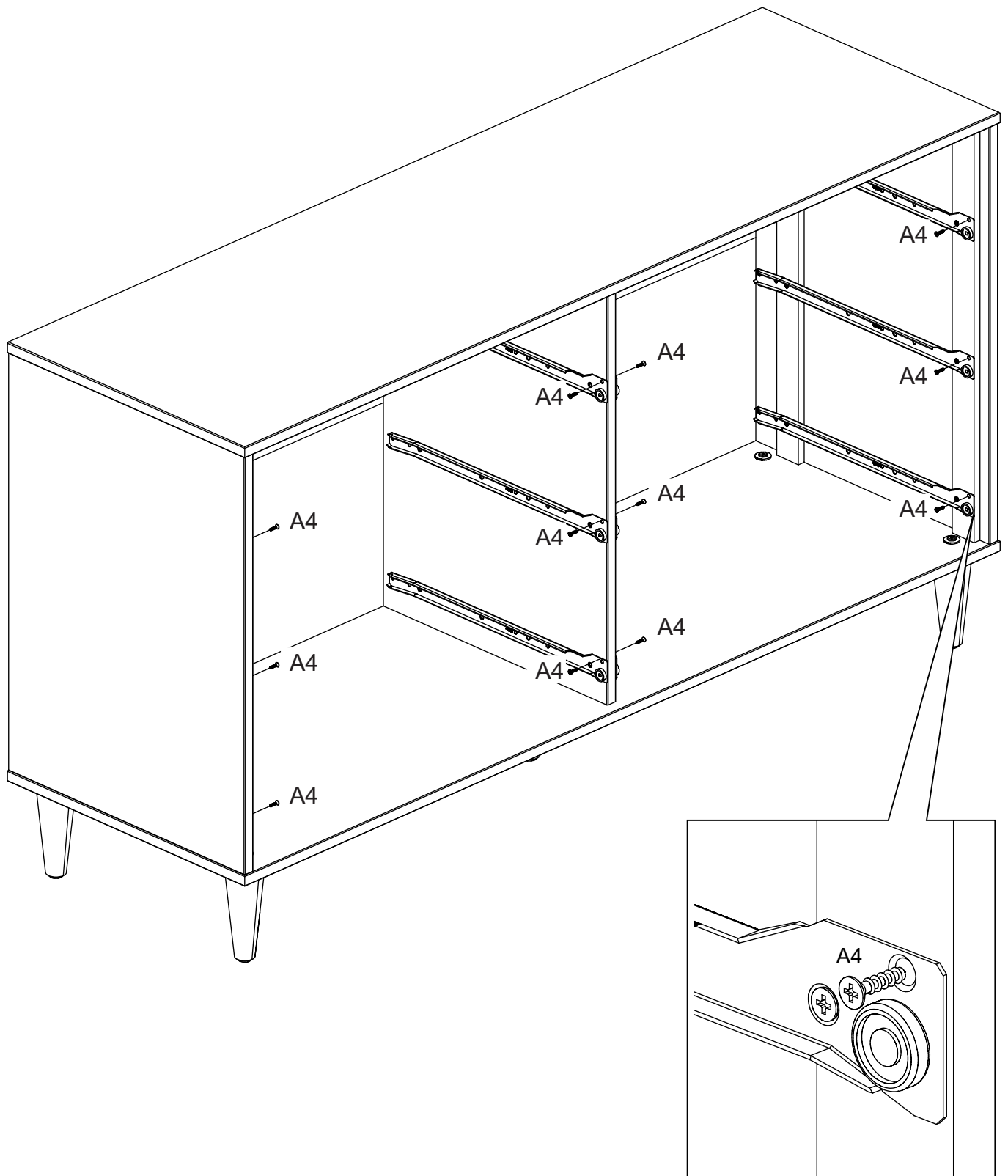
7) Make sure back panels are perfectly aligned with side panels and top and there are NO gaps.



8)



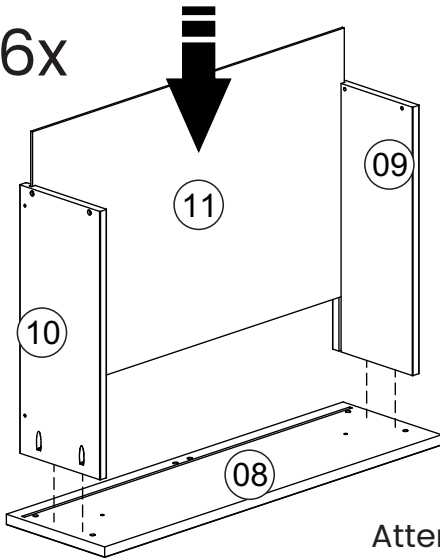
11)



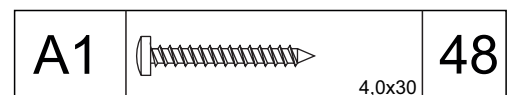
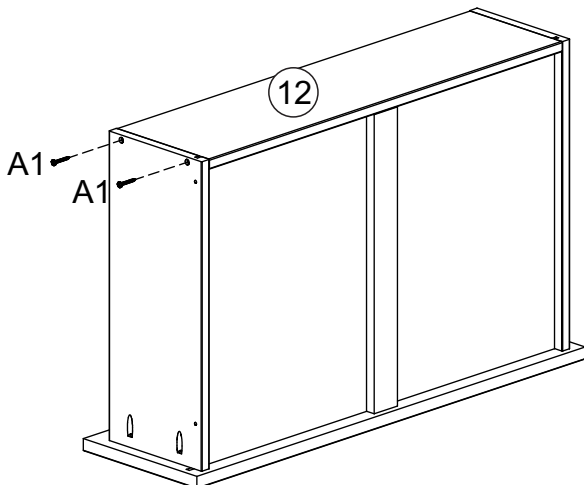
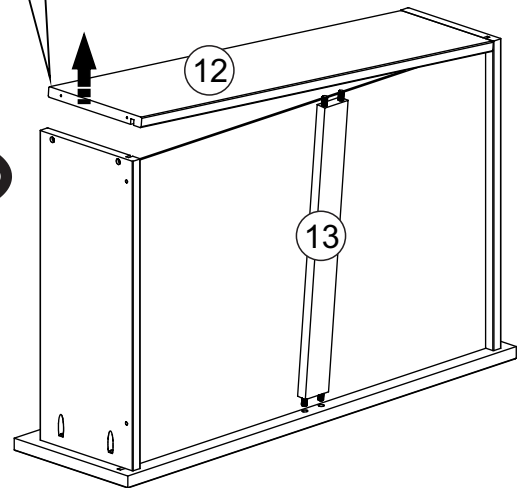
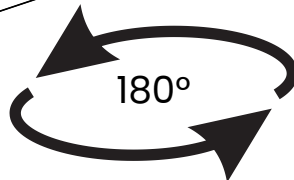
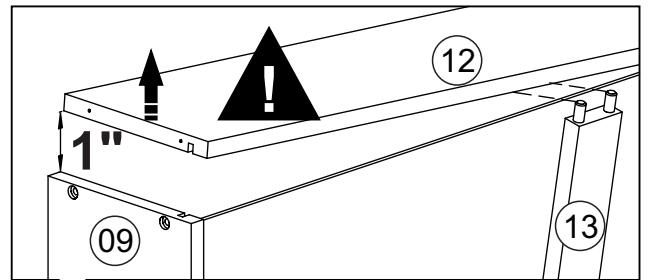
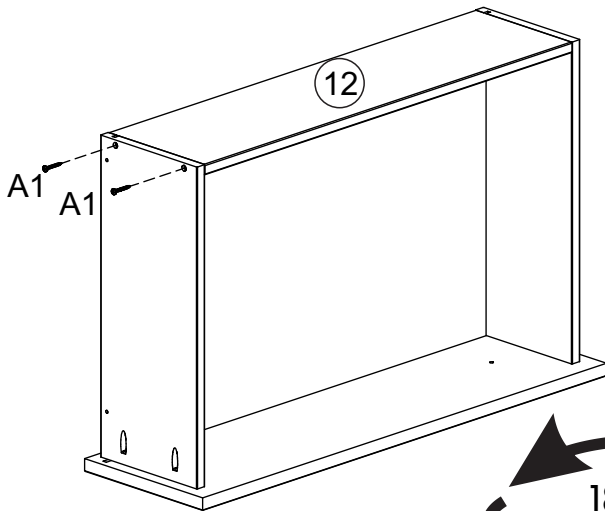
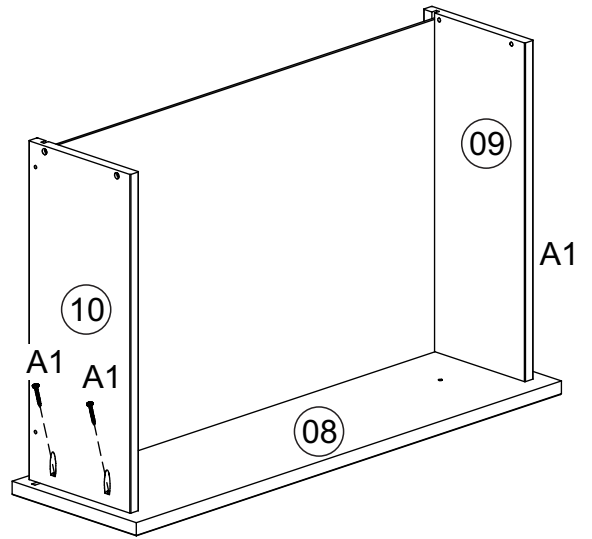
A4		12
3,5x14		

12)

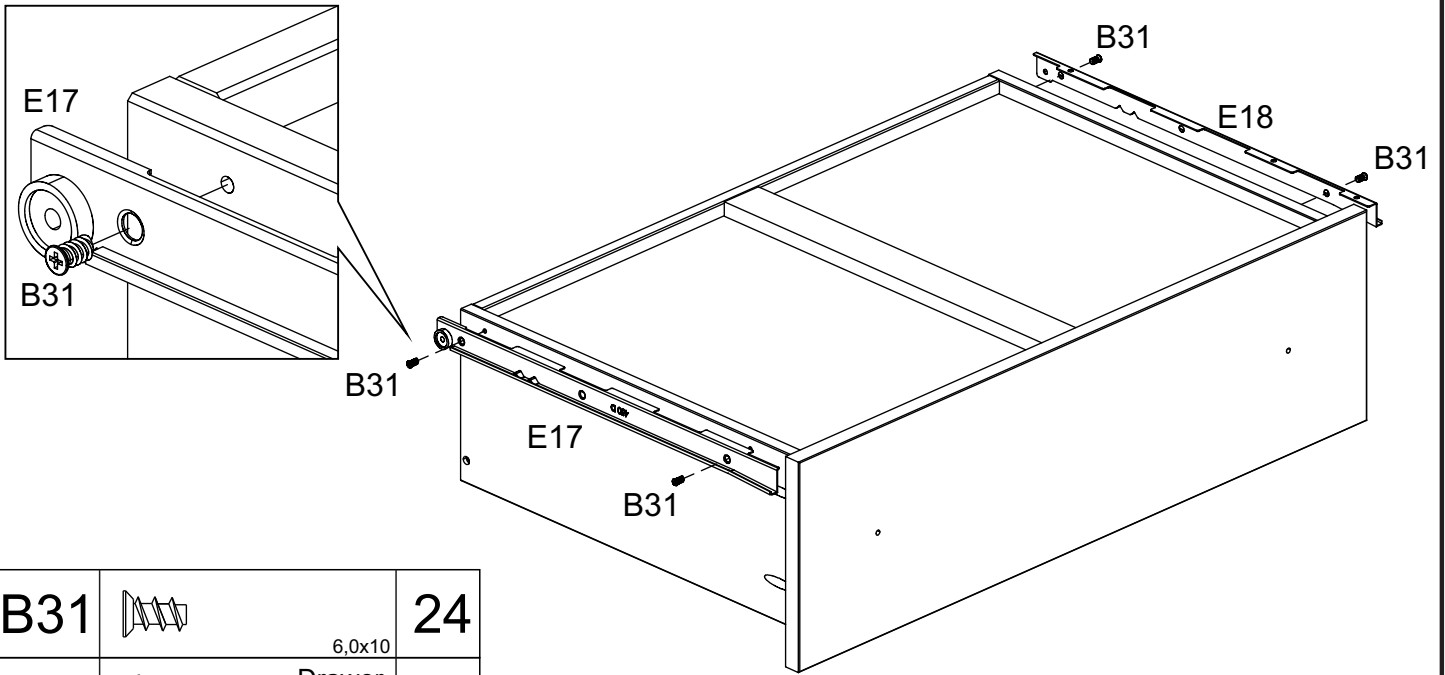
6x


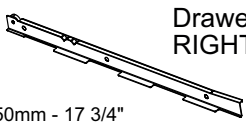
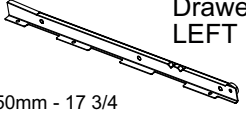


Attention: There are no predrilled holes for the A1 screws on part 08.



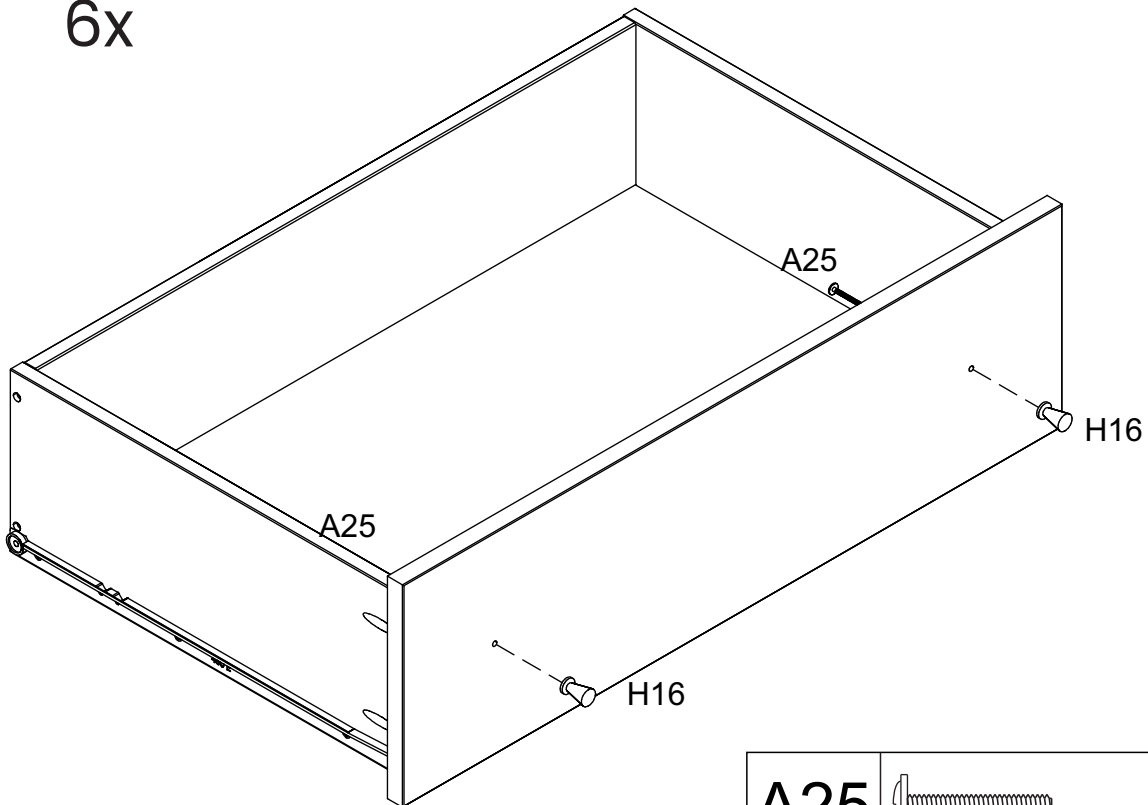
13) Flip the assembled drawer upside down to install glides.


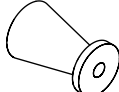


B31	 6,0x10	24
E17	 450mm - 17 3/4"	6
E18	 450mm - 17 3/4"	6

6x

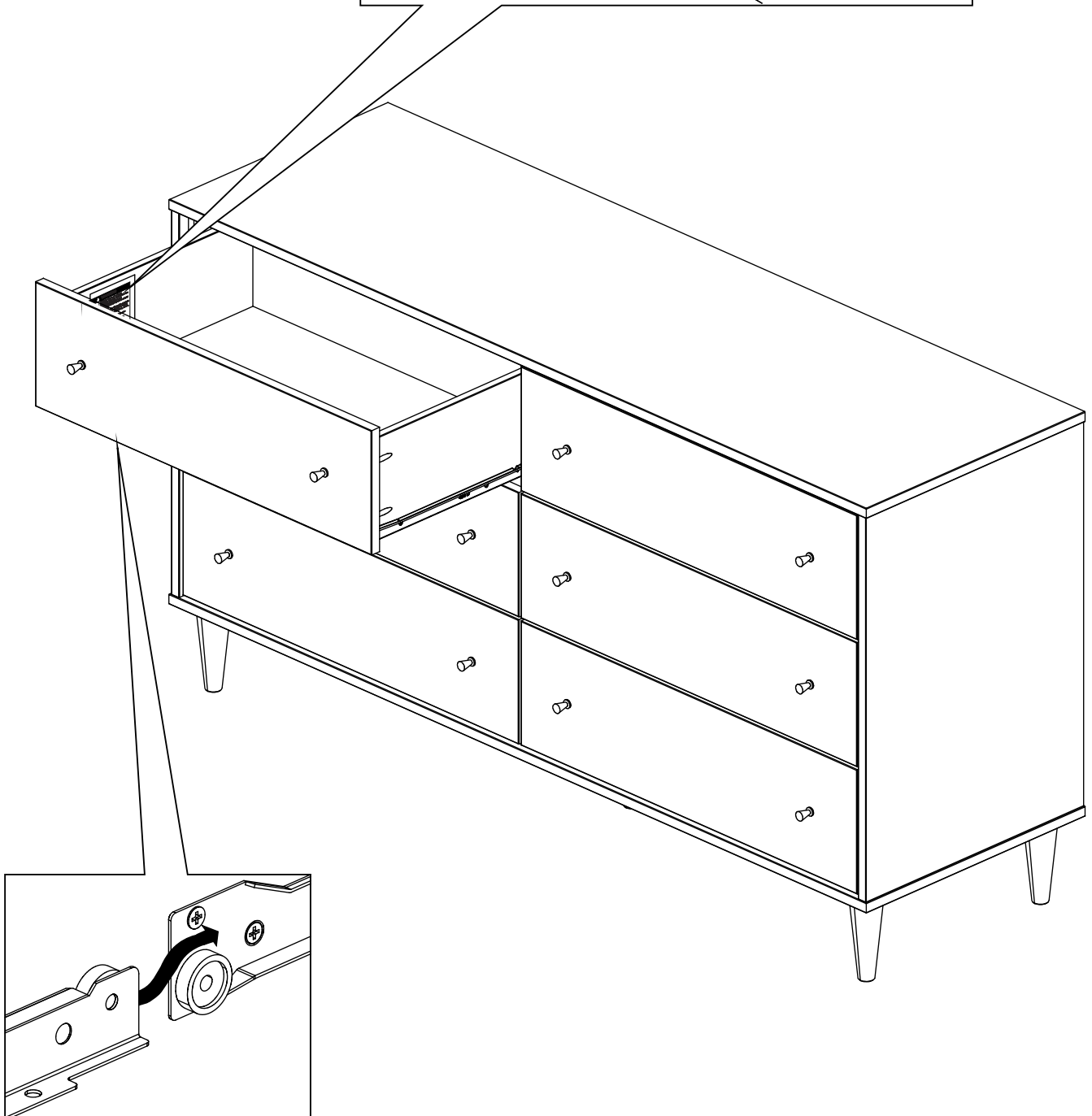
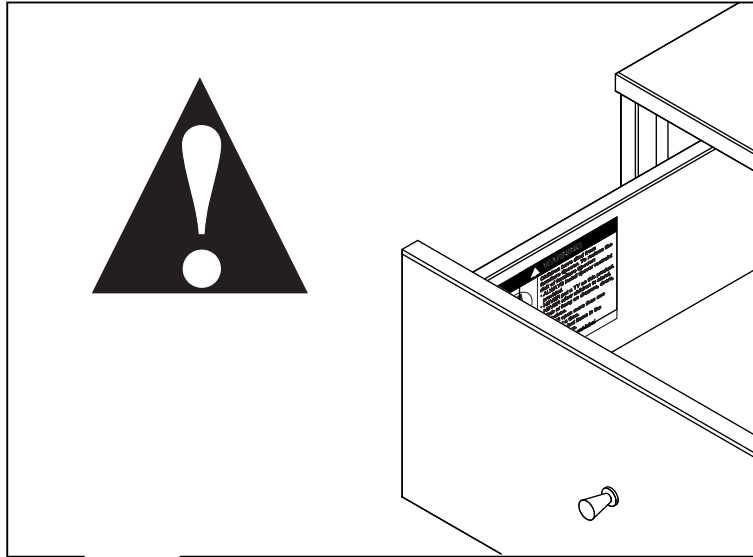
14) **6x**



A25	 M4x25	12
H16		12

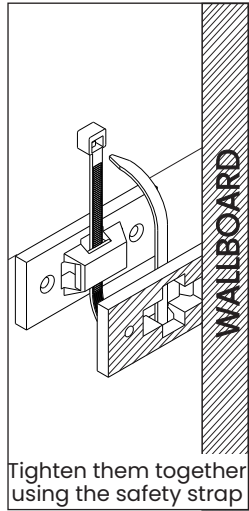
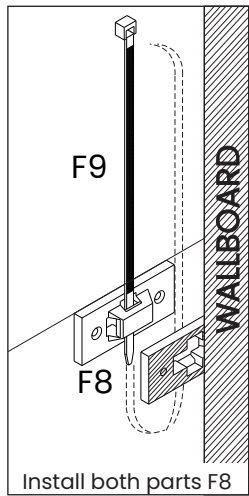
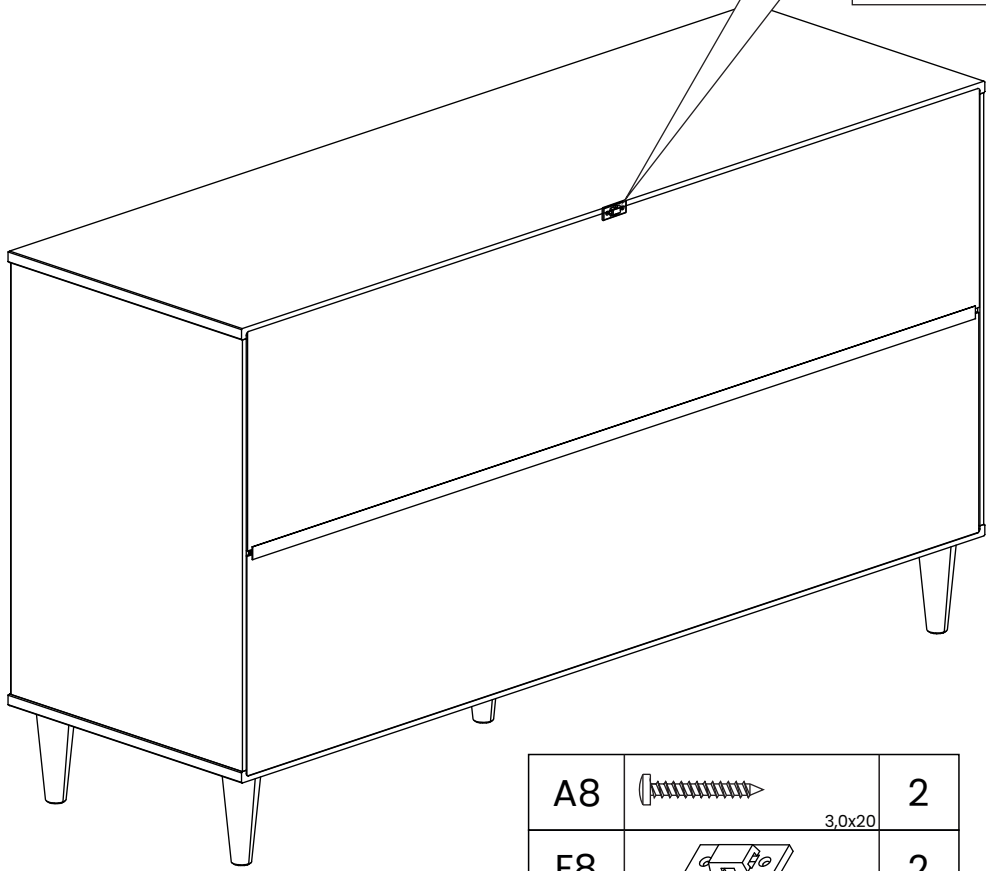
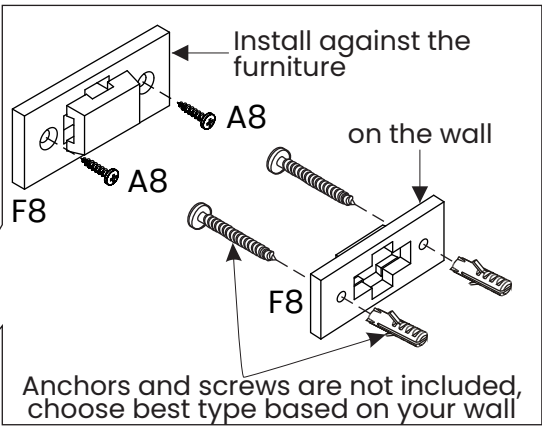
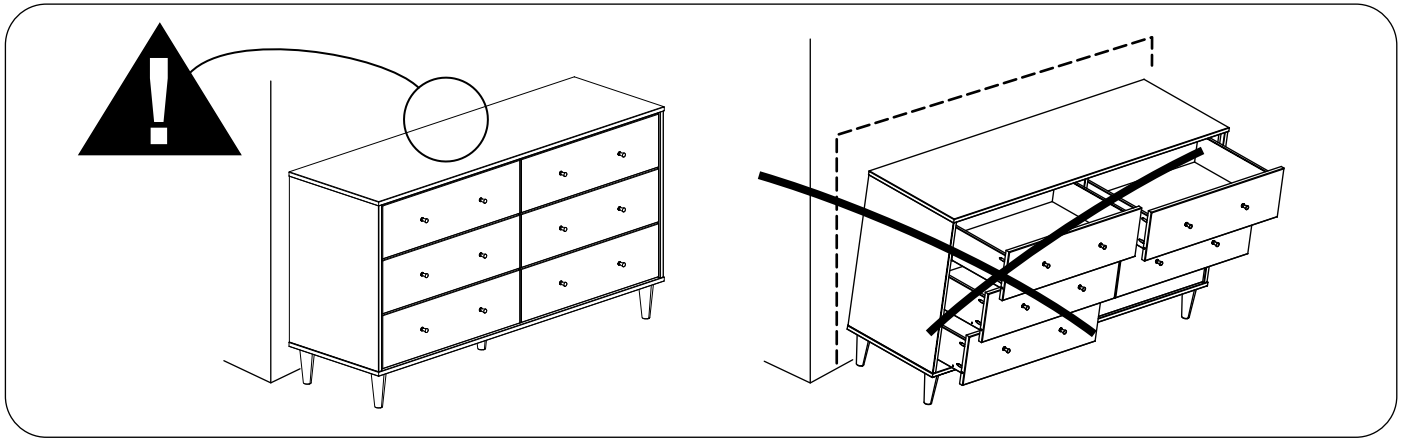
15)


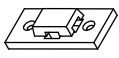

Place the labeled drawer on the top position



16)

ANTI-TIPPING RESTRAINT KIT



A8	 3,0x20	2
F8		2
F9		1