

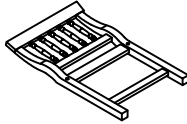
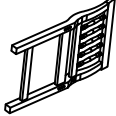



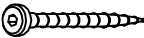

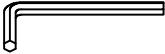
CARE AND MAINTENANCE

Store outdoor furniture indoors or cover well when it is not in use.
Dust regularly with small brush or vacuum .Spills should be taken care of immediately before they harden or stain with a slightly dampened sponge.

NOTICE

Please make sure that you have all parts indicated before you begin assembly of this item.

Part List and Hardware List

PIECE	DESCRIPTION	PICTURE	QUANTITY
A	Right side		1X
B	Left side		1X
C	Back		1 X
D	Seat		1 X
E1	Allen bolt	 M6x70	6 X
E2	Allen screw	 M6x55	4 X
E3	Bolt extra	 M6x50	1 X
E4	Allen key		1 X

 **SAFAVIEH**
OUTDOOR

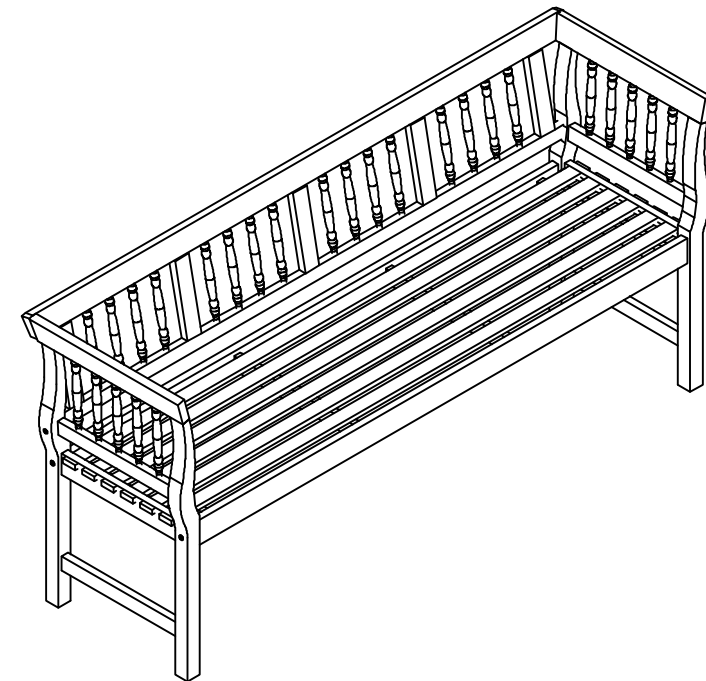
MODEL # PAT6732

Product Dimension: 68.11"Wx20.08"Dx31.5"H

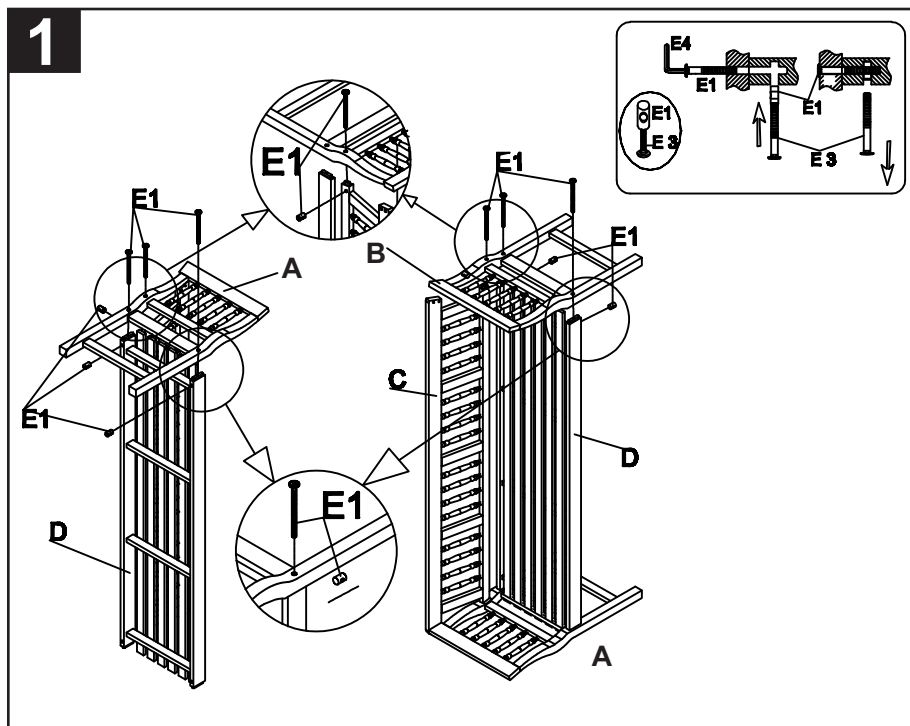
Weight capacity : 600 lbs.

Warning : Do not stand on the bench

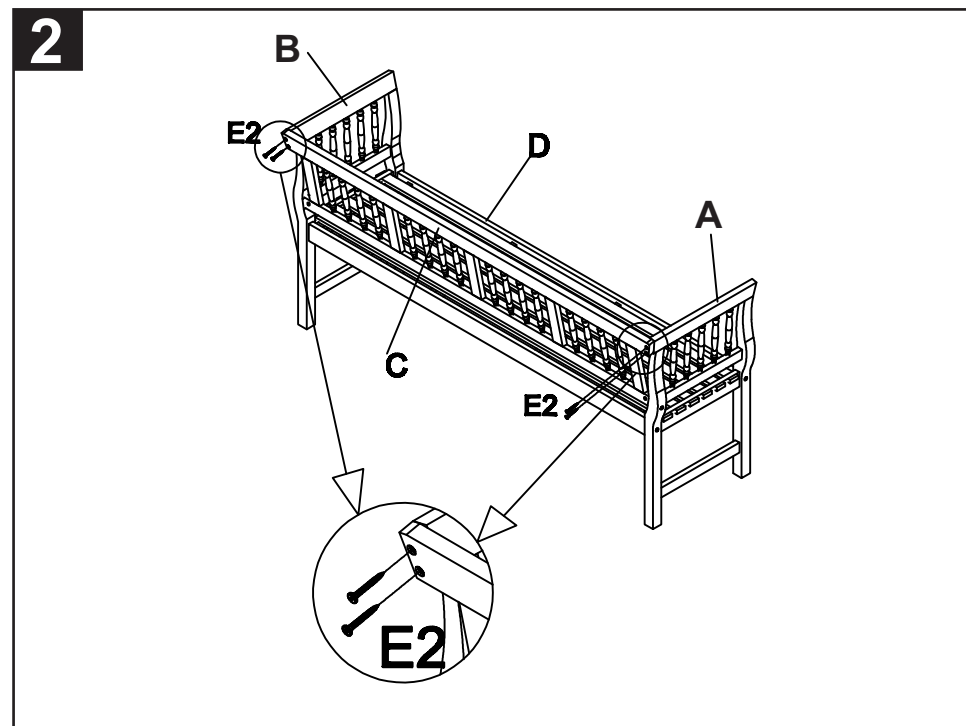
Warning : Do not torque bolts / screws



Before beginning the assembly of the product, make sure all parts are present. Compare the parts with package contents list and hardware contents list. If any parts are missing or damaged, do not attempt to assemble the product. Tool required for assembly (included): Allen key.



Step 1: attach the right side (A) and the left side (B) to the seat (D) as shown on the picture by using the Allen bolt (E1) and tighten all with the Allen key (E4). Make sure you don't tighten the side too tight. This you will do at the end.



Step 2: put the back (C) to the bench by using the Allen screws (E2) to fit the top of the back (C) to the side parts (A) and (B) as shown on the picture by using the Allen key (E4). At last tighten all bolts and screws.