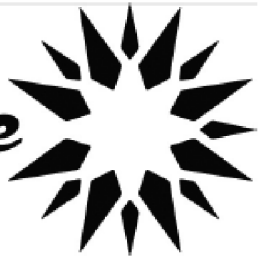
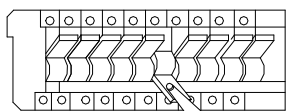


Dainolite



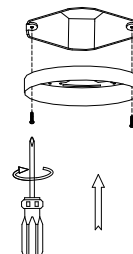
ALT-278C

OFF/FERME

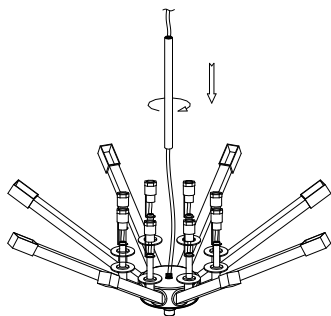


1

5



2



6

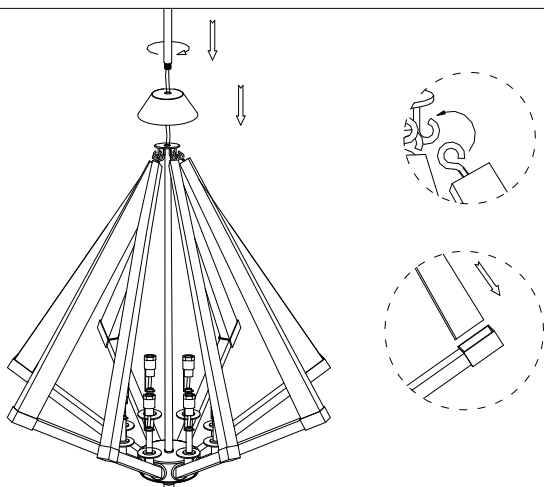


green/vert-⊕

L-black/noir

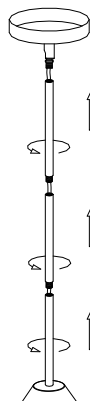
white/blanc-N

3

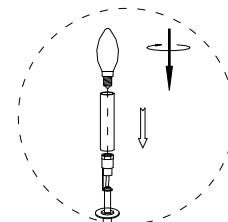
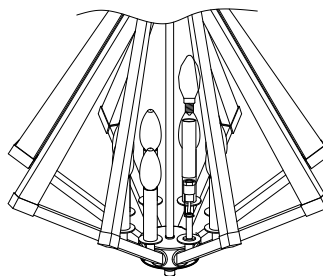


7

4



8XE12 60W MAX
Not included/
pas inclus



1401 Courtneypark Dr. E Mississauga, Ontario, Canada L5T 2E4

Tel. (905) 564-1262

Fax. (905) 564-1299

E-mail: dainolite@dainolite.ca

Web: www.dainolite.ca

Apr 8, 2016