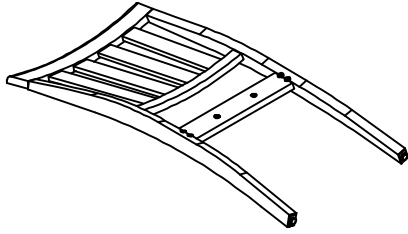
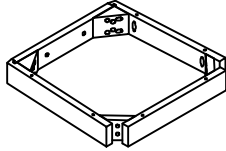


# ASSEMBLY INSTRUCTIONS

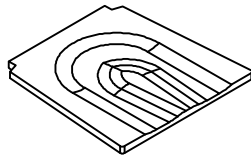
1. CHAIR BACK POST  
1 piece



2. SEAT FRAME  
1 piece



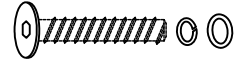
3. SEAT  
1 pieces



4. FRONT LEGS  
2 pieces



5. BOLT  
4 sets



Ø0.6x8 cm

6. BOLT  
4 sets



Ø0.6x6 cm

7. BOLT  
2 sets

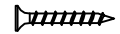


Ø0.6x3.5 cm

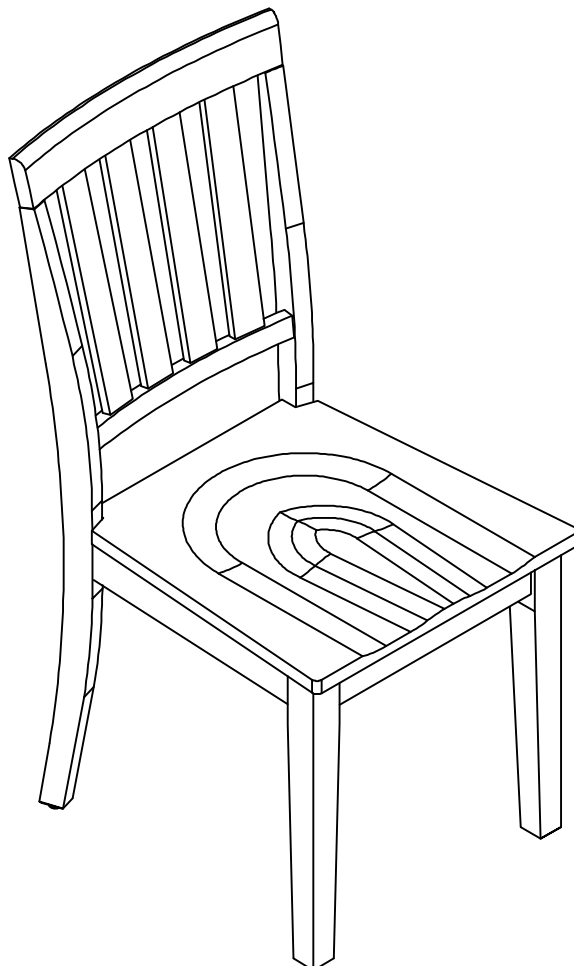
8. ALLEN KEY  
1 piece



9. SCREW  
6 pieces

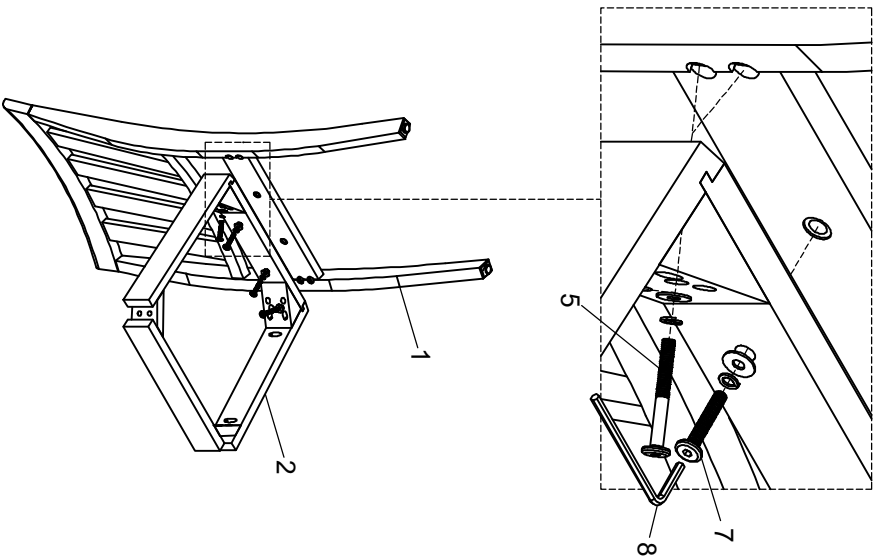


Ø0.4x3 cm

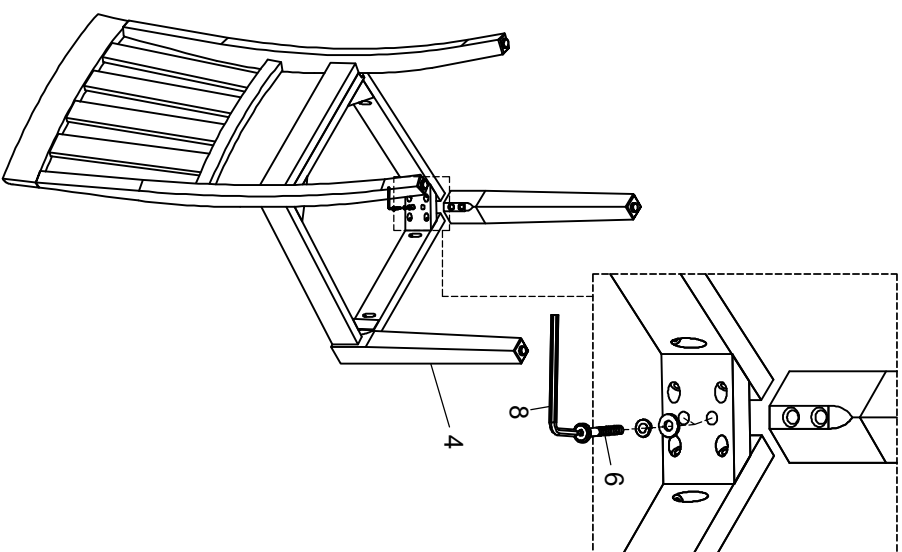


# ASSEMBLY INSTRUCTIONS

## STEP 1



## STEP 2



## STEP 3

