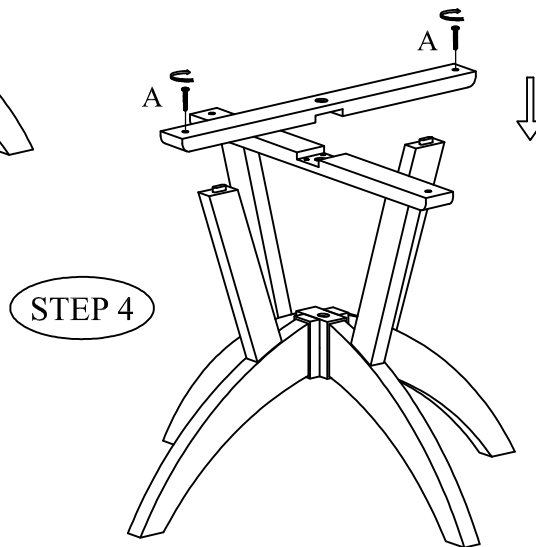
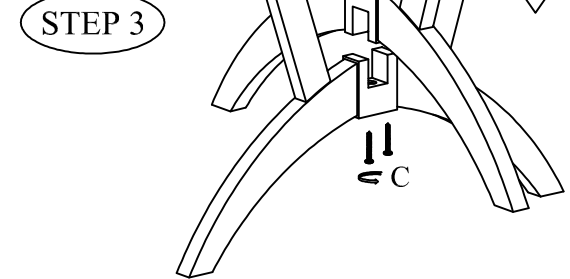
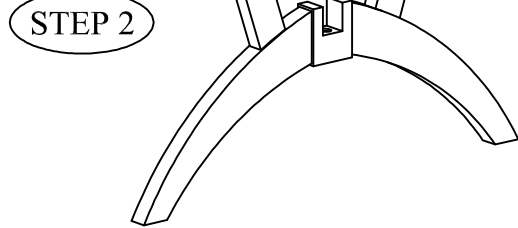
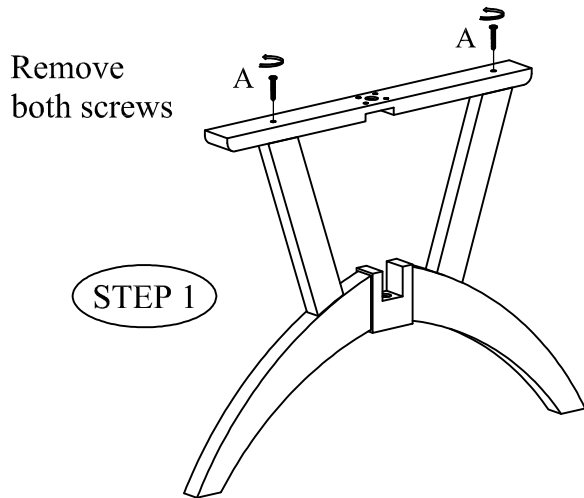



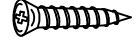

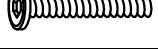
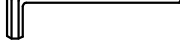
# ASSEMBLY INSTRUCTIONS

## Round Dining Table

**STOP! PLEASE READ FIRST:**

Thank you for purchasing this item from Outdoor Interiors. Please verify all the hardware and components are included as you unpack the carton. Place the items in a safe area to avoid lost and damaging contents. Use a soft area or the empty box to assemble the item.



| ASSEMBLY PARTS LIST |   |      |
|---------------------|---|------|
| A                   |   | 2pcs |
| B                   |  | 4pcs |
| C                   |  | 2pcs |
| D                   |  | 4pcs |
| E                   |  | 1pc  |

**ASSEMBLY TIPS:** Use Caution with Heavy Tables and only assemble with a minimum of two people on soft surfaces as not to damage table tops. Assembly should be face down as shown. Use patience when inserting screws & bolts to find the matching holes before locking down to avoid unnecessary damage. Please use care since the table surface area & parts are handmade.