

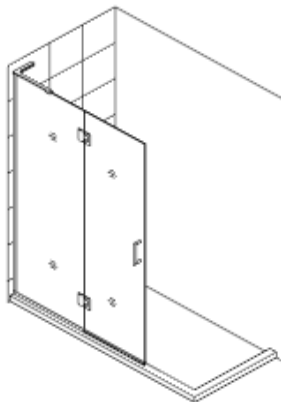
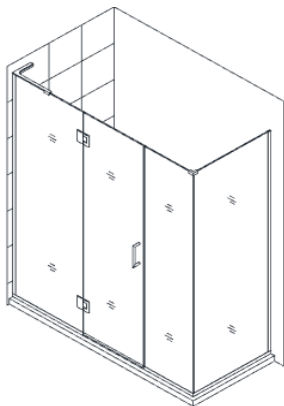
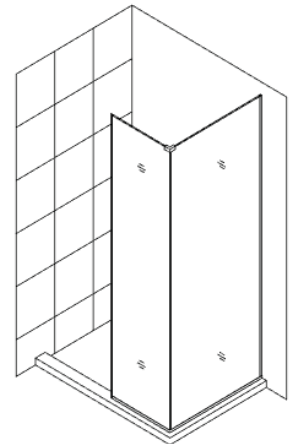
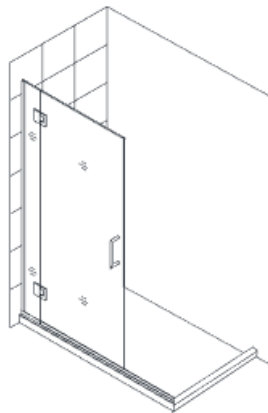
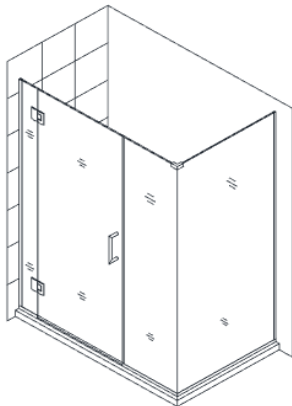


## UNIDOOR X (STYLE M3)

### SHOWER DOOR & GLASS PANEL INSTALLATION INSTRUCTIONS

#### IMPORTANT

DreamLine® reserves the right to alter, modify or redesign products at any time without prior notice. For the latest up-to-date technical drawings, manuals, warranty information or additional details please refer to your model's web page on [DreamLine.com](http://DreamLine.com)



**STYLE M3**

[STEP 1: INSTALL SHOWER DOOR](#)

[STEP 2: INSTALL PANELS](#)

Please read these instructions carefully before installing. If you have any questions regarding installation, please contact our technical support specialists Monday through Friday 8:00 AM – 7:00 PM EST at Phone: [1-866-731-2244](tel:1-866-731-2244), Fax: [1-866-857-3638](tel:1-866-857-3638) or e-mail our technical support group at [Support@DreamLine.com](mailto:Support@DreamLine.com)

For more information about DreamLine® products please visit [DreamLine.com](http://DreamLine.com)

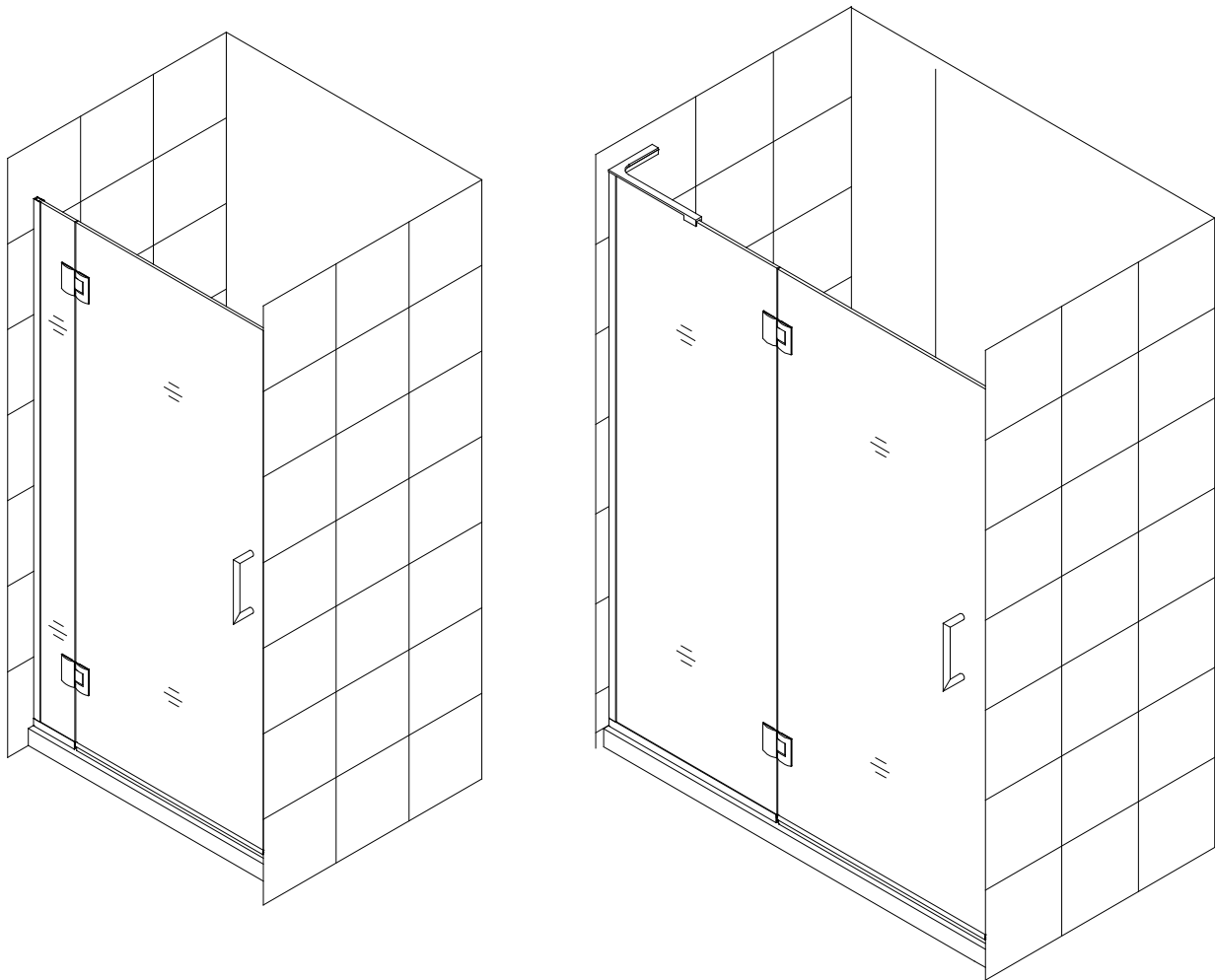


# UNIDOOR-X Style M

## GLASS-TO-GLASS HINGE SHOWER DOOR INSTALLATION

### IMPORTANT

DreamLine® reserves the right to alter, modify or redesign products at any time without prior notice. For the latest up-to-date technical drawings, manuals or additional details please refer to your model's web page on [DreamLine.com](http://DreamLine.com)

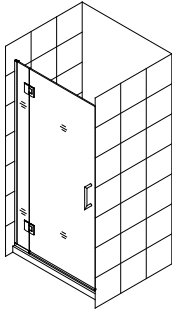


Right Hand Door installation shown

**Please read these instructions carefully before installing. If you have any questions regarding installation, please contact our technical support specialists Monday through Friday 8:00 AM – 7:00 PM EST at Phone: 1-866-731-2244, Fax: 1-866-857-3638 or e-mail our technical support group at [Support@DreamLine.com](mailto:Support@DreamLine.com)**

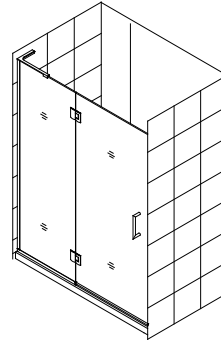
**For more information about DreamLine® products please visit [DreamLine.com](http://DreamLine.com)**

# Model Numbers



UNIDOOR X Style M  
with 6" hinge panel

D12372-##  
D12472-##  
D12572-##  
D12672-##  
D12772-##  
D12872-##  
D12972-##  
D13072-##

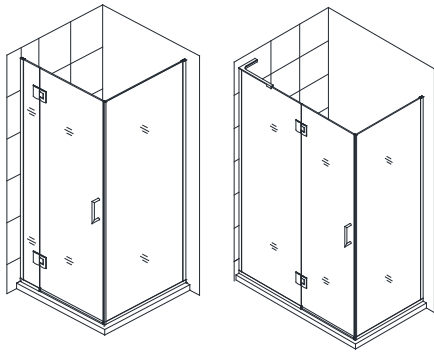


UNIDOOR X Style M  
with 24" hinge panel  
with Left or Right L-Bracket

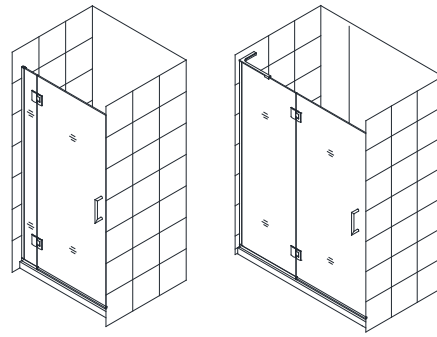
D32372L-##  
D32372R-##  
D32472L-##  
D32472R-##  
D32572L-##  
D32572R-##  
D32672L-##  
D32672R-##  
D32772L-##  
D32772R-##  
D32872L-##  
D32872R-##  
D32972L-##  
D32972R-##  
D33072L-##  
D33072R-##

##- hardware finish  
01- Chrome  
04- Brushed Nickel  
06- Oil Rubbed Bronze

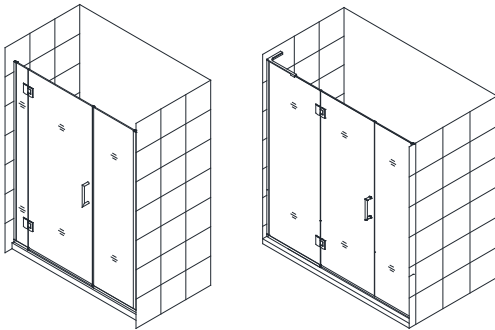
# Used with the following Model Styles:



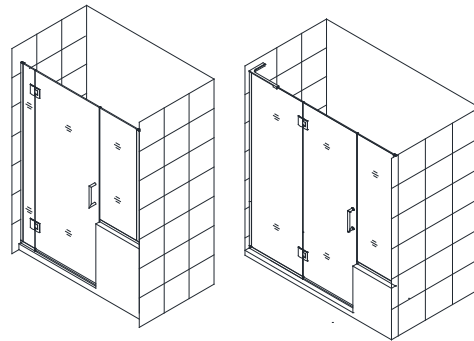
Style L1



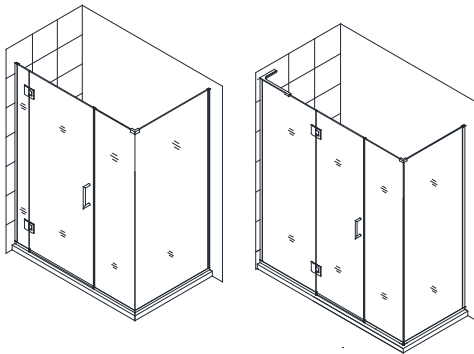
Style M



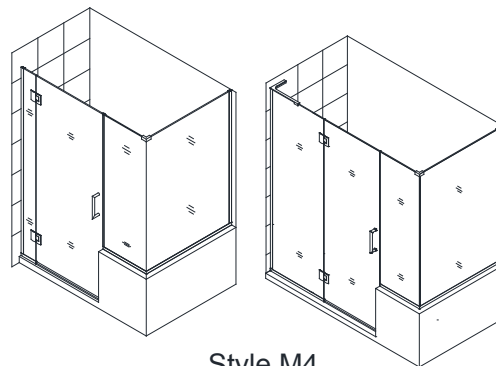
Style M1



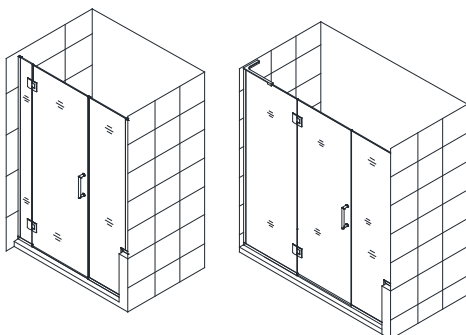
Style M2



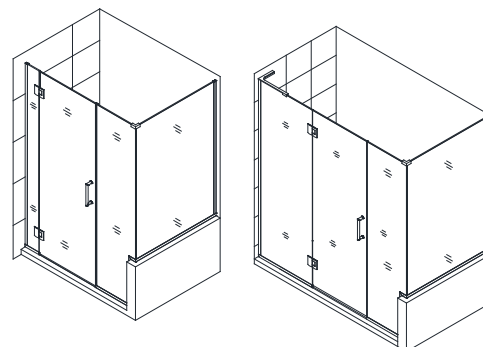
Style M3



Style M4



Style M5



Style M6

**STYLE L1 \***

UNIDOOR-X Shower door 23"~30" with 6" or 24" hinge panel and with 30"- 34" full height return panel secured using u-channel

**STYLE M \***

UNIDOOR-X Shower door 23"~30" with 6" or 24" hinge panel secured using u-channel

**STYLE M1 \***

UNIDOOR-X Shower door 23"~30" with 6" or 24" hinge panel and with 6", 6-1/2", 14", 14-1/2", 22" or 22-1/2" full height inline panel secured using u-channel

**STYLE M2 \***

UNIDOOR-X Shower door 23"~30" with 6" or 24" hinge panel with 12", 18", 24" or 26" inline buttress panel secured using u-channel

**STYLE M3 \***

UNIDOOR-X Shower door 23"~30" with 6" or 24" hinge panel, with 6", 6-1/2", 14", 14-1/2", 22" or 22-1/2" full height inline panel and 30" - 34" full height return panel secured using u-channel

**STYLE M4 \***

UNIDOOR-X Shower door 23"~30" with 6" or 24" hinge panel, with 12", 18", 24" or 26" in-line buttress panel and 30", 36" or 40" buttress return panel secured using u-channel

**STYLE M5\***

UNIDOOR-X Shower door 23"~30" with 6" or 24" hinge panel, with 12", 18", 24" or 30" notched in-line panel secured using u-channel

**STYLE M6 \***

UNIDOOR-X Shower door 23"~30" with 6" or 24" hinge panel, with 12", 18", 24" or 30" notched in-line panel and 30", 36" or 40" buttress return panel secured using u-channel

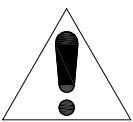
\* For the panel installation instructions, please refer to the separate manual included in the panel glass packaging.

**NOTE:** The Unidoor series doors and enclosures are reversible for left or right hand installation. This manual will show the right hand installation. For a left hand installation, simply begin on the opposite wall and reverse the orientation of the parts as necessary.

# Preparation

1. Prior to installation, examine all boxes and packages for shipping damage and compare the piece count with your packing slip. After opening all boxes and packages read this introduction carefully. Check that all of the needed parts are included in the package by checking off the components on the "Detailed Diagram of Shower Door Components". If the unit has been damaged, has a finishing defect, or has missing parts, please contact our customer support department within **3 business days** of the delivery date. **Please note that DreamLine® will not replace any damaged products or missing parts free of charge after 3 business days or if the product has been installed.** Feel free to contact DreamLine® if you have any questions, and please provide an order number, job name or other proof of purchase to help us identify your original order.
2. **Please note that you should consult your local building codes with questions on installation compliance standards. Building and plumbing codes may vary by location, and DreamLine is not responsible for code compliance standards for your project and will not accept any returns.**
3. If this unit is going to be installed in a new construction, please install all of the required plumbing and drainage before installing the shower. Use a competent and licensed (if required by local code) plumber for all plumbing installation.
4. Please make sure that prior to beginning the installation, the surfaces are leveled and solid and will be able to support the total weight of the unit. Also make sure the walls are at right angles. Irregular installation surface level, radius corners or improper angle of side walls will result in serious problems for your installation. Please, note that some adjustments and drilling might be necessary during the installation process.
5. Please protect all primary surfaces of the product during installation. Never set your glass down directly onto a tile floor. Leave corner protectors in place until it is necessary to remove them. Always use a piece of wood or cardboard to protect the bottom edge and corners of the glass prior to and during installation.
6. This unit must be installed upon a finished threshold and against finished walls.
7. **The hinge panel glass for this model should not be adjusted more than 1/4" for out-of-plumb within the u-channel.** This model does NOT have any adjustment for overall width. Verify that the model size ordered will fit the finished opening before beginning installation.
8. This model requires that you drill into the threshold for proper installation.

## Professional installation recommended

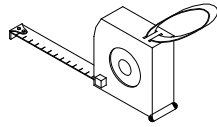


**NOTE: DO NOT** install the handle onto the door glass until instructed to do so. **DO NOT** attempt to lift the glass using the handle. This could result in damage to the glass and/or serious personal injury. Always use an assistant or a professional grade glass suction cup when handling heavy glass.

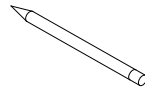
## Tools



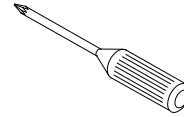
Level



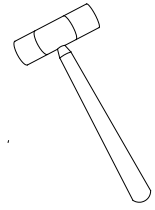
Tape Measure



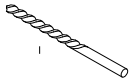
Pencil



Phillips Screwdriver



Hammer



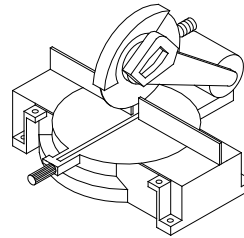
Drill bit  
(Ø=5/16")



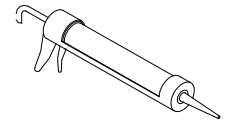
Drill bit  
(Ø=1/8")



Power Drill



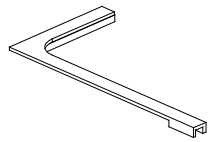
Miter saw



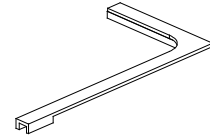
Caulk

**NOTE:** Unpack your unit carefully and inspect it. Lay it out and identify all parts using the detailed diagram and packing list in your manual as a reference. Before discarding the carton, check for small hardware bags that may have fallen to the bottom of the box. If any parts are damaged or missing, please contact DreamLine® for replacement. The shipping boxes may contain extra parts not used in your model configuration. Retain these installation instructions for future reference.

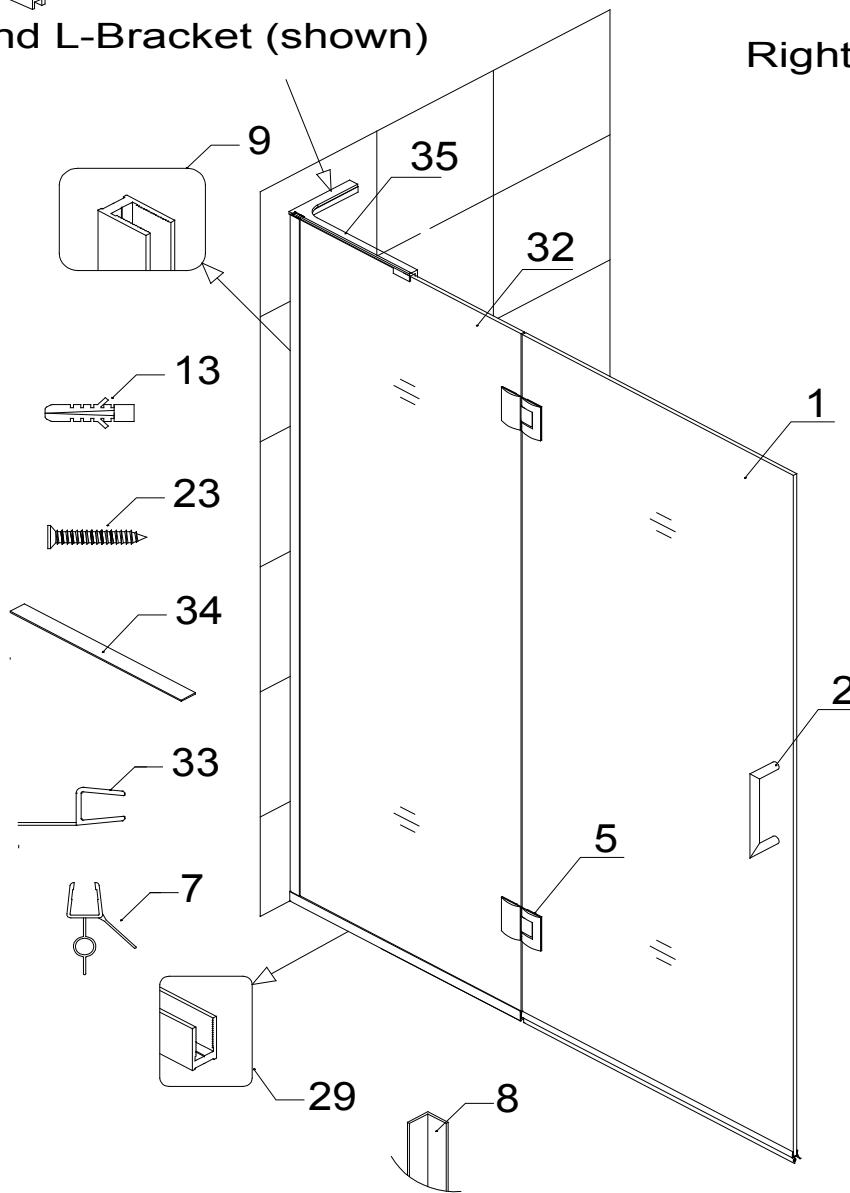
# Detailed Diagram of shower door components



Left hand L-Bracket (shown)



Right hand L-Bracket



## Packing List

01	Glass door	1pc	13	Ø5/16" Wall anchor	5pcs
02	Handle	1pc	23	Countersunk screw ST4.2x40	8pcs
05	Hinge	2pcs	29	U-channel 2 (44", bottom profile)	1pc
07	Bottom anti-water strip	1pc	32	Hinge panel glass (6" or 24")***	1pc
08	L-shaped strip *	1pc	33	Flanged anti-water strip	1pc
09	U-channel 1 (76", wall profile)	1pc	34	PVC glass spacer (0.5mm)	1pc
			35	L-Bracket (Left or Right) **	1pc

\* L-shaped strip (#08) only used for style M configuration

\*\* L-Bracket not included with 6" hinge panel glass

\*\*\* Hinge panel glass - the top hinge cutout is 7-7/8" to center, the bottom cutout is 8-3/8" to center.



# Installation steps

## Style "M" 6" & 24" In-Line Panel and Shower Door Installation

**NOTE:** The following shower door installation instructions should be used as a general guide and prerequisite to the installation of the UNIDOOR Style M, M1, M2, M3, M4, M5, M6 and L1 models. Before you begin the installation, please check your finished opening size and model dimensions to ensure proper placement of the Hinge panel glass (#32) and Glass door (#01). Specific size information can be found on our website at: [DreamLine.com](http://DreamLine.com).

**NOTE:** There is a top and a bottom to the **hinge panel glass (#32)**: the **top hinge cutout** is 7-7/8" to center, the **bottom hinge cutout** is 8-3/8" to center. This glass must be installed correctly for a successful installation.

**NOTE:** The 24" Hinge Panel Glass is the primary example shown throughout this installation manual. Use the following installations procedures when installing the 6" Hinge Panel glass with the exclusion of the L-Bracket (#35). See page 14 for more information about the L-bracket installation.

**1.** Trim the **0.5mm PVC glass spacer (#34)** into several 2" pieces. Insert three to four 2" pieces of the **0.5mm adjustment spacers (#34)** into the **U-channel 2 (#29) (bottom profile)**. These are used as setting blocks to protect the bottom of the glass.

- Slip the **U-channel 2 (#29)** (bottom profile) and uncut **U-channel 1 (#09) (76" wall profile)** onto the **Hinge panel glass (#32)** as shown.

- Place the **Hinge panel glass (#32)** with the U-channels 1 & 2 onto the threshold (Fig 1.2).

- Adjust the **Hinge Panel glass (#32)** and **U-channel 1 (#09) (76", wall profile)** against the wall ensuring that the **Hinge Panel glass (#32)** is level vertically and **U-channel 1 (#09)** is flush with the wall.

- Make certain that your **U-channel 2 (#29)** is parallel to the outside of your threshold. Use a level while adjusting your glass to verify that it is plumb.

**See Fig. 1 For details**

**2.** Mark the end of the **U-channel 2 (#29) (bottom profile)** opposite of the wall at the exposed vertical glass edge.

- Mark the top of **U-channel 1 (#09) (wall profile)** flush with the top of the glass (Fig 1.6).

- Mark the position of both u-channels on the wall and threshold from inside the shower area (Fig 1.5).

**See Fig. 1 for details**

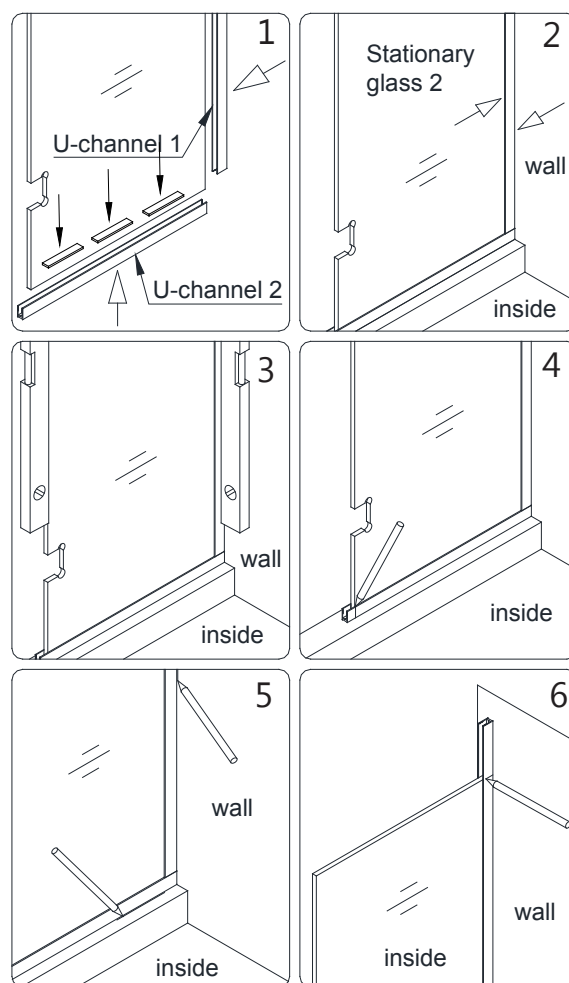
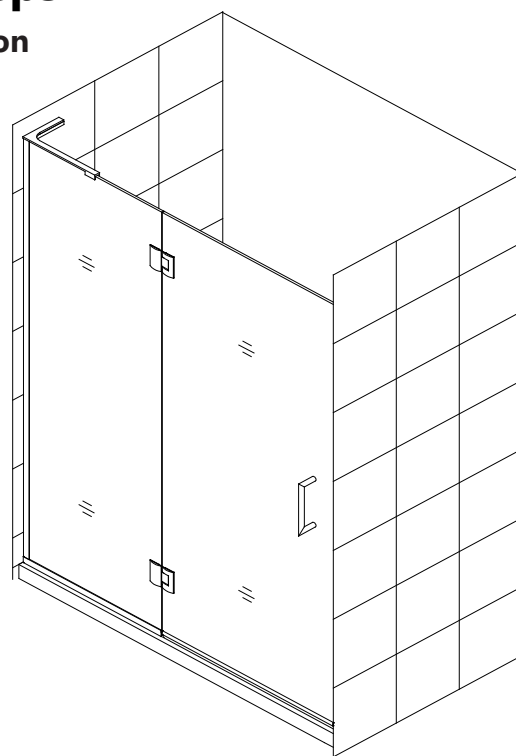


Fig 1

**3.** Remove both U-channels from the **Hinge Panel Glass 2 (#32)** and carefully set the glass aside. Cut the **U-channel 1 (76", wall profile) (#09)** at the top mark that was shown in Fig. 2.1  
Cut the **U-channel 2 (44", bottom profile) (#29)** at the mark that was shown in Fig. 2.2

**NOTE:** It may be necessary to remove any burrs from the cut end of the U-channels with a metal file before placing the U-channel onto the glass.

**See Fig. 2 for details**

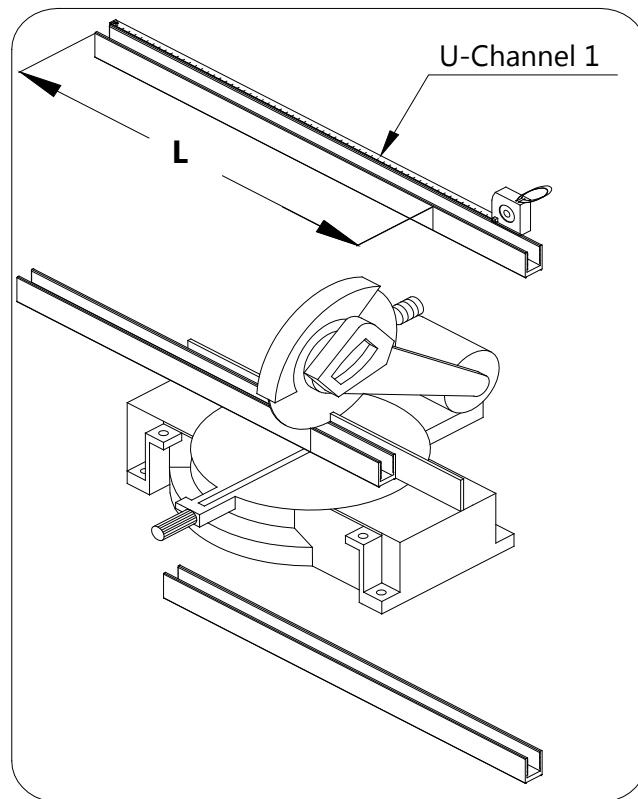
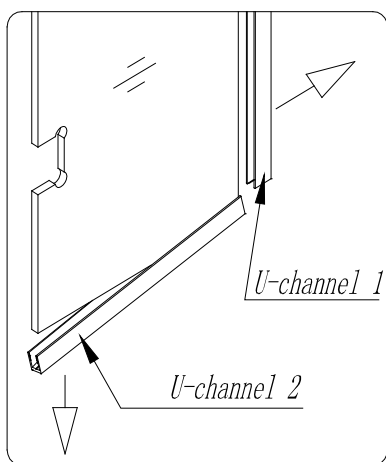


Fig 2.1

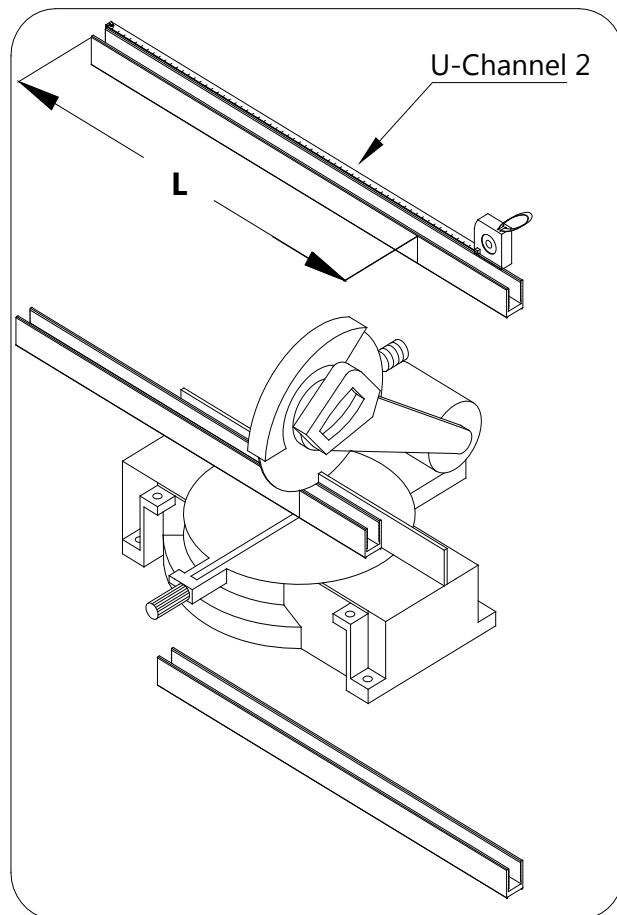


Fig 2.2

**4.** Position the **U-channel 2 (bottom profile) (#29)** onto the threshold along your line and mark the position of the holes for drilling. You need to use at least 3 holes for the **U-channel 2 (bottom profile) (#29)**: one near each end and one near the center.

- Drill the holes into the threshold using an **1/8" Ø** drill bit.
- Apply a bead of silicone to the bottom of the **U-channel 2 (bottom profile) (#29)** and attach it to the threshold using the **ST4.2 x 40mm screws (#23)**.

See Fig. 3 for details

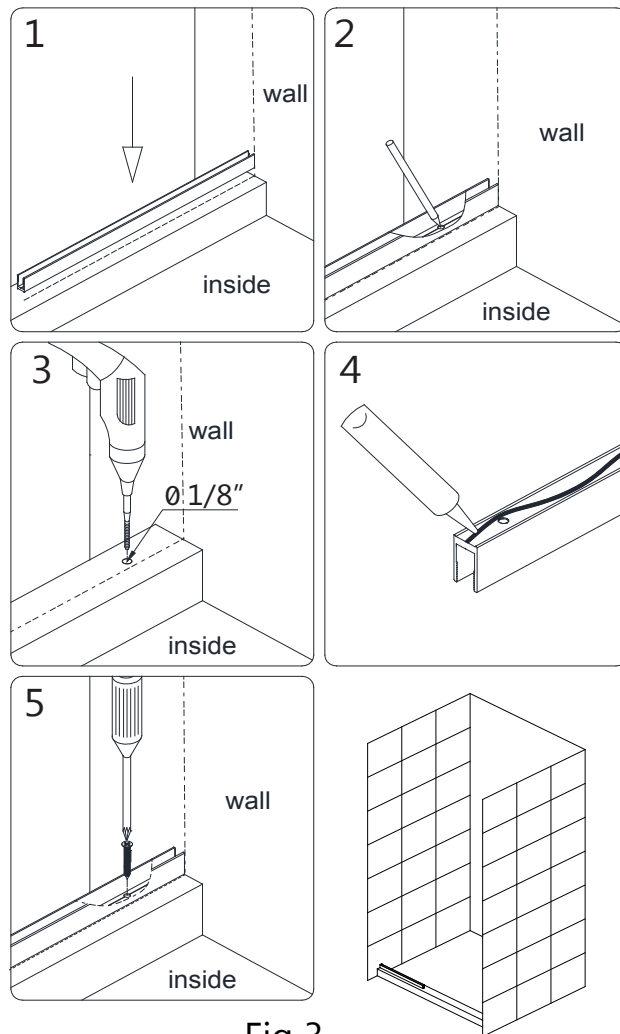


Fig 3

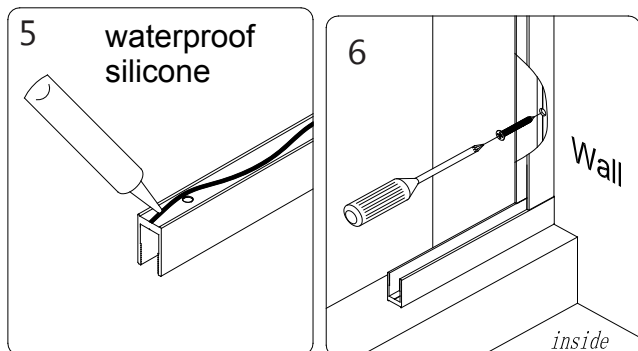
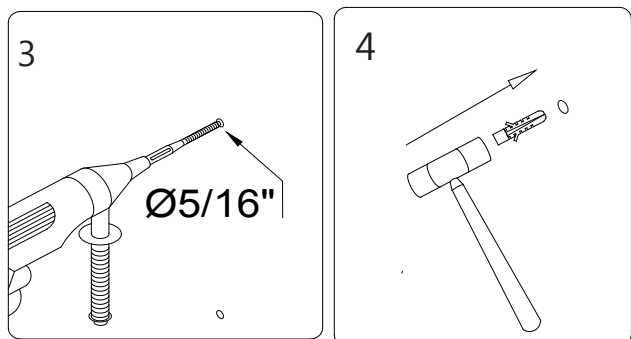
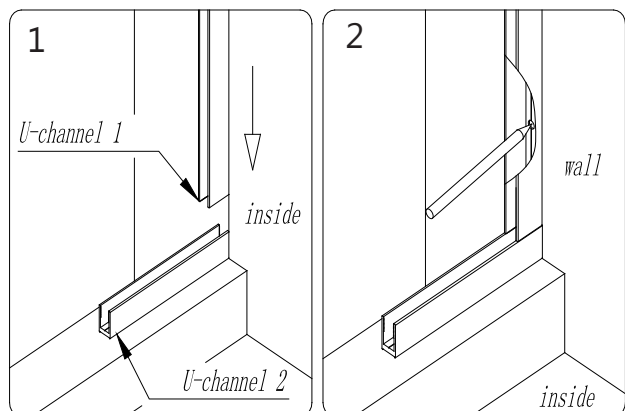
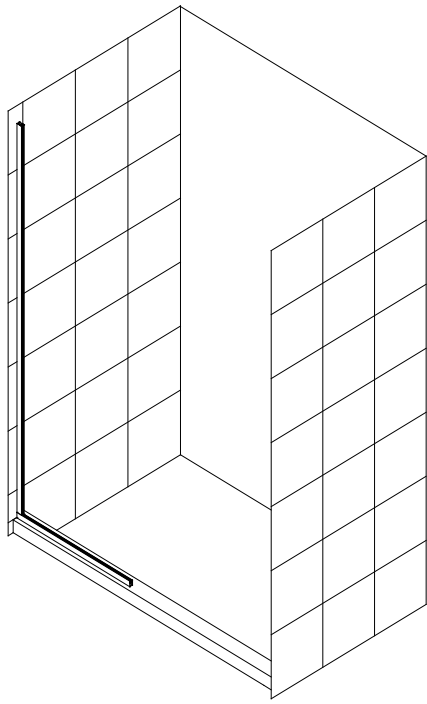


Fig 4

**5.** Next, position the **U-channel 1 (#09) (wall profile)** along your vertical line and mark the position of the holes for drilling. You need to use at least four holes for the **U-channel 1 (#09) (wall profile)**.

- Drill the holes into the wall using a **5/16" Ø** drill bit.
- Insert the **wall anchors (#13)** into your 5/16" holes.
- Apply silicone to the back of the **U-channel 1 (#09) (wall profile)** and attach it to the wall using the **ST4.2 x 40mm screws (#23)**.

See Fig. 4 for details



**6.** Apply good quality mildew resistant silicone into both u-channels.

- Add the **Adjustment spacers (#34)** from step#2 into to the bottom u-channel (Fig 5)

- Install the **Hinge Panel glass (#32)** into **U-channel 2 (#29) (bottom profile)** and the **U-channel 1 (#09) (wall profile)**. Apply silicone to the exposed end of the U-channel (Fig. 6).

See Fig. 5 for details

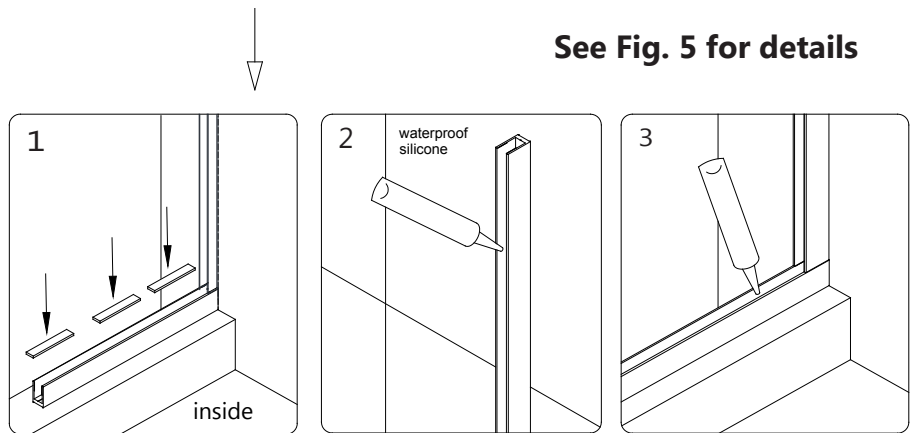


Fig 5

**NOTE:** There is a top and a bottom to the **Hinge panel glass (#32)**:

The **top hinge cutout** is 7-7/8" to center, the **bottom hinge cutout** is 8-3/8" to center. This glass must be installed correctly for a successful installation.

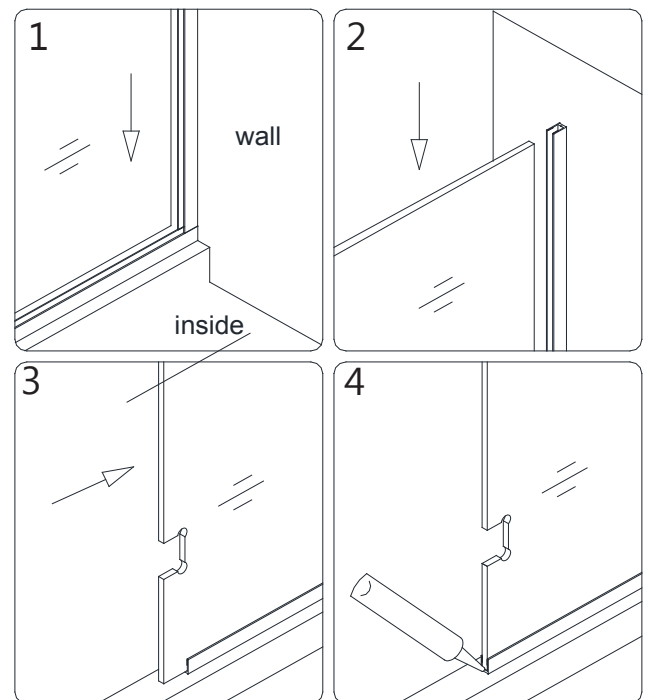
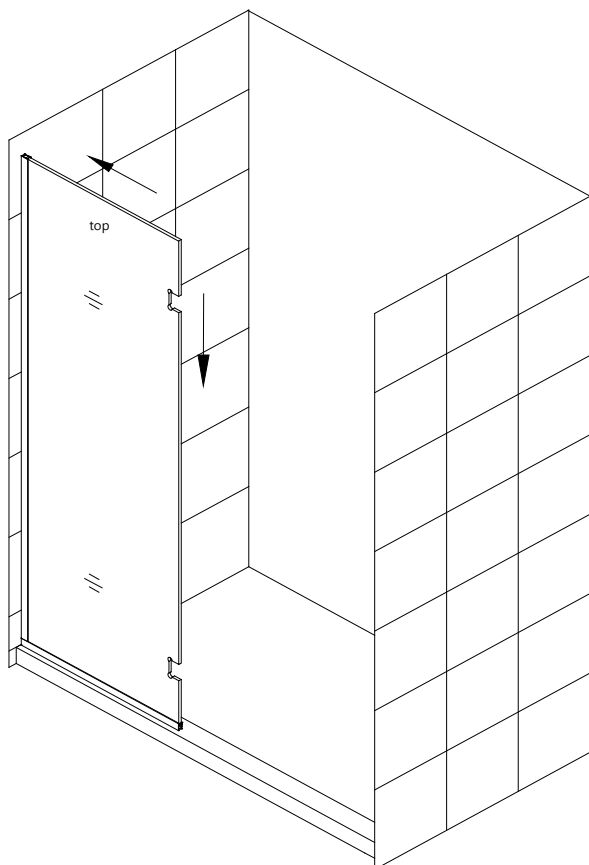


Fig 6

**7.** The **L-Bracket (#35)** is not included with the 6" hinge panel installation.

**NOTE:** If installing the **6" hinge panel glass (#32)**, it is **strongly recommended to allow the silicone to fully cure before hanging the door glass.**

If you are installing the **24" hinge panel glass (#32)**, continue onto step #8 for the installation of the **L-Bracket (#35)**.

See Fig. 7 for details

**NOTE:** If you have difficulty sliding the Stationary glass into the U-Channels, you can slightly tap on the Stationary glass with a rubber mallet and a piece of wood.

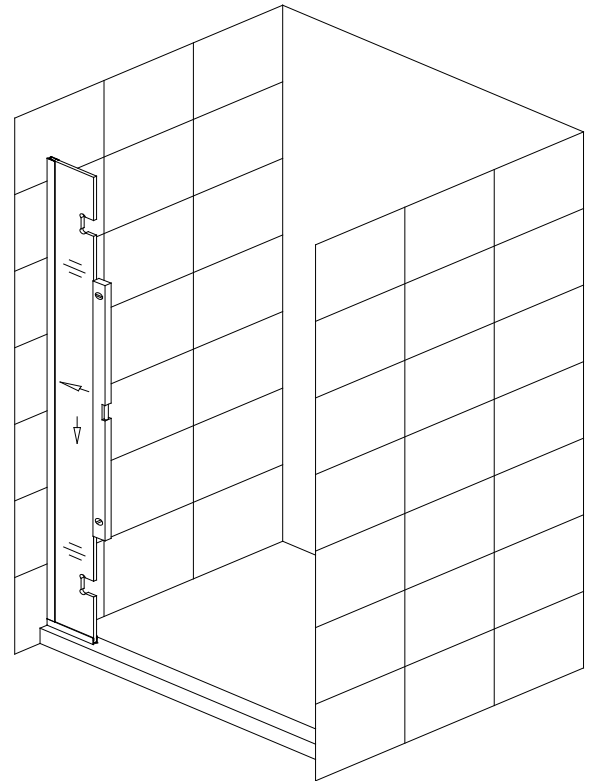
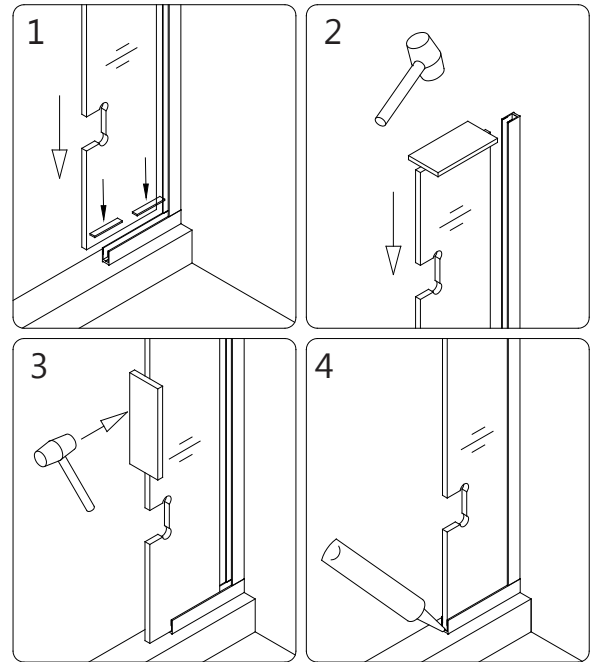
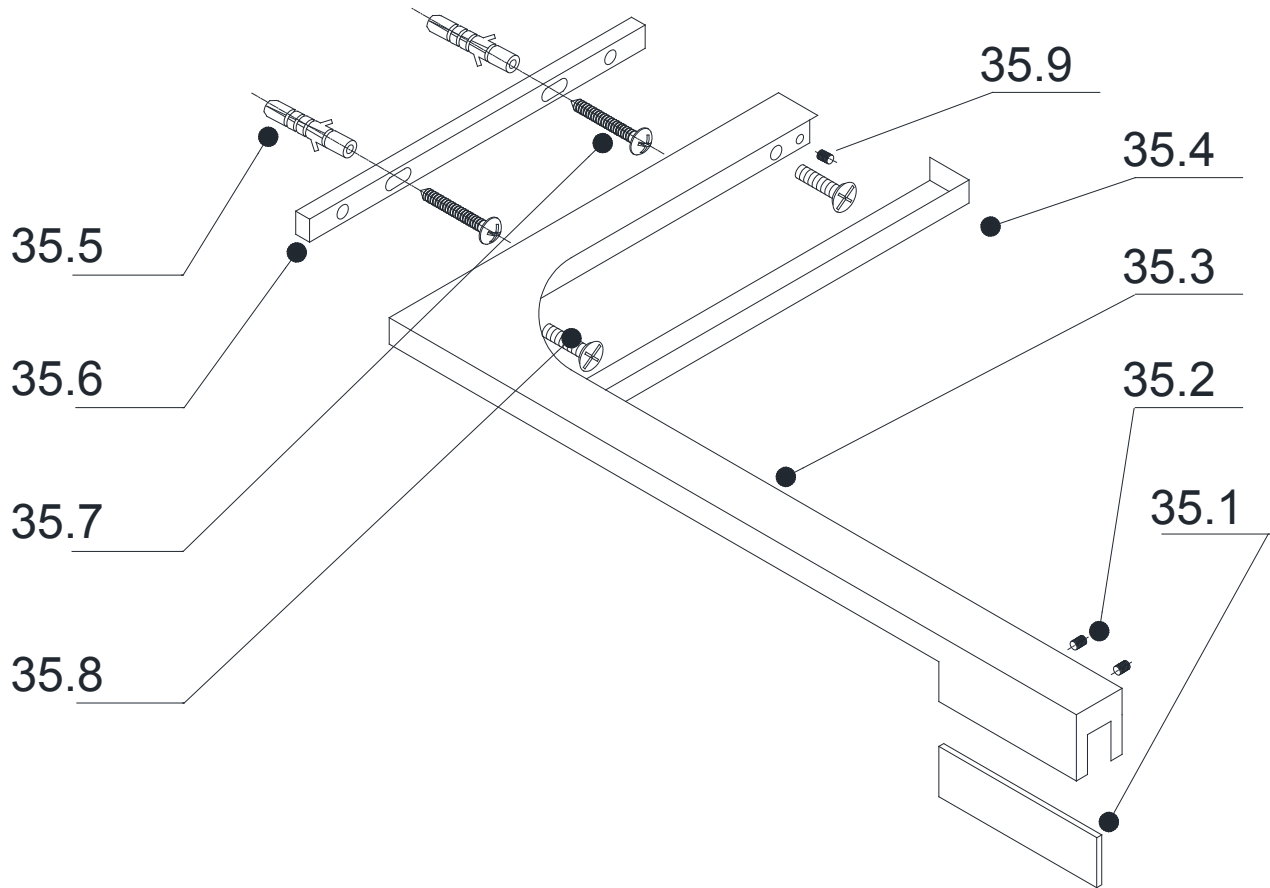


Fig 7

## L- Bracket Assembly Parts List\*\*



35.1	PVC spacer	1 pc	35.6	Wall plate	1 pc
35.2	Rubber tip set screw	2 pcs	35.7	Truss Head Screw ST 4.2 x 40	2 pcs
35.3	L-Bracket (left hand shown)	1 pc	35.8	Flat head Screw M5 x 14	2 pcs
35.4	Decorative cover	1 pc	35.9	Wall Plate adjutment set screw	2 pcs
35.5	Ø5/16" Wall anchor	6 pcs			

**\*\*L- Bracket Assembly not included with the 6" hinge panel**

## Left hand bracket installation

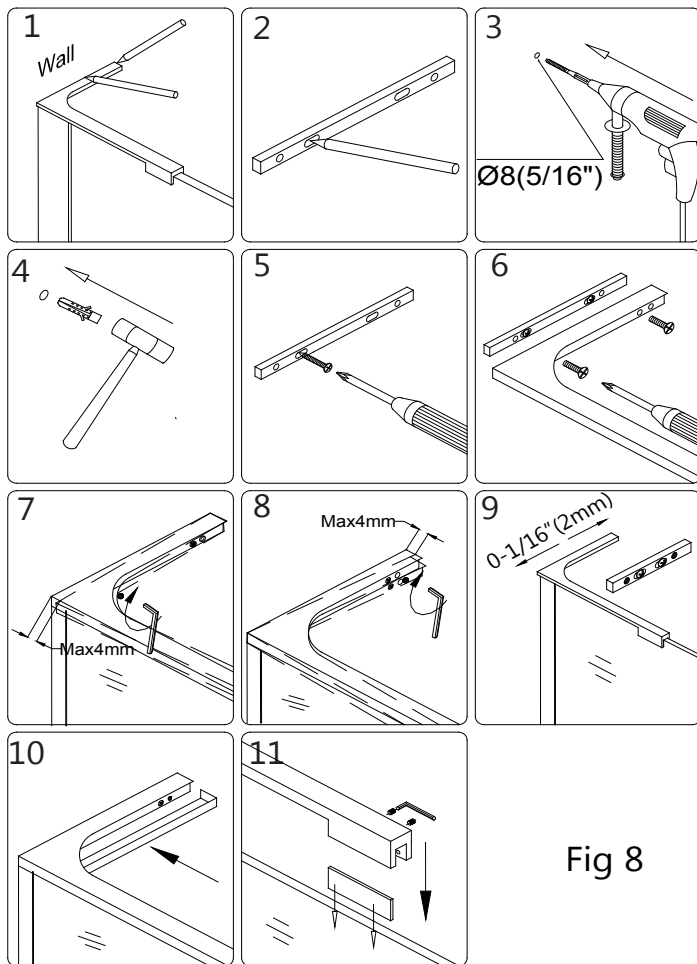
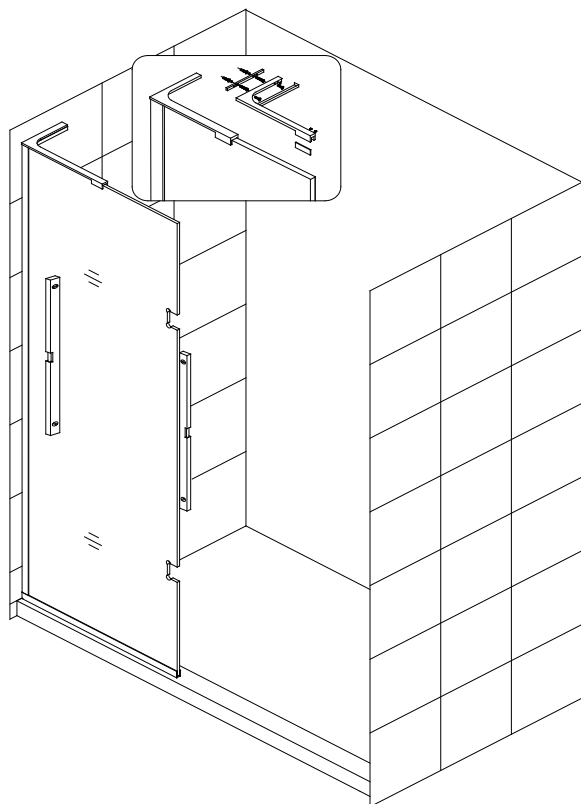


Fig 8

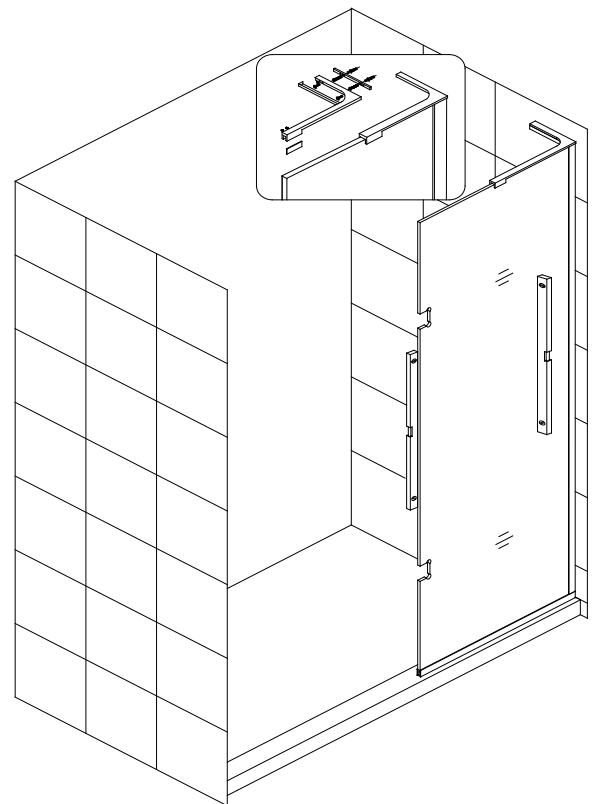
8. Install the L-Bracket assembly (#35) as shown.

See Fig. 8 & 9 for details

**NOTE: The left hand L- bracket installation is shown. Follow the same steps to install the right hand L-bracket.**



Left hand bracket installation

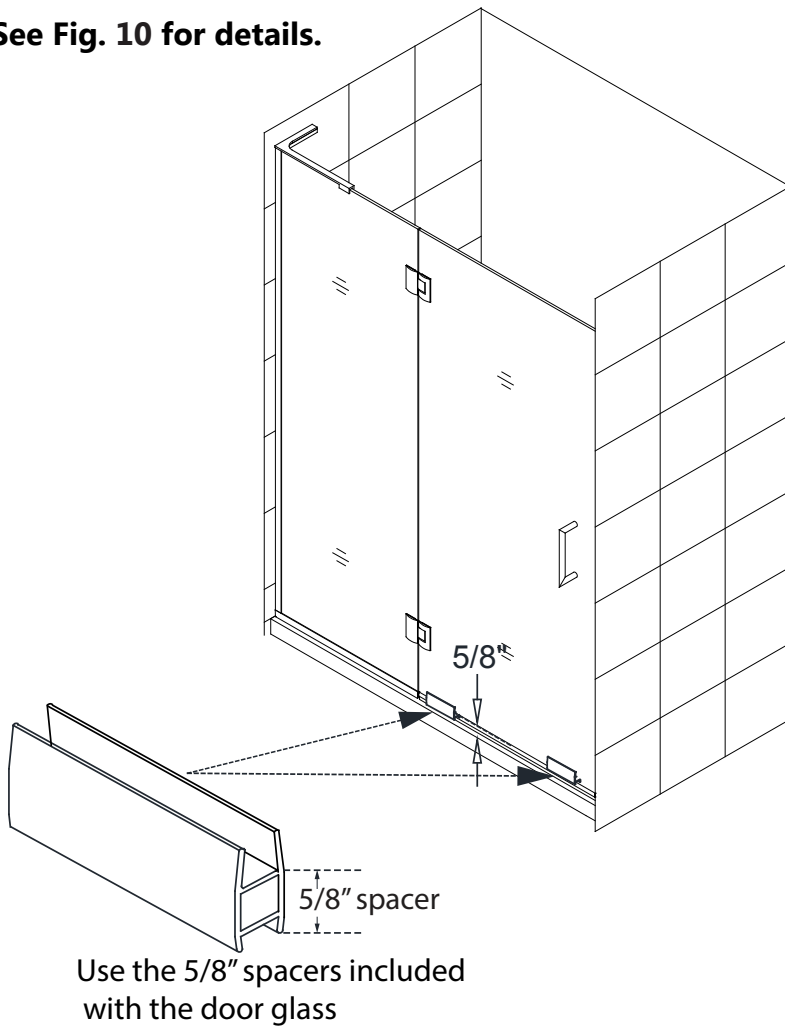


Right hand bracket installation

Fig 9

**9.** Attach the **Hinges (05)** to the **Hinge Panel glass (32)** with the decorative bolts facing inside the shower. The **Door Glass (01)** ships with four **5/8" shims** attached to the top (2pcs) and bottom (2pcs). Determine the swing of the door. Remove the shims from the top of the door glass and leave the bottom shims in place. Set the **Door Glass (01)** onto the threshold at the desired location and check for level. These 5/8" shims will leave the proper spacing at the bottom of the door glass and will ensure that the door height finishes at 72", but always confirm with a measurement. Level up the **Door Glass (01)** with the **Hinge Panel glass (32)** and fasten the hinges onto the **Door Glass (01)** using one gasket per side. Make sure the top edges of the **Door Glass (01)** and **Hinge Panel glass (32)** are aligned. Remove the 5/8" spacers from beneath the Glass door.\*\*

**See Fig. 10 for details.**



Use the 5/8" spacers included with the door glass

**10.** Mount the **Handle (02)** to the **Glass door (#01)**.

**See Fig. 11 for details.**

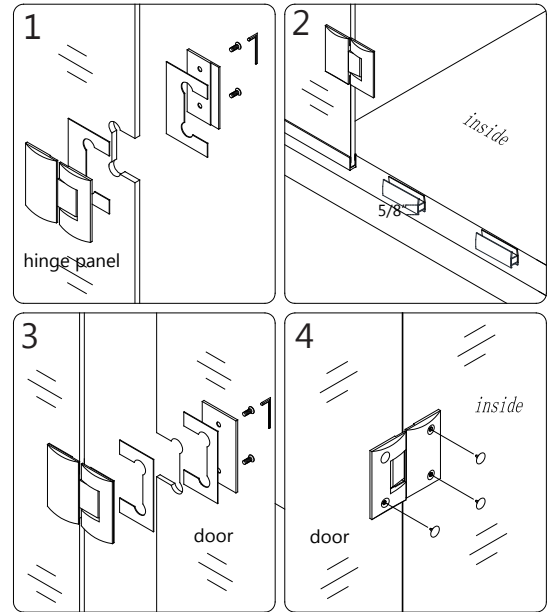


Fig 10

**\*\* NOTE:** It is strongly recommended to leave the 5/8" shims beneath the door glass until the silicone securing the hinge panel glass has fully cured.

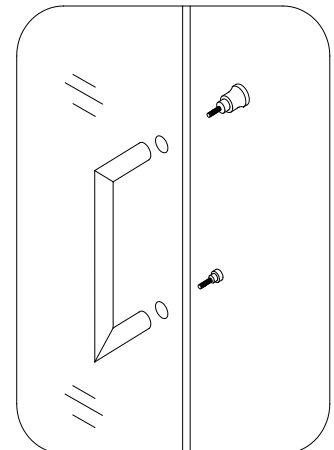


Fig 11



**11.** Measure the bottom of the **Glass door (#01)** from end to end to determine the actual width of the door. Cut the **Bottom anti-water strip (#07)** to the size of your measurement and notch  $3/8"$  of the inner side of the **Bottom anti-water strip (#07)** as shown in Fig 12. Press the **Bottom Anti-water strip (#07)** onto the bottom edge of the **Glass door (#01)**.

**NOTE:** Make sure the **Bottom anti-water strip (#07)** is flush to the vertical edge of the Handle side of the **Glass door (#01)**.

See Fig. 12 for details

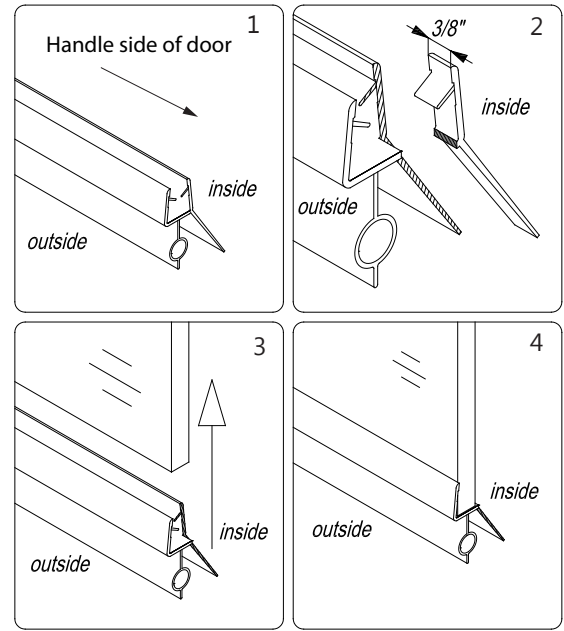


Fig 12

**12.** To install the **Flanged side strip (#33)**, take three measurements :

- from the top edge of the **Glass door (#01)** to the top of the center portion of the top **Hinge (#06)** (see Fig 13.1 for an example to use for all three measurements)
- from the bottom of the center portion of the top Hinge to the top of the center portion of the bottom **Hinge (#05)**
- from the bottom of the center portion of the bottom **Hinge (#05)** to the threshold

Cut the **Flanged side strip (#33)** according to these measurements.

Notch the cut strips to be able to slide them into the Hinges and around the installed **Bottom anti-water strip (#07)** to cover the space between both glass panels.

Open the door and press the cut strips onto the vertical edge of the **Glass door (#01)** so that it will overlap the panel glass.

See Fig. 13 for details

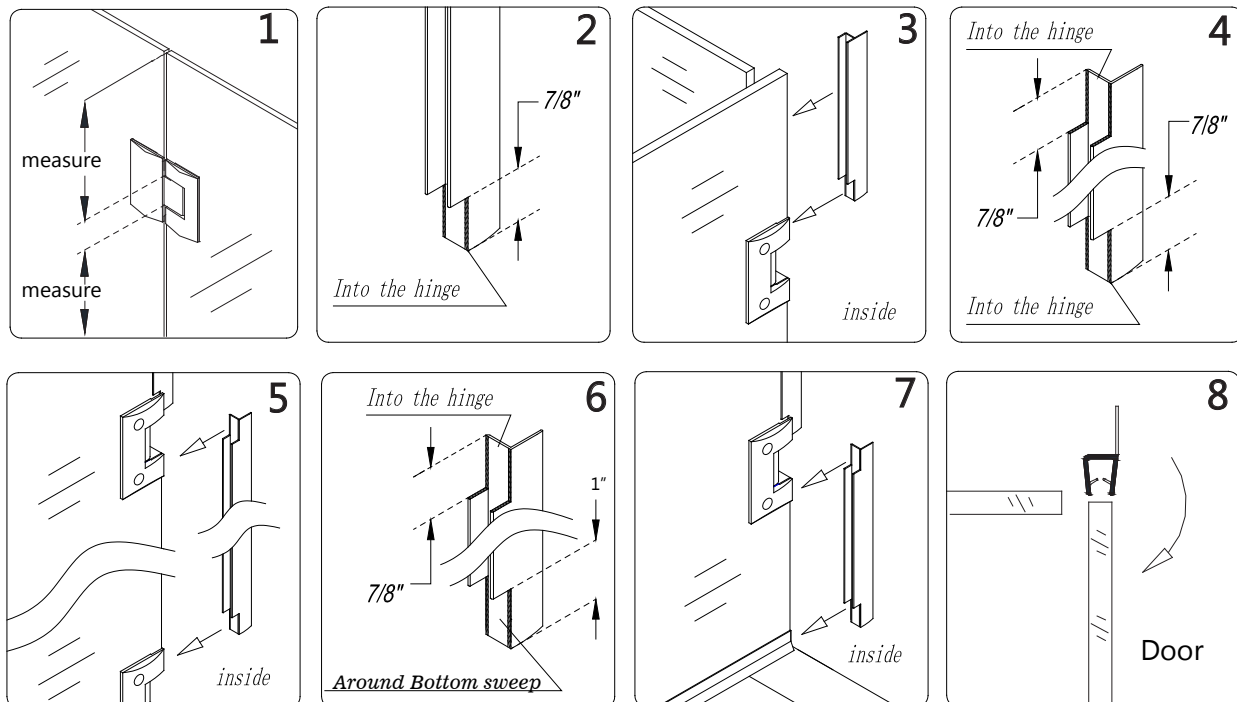


Fig 13

**For Style M only:** If your model does not include additional panel glass, proceed to install the **L-shaped strip (#08)** to the wall for the door to close against to seal.

**ATTENTION:**

Prior to the next step, please be sure that the section of the wall where you need to attach the **L-shaped strip (#08)** is clean, dry and free from soap, oil and any construction debris.

**13.** With the door closed place the **L-shaped strip (#08)** on the door edge and mark its location on the wall.

Please note that the corner of the **L-shaped strip (#08)** should face inward.

With the door opened, remove the tape backing from the adhesive strip and firmly press the **L-shaped strip (#08)** to the wall. Allow time for the adhesive to set before allowing the door to close against the **L-shaped strip (#08)**.

See Fig. 14 for details

**NOTE:**

The above procedure for installing the **L-shaped strip (#08)** is for the **Unidoor Style M** shower door only. If installing another model please refer to the separate panel glass installation manual located in the glass packaging for model specific instructions. Hinges set to over-close require the use of the **L-shaped strip (#08)** or other strike vinyl.

**NOTE:**

If the model included adjustable hinges, see page #19 for the adjustable hinge instructions.

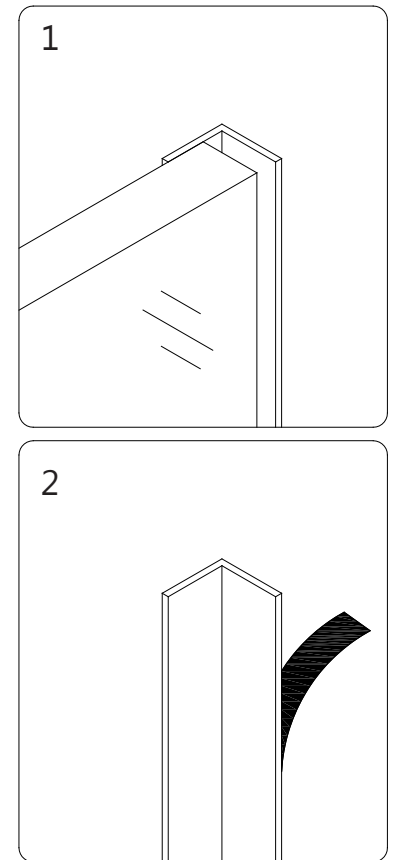
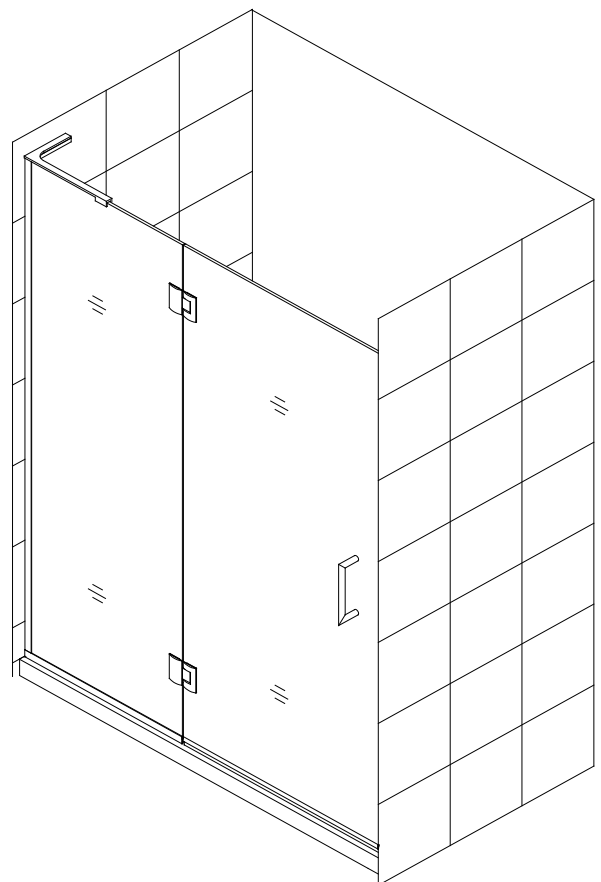


Fig 14



**14.** With the door open apply waterproof silicone along the connection of both U-Channels to the wall and threshold on the inside of shower.

**NOTE:** The surface needs to be clean and free of debris before applying silicone. Let the silicone cure before closing the door to avoid contact with the **Bottom anti-water strip (#33)**.

**See Fig. 15 for details**

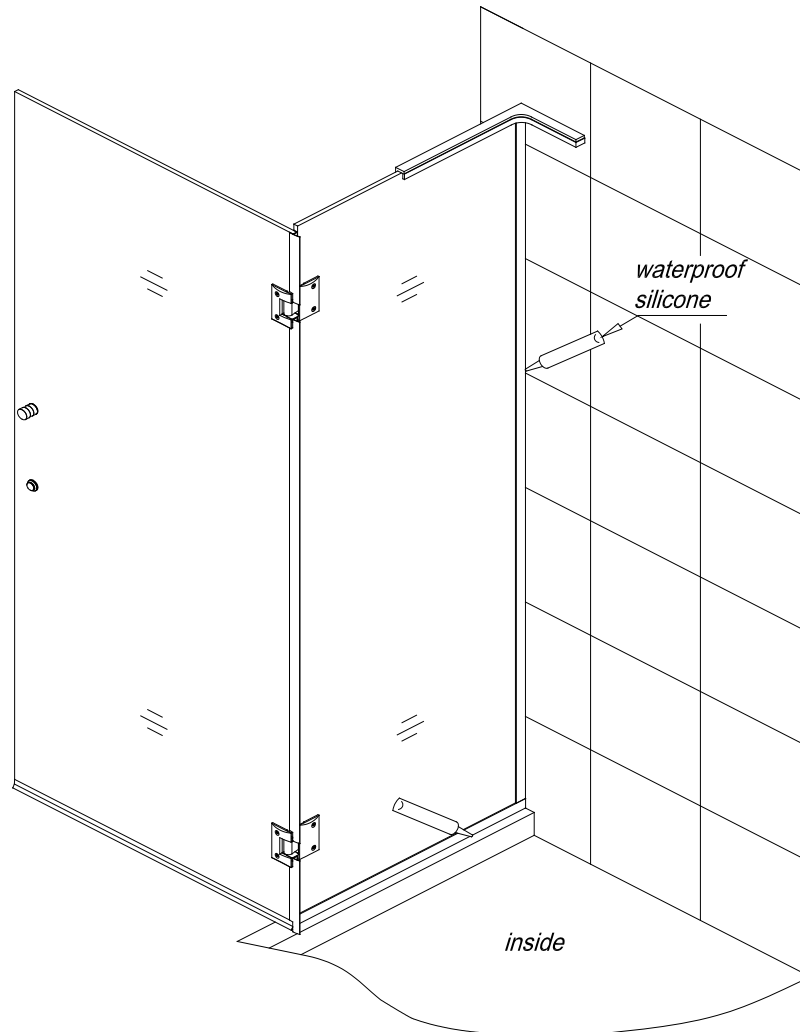


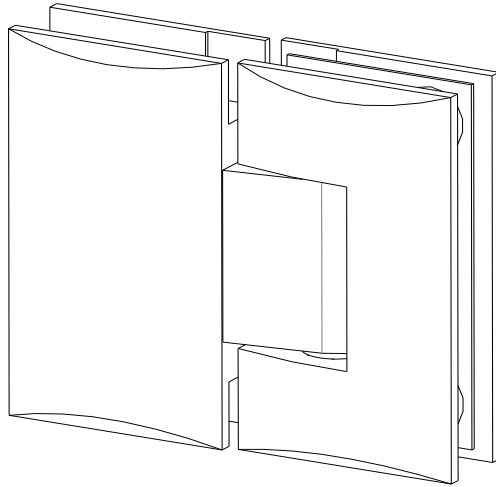
Fig 15

**15.** Allow 24 hours for the silicone to fully cure before using the shower.

**NOTE:** If your model includes additional panel glass, please find the manual for the panel glass installation in the panel glass packaging.



## HG-PRS20A Adjustable Hinge Manual



### Installation & Adjustment

**1.** Make sure the door glass is plumb and the edge of the hinge is installed flush with the glass edge. Tighten the faceplate screws. (Figure 1)

**2.** The hinges are set to overclose at 172°. You can change this angle by using the adjustment screws on the hinge plate. (Figure 2)

**3.** Use the supplied Allen Key to loosen the adjustment screws on the hinge plate, adjust the door to the desired angle then tighten the adjustment screws. (Figure 3)

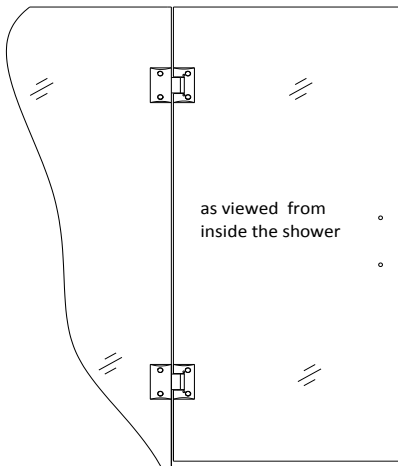


Figure 1

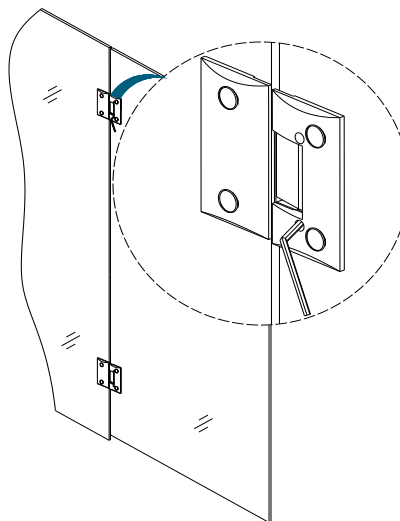


Figure 2

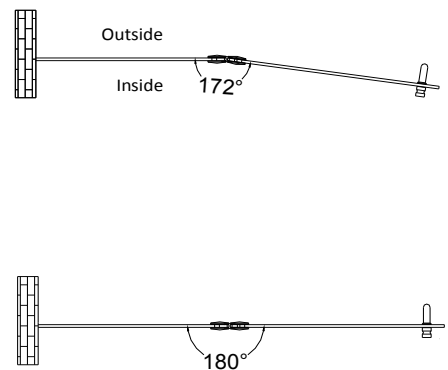


Figure 3

### Safe Use & Daily Maintenance

- The overclose setting requires strike vinyl for the door to close against and seal.
- Use a soft cloth to clean the hinge surfaces. Do not use abrasives or acidic liquids as this will damage the finish.
- Be careful not to scratch the finished surfaces of the hinge during installation.

## **Product Maintenance**

BASES and BACKWALLS: To ensure long lasting life for your acrylic back walls: wipe them off after each use with a soft cloth. To clean the acrylic back walls use non-abrasive sprays or cream based cleaners. Avoid the use of aerosol spray cleaners. Never use abrasive cleansers, metal brushes or scrapers that could scratch or dull the surface.

GLASS: To ensure long lasting life for your glass shower products: wipe them off after each use with a soft cloth. Rinse and wipe off the glass using either a soft cloth or a squeegee to prevent soap buildup and water spots (Hard water can etch the surface of the glass over time if left to dry). To prevent scratching the surface: never use abrasive cleaners or cleaning products that contain scouring agents. Never use bristle brushes or abrasive sponges that may scratch the surface.

HARDWARE: To ensure a long lasting finish: wipe off the metal parts after each use with a soft cloth. Do not use abrasive cleaners or cleaning products containing ammonia, bleach or acid. If accidentally used, rinse the surface as soon as possible to prevent damage to the finish (peeling or corrosion). After cleaning the polished finishes, rinse thoroughly and wipe dry with soft cloth.

Clean stainless steel surfaces at least once a week. When applying stainless steel cleaner or polish to stainless steel hardware, work with (not across) the grain. Never use an abrasive sponge or cloth, steel wool or wired brush as these may permanently scratch the surfaces.



TEL: 866-731-2244

FAX: 866-857-3638

DREAMLINE.COM

For more information on DreamLine® Shower Doors and Enclosures please visit [DreamLine.com](http://DreamLine.com)

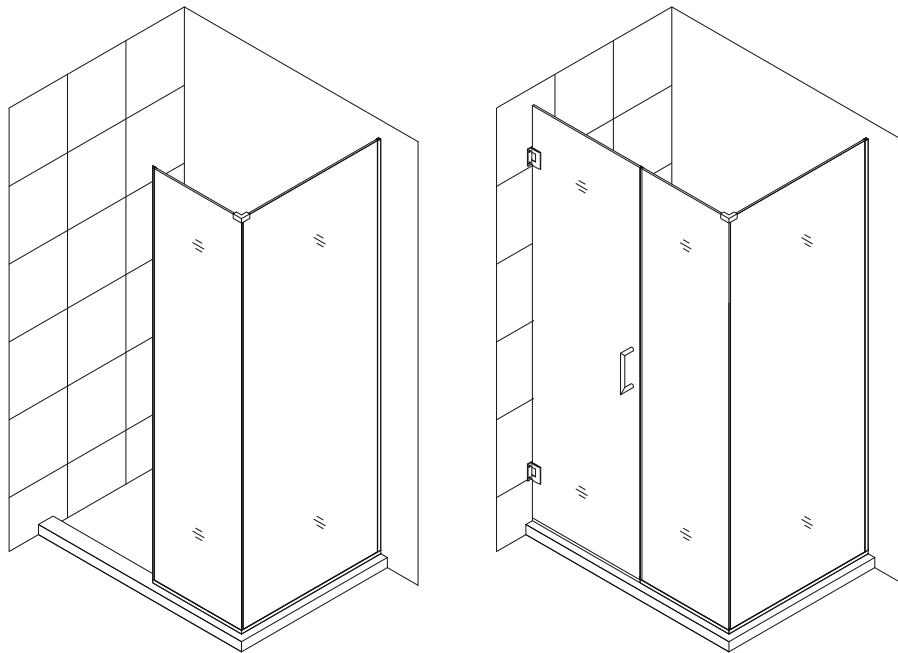


# UNIDOOR PLUS (STYLE I)

## SHOWER ENCLOSURE GLASS PANEL INSTALLATION INSTRUCTIONS

### IMPORTANT

DreamLine® reserves the right to alter, modify or redesign products at any time without prior notice. For the latest up-to-date technical drawings, manuals, warranty information or additional details please refer to your model's web page on **DreamLine.com**



**STYLE I**

*Right side panel installation shown*

**ATTENTION:** This model features the half etched glass option. Please see specific installation instructions on page 20 when applicable.

Please read these instructions carefully before installing. If you have any questions regarding installation, please contact our technical support specialists Monday through Friday 8:00 AM – 7:00 PM EST at Phone: **1-866-731-2244**, Fax: **1-866-857-3638** or e-mail our technical support group at **Support@DreamLine.com**

For more information about DreamLine® products please visit [DreamLine.com](http://DreamLine.com)

**Model#s:**

SHEN-24290300  
 SHEN-24290340  
 SHEN-24295300  
 SHEN-24295340  
 SHEN-24300300  
 SHEN-24300340  
 SHEN-24305300  
 SHEN-24305340  
 SHEN-24310300  
 SHEN-24310340  
 SHEN-24315300  
 SHEN-24315340  
 SHEN-24320300  
 SHEN-24320340  
 SHEN-24325300  
 SHEN-24325340  
 SHEN-24330300  
 SHEN-24330340  
 SHEN-24335300  
 SHEN-24335340  
 SHEN-24340300  
 SHEN-24340340  
 SHEN-24345300  
 SHEN-24345340  
 SHEN-24350300  
 SHEN-24350340  
 SHEN-24355300  
 SHEN-24355340  
 SHEN-24360300  
 SHEN-24360340  
 SHEN-24365300  
 SHEN-24365340  
 SHEN-24290300-HFR  
 SHEN-24290340-HFR  
 SHEN-24295300-HFR  
 SHEN-24295340-HFR  
 SHEN-24300300-HFR  
 SHEN-24300340-HFR  
 SHEN-24305300-HFR  
 SHEN-24305340-HFR  
 SHEN-24310300-HFR  
 SHEN-24310340-HFR  
 SHEN-24315300-HFR  
 SHEN-24315340-HFR  
 SHEN-24320300-HFR  
 SHEN-24320340-HFR  
 SHEN-24325300-HFR  
 SHEN-24325340-HFR  
 SHEN-24330300-HFR  
 SHEN-24330340-HFR  
 SHEN-24335300-HFR  
 SHEN-24335340-HFR  
 SHEN-24340300-HFR  
 SHEN-24340340-HFR  
 SHEN-24345300-HFR  
 SHEN-24345340-HFR  
 SHEN-24350300-HFR  
 SHEN-24350340-HFR  
 SHEN-24355300-HFR  
 SHEN-24355340-HFR  
 SHEN-24360300-HFR  
 SHEN-24360340-HFR  
 SHEN-24365300-HFR  
 SHEN-24365340-HFR

**Model#s:**

SHEN-24370300  
 SHEN-24370340  
 SHEN-24375300  
 SHEN-24375340  
 SHEN-24380300  
 SHEN-24380340  
 SHEN-24385300  
 SHEN-24385340  
 SHEN-24390300  
 SHEN-24390340  
 SHEN-24395300  
 SHEN-24395340  
 SHEN-24400300  
 SHEN-24400340  
 SHEN-24405300  
 SHEN-24405340  
 SHEN-24410300  
 SHEN-24410340  
 SHEN-24415300  
 SHEN-24415340  
 SHEN-24420300  
 SHEN-24420340  
 SHEN-24425300  
 SHEN-24425340  
 SHEN-24430300  
 SHEN-24430340  
 SHEN-24435300  
 SHEN-24435340  
 SHEN-24440300  
 SHEN-24440340  
 SHEN-24445300  
 SHEN-24445340  
 SHEN-24370300-HFR  
 SHEN-24370340-HFR  
 SHEN-24375300-HFR  
 SHEN-24375340-HFR  
 SHEN-24380300-HFR  
 SHEN-24380340-HFR  
 SHEN-24385300-HFR  
 SHEN-24385340-HFR  
 SHEN-24390300-HFR  
 SHEN-24390340-HFR  
 SHEN-24395300-HFR  
 SHEN-24395340-HFR  
 SHEN-24400300-HFR  
 SHEN-24400340-HFR  
 SHEN-24405300-HFR  
 SHEN-24405340-HFR  
 SHEN-24410300-HFR  
 SHEN-24410340-HFR  
 SHEN-24415300-HFR  
 SHEN-24415340-HFR  
 SHEN-24420300-HFR  
 SHEN-24420340-HFR  
 SHEN-24425300-HFR  
 SHEN-24425340-HFR  
 SHEN-24430300-HFR  
 SHEN-24430340-HFR  
 SHEN-24435300-HFR  
 SHEN-24435340-HFR  
 SHEN-24440300-HFR  
 SHEN-24440340-HFR  
 SHEN-24445300-HFR  
 SHEN-24445340-HFR

**Model#s:**

SHEN-24450300  
 SHEN-24450340  
 SHEN-24455300  
 SHEN-24455340  
 SHEN-24460300  
 SHEN-24460340  
 SHEN-24465300  
 SHEN-24465340  
 SHEN-24470300  
 SHEN-24470340  
 SHEN-24475300  
 SHEN-24475340  
 SHEN-24480300  
 SHEN-24480340  
 SHEN-24485300  
 SHEN-24485340  
 SHEN-24490300  
 SHEN-24490340  
 SHEN-24495300  
 SHEN-24495340  
 SHEN-24500300  
 SHEN-24500340  
 SHEN-24505300  
 SHEN-24505340  
 SHEN-24510300  
 SHEN-24510340  
 SHEN-24515300  
 SHEN-24515340  
 SHEN-24520300  
 SHEN-24520340  
 SHEN-24525300  
 SHEN-24525340  
 SHEN-24450300-HFR  
 SHEN-24450340-HFR  
 SHEN-24455300-HFR  
 SHEN-24455340-HFR  
 SHEN-24460300-HFR  
 SHEN-24460340-HFR  
 SHEN-24465300-HFR  
 SHEN-24465340-HFR  
 SHEN-24470300-HFR  
 SHEN-24470340-HFR  
 SHEN-24475300-HFR  
 SHEN-24475340-HFR  
 SHEN-24480300-HFR  
 SHEN-24480340-HFR  
 SHEN-24485300-HFR  
 SHEN-24485340-HFR  
 SHEN-24490300-HFR  
 SHEN-24490340-HFR  
 SHEN-24495300-HFR  
 SHEN-24495340-HFR  
 SHEN-24500300-HFR  
 SHEN-24500340-HFR  
 SHEN-24505300-HFR  
 SHEN-24505340-HFR  
 SHEN-24510300-HFR  
 SHEN-24510340-HFR  
 SHEN-24515300-HFR  
 SHEN-24515340-HFR  
 SHEN-24520300-HFR  
 SHEN-24520340-HFR  
 SHEN-24525300-HFR  
 SHEN-24525340-HFR

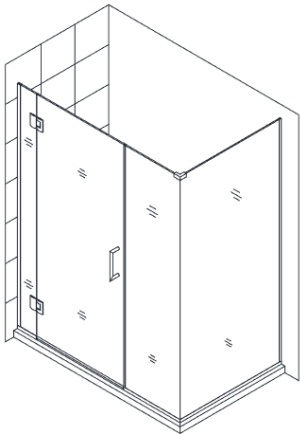
**Model#s:**

SHEN-24530300  
 SHEN-24530340  
 SHEN-24535300  
 SHEN-24535340  
 SHEN-24540300  
 SHEN-24540340  
 SHEN-24545300  
 SHEN-24545340  
 SHEN-24550300  
 SHEN-24550340  
 SHEN-24555300  
 SHEN-24555340  
 SHEN-24560300  
 SHEN-24560340  
 SHEN-24565300  
 SHEN-24565340  
 SHEN-24570300  
 SHEN-24570340  
 SHEN-24575300  
 SHEN-24575340  
 SHEN-24580300  
 SHEN-24580340  
 SHEN-24585300  
 SHEN-24585340  
 SHEN-24590300  
 SHEN-24590340  
 SHEN-24595300  
 SHEN-24595340  
 SHEN-24600300  
 SHEN-24600340  
 SHEN-24605300  
 SHEN-24605340  
 SHEN-24530300-HFR  
 SHEN-24530340-HFR  
 SHEN-24535300-HFR  
 SHEN-24535340-HFR  
 SHEN-24540300-HFR  
 SHEN-24540340-HFR  
 SHEN-24545300-HFR  
 SHEN-24545340-HFR  
 SHEN-24550300-HFR  
 SHEN-24550340-HFR  
 SHEN-24555300-HFR  
 SHEN-24555340-HFR  
 SHEN-24560300-HFR  
 SHEN-24560340-HFR  
 SHEN-24565300-HFR  
 SHEN-24565340-HFR  
 SHEN-24570300-HFR  
 SHEN-24570340-HFR  
 SHEN-24575300-HFR  
 SHEN-24575340-HFR  
 SHEN-24580300-HFR  
 SHEN-24580340-HFR  
 SHEN-24585300-HFR  
 SHEN-24585340-HFR  
 SHEN-24590300-HFR  
 SHEN-24590340-HFR  
 SHEN-24595300-HFR  
 SHEN-24595340-HFR  
 SHEN-24600300-HFR  
 SHEN-24600340-HFR

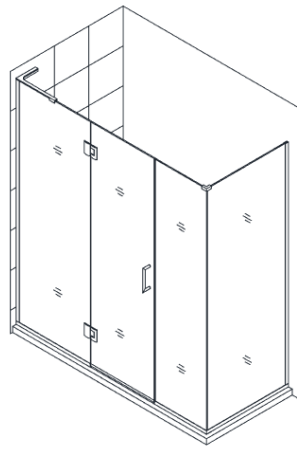
Finishes: -01 Chrome -04 Brushed Nickel -06 Oil Rubbed Bronze HFR= Half Frosted Band



**ADDITIONAL MODEL CONFIGURATIONS for UNIDOOR- X GLASS-TO-GLASS HINGE DOORS**



**Style M3<sup>6</sup>**



**Style M3<sup>24</sup>**

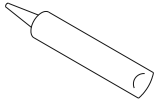
<b>Model#s:</b>		
E1230630-##	E1271434	E3280630L
E1230634	E12714530	E3280630R
E12306530	E12714534	E3280634L
E12306534	E1281430	E3280634R
E1233030	E1281434	E32806530L
E1233034	E1292230	E32806530R
E12330530	E1292234	E32806534L
E12330534	E12922530	E32806534R
E1240630	E12922534	E3290630L
E1240634	E1302230	E3290630R
E1243030	E1302234	E3290634L
E1243034	E13022530	E3290634R
E1251430	E13022534	E32906530L
E1251434	E3270630L	E32906530R
E12514530	E3270630R	E32906534L
E12514534	E3270634L	E32906534R
E1261430	E3270634R	E3300630L
E1261434	E32706530L	E3300630R
E12614530	E32706530R	E3300634L
E12614534	E32706534L	E3300634R
E1271430	E32706534R	

## Preparation

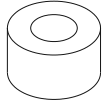
1. Prior to installation, examine all boxes and packages for shipping damage and compare the piece count with your packing slip. After opening all boxes and packages read this introduction carefully. Check that all of the needed parts are included in the package by checking off the components on the "Detailed Diagram of Shower Door Components". If the unit has been damaged, has a finishing defect, or has missing parts, please contact our customer support department within **3 business days** of the delivery date. Please note that **DreamLine® will not replace any damaged products or missing parts free of charge after 3 business days or if the product has been installed.** Feel free to contact DreamLine® if you have any questions, and please provide an order number, job name or other proof of purchase to help us identify your original order.
2. **Please note that you should consult your local building codes with questions on installation compliance standards. Building and plumbing codes may vary by location, and DreamLine is not responsible for code compliance standards for your project and will not accept any returns.**
3. If this unit is going to be installed in new construction, please install all of the required plumbing and drainage before installing the shower. **Use a competent and licensed (if required by local code) plumber for all plumbing installation.**
4. Prior to the installation, please ensure that the installation surface is level and solid and will be able to support the total weight of the unit. Also make sure that the walls are plumb. Depending on the type of unit you are installing, some adjustments in leveling may be possible. However, irregular installation, surface level or out of square conditions can result in serious problems for your installation. Please note that some adjustments and drilling may be necessary. Please protect all primary surfaces of the product during installation. **Never set your glass down directly onto a tile floor.** Always use a piece of wood or cardboard to protect the bottom edge and corners of the glass.
5. **Note: The installation of this unit requires that you drill down into the threshold.**
6. **This model requires a minimum 5/8" of flat threshold space for installation.**
7. **This model has 1/2" of adjustment within the u-channel on the stationary panel side for out-of-plumb wall conditions and overall width within the model size. Confirm the finished opening conditions before proceeding with the installation.**
8. **Professional installation recommended.**

**NOTE:** This model is reversible for left or right hand installation. This manual will show the right side panel installation. For a left side panel installation, simply begin on the opposite wall and reverse the orientation of the parts as necessary.

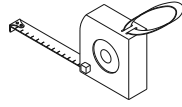
## Tools Required



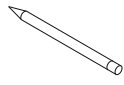
Caulk



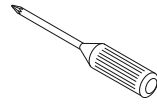
Painters Tape



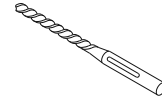
Tape Measure



Pencil



Phillips Screwdriver



Drill bit (Ø=5/16")



Drill bit (Ø=1/8")



Level



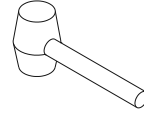
Caulk Gun



Electric Drill



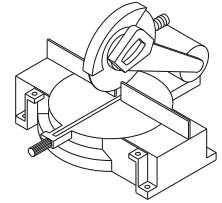
Hammer



Mallet

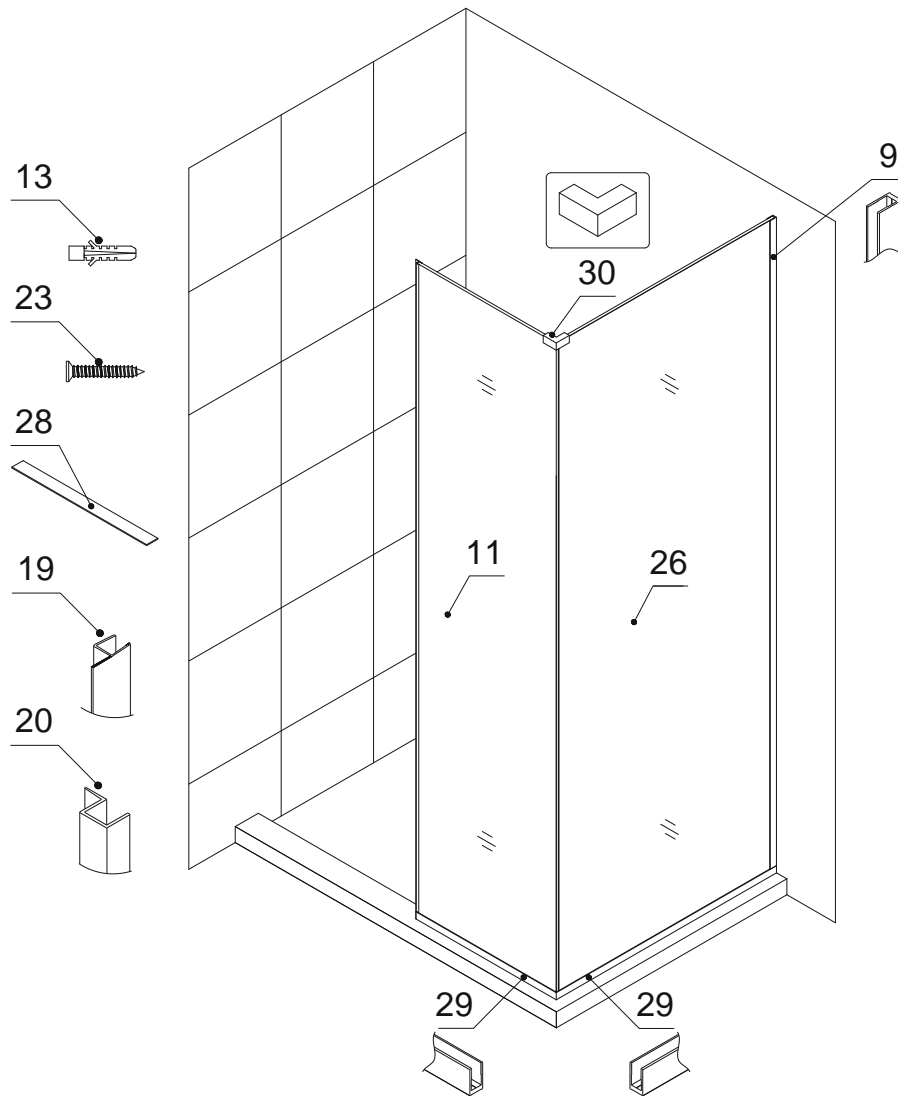


Wood



Miter saw

## Detailed Diagram of Glass Panel Components



### Packing List

09	U-channel 1 (76", wall profile)	1pc	23	Countersunk screw ST4.2x40	14pcs
11	Stationary glass	1pc	26	Return panel glass	1pc
13	Ø5/16" Wall anchor	14pcs	28	Adjustment Spacer	6pcs
19	Anti-Water strip (inline panel)	1pc	29	U-channel 2 (44", bottom profile)	2pcs
20	Anti-Water strip (enclosure) *	1pc	30	90° Corner Bracket	1pc

**NOTE:** Unpack your unit carefully and inspect it. Lay it out and identify all parts using the detailed diagram and packing list in your manual as a reference. Before discarding the carton, check for small hardware bags that may have fallen to the bottom of the box. If any parts are damaged or missing, please contact DreamLine® for replacement. The shipping boxes may contain extra parts not used in your model configuration.

**NOTE:** Retain these installation instructions for future reference.

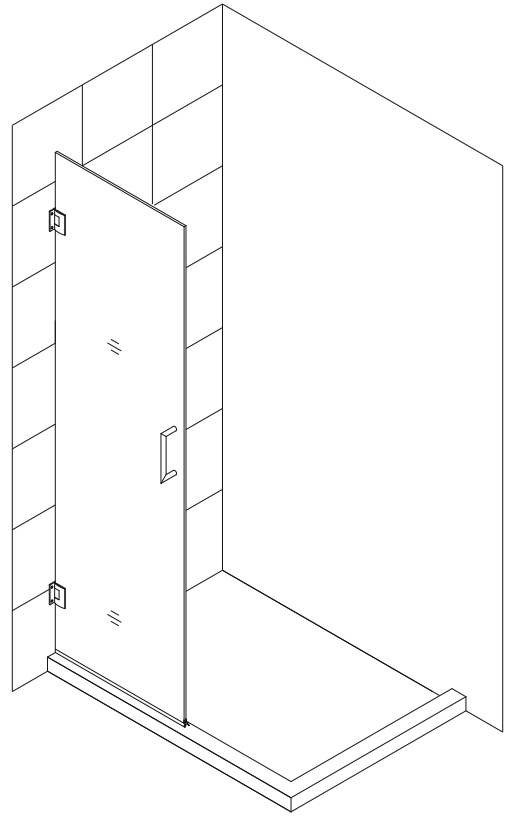
**\* ATTENTION: Anti-Water strip (enclosure) (20) used for 30" - 34" return stationary panel Installation (STYLE L).**

## Style "I": In-Line Panel with 30"-34" Return Panel Installation

**NOTE:** The Unidoor shower door needs to be installed prior to proceeding with the following Stationary and Return Glass installation instructions. Please see the Single Shower Door installation manual included in the door packaging for complete shower door installation instructions. Before you begin the installation, please recheck your shower opening size. Specific size information can be found using the "SKU TO GLASS SIZE GUIDE" below and on our website at [DreamLine.com](http://DreamLine.com)

**NOTE:** The installation of this enclosure requires two installers.

**NOTE:** Use parts from "Detailed Diagram of Glass Panel Components" for the glass panel assembly and installation.



1. Please locate and record the SKU numbers found on the packaging of both glass panels and door. You will specifically need all **Product Width** values to calculate your Shower Enclosure size.

### SKU TO GLASS SIZE GUIDE

<b>Product Width</b>	<b>Product Height</b>
22"	72"



# SHDR-GL2402-227210-HFR

Product Line	Glass	Model	Product Thickness	Glass Type
SHEN Shower Enclosure			10mm	No Code Clear
SHDR Shower & Tub Door				FR Frosted
				HFR Frosted Band

#### Example

**SHDR-GL2402-227210-HFR**

Unidoor Plus Shower Door Glass Panel 22" x 72" x 10mm. Half-Frosted Band.

2. Please mark measurement lines on the wall and threshold for the **Glass Door** and **U-channel** according to the size of your model.

You will need to use the **Product Width** values determined in step #1 in Size Table A. **Please Note** that these dimensions are nominal dimensions and not actual glass sizes.

**NOTE: M and L dimensions are from the finished wall to the outside of the U-channel as shown in Fig. 1.**

M =	Door	+	Panel	-	1/8"
L =	Return Panel	+	7/16"		

Size Table A

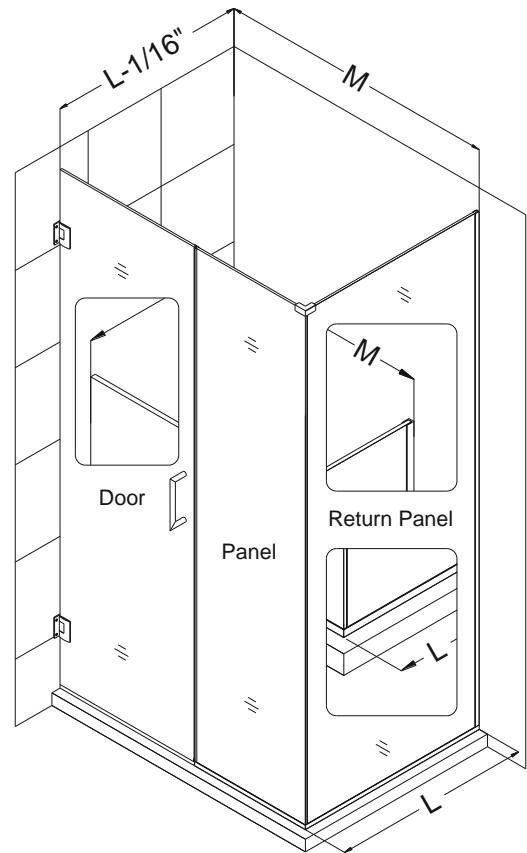


Fig. 1

**NOTE: The Unidoor hinge is designed to over close 8°. The following procedure is recommended to ensure proper alignment of the panel glass and door.**

3. Align the **Door** so that it is perpendicular to the wall and parallel to the threshold. Measure across the bottom span of the **Door** and threshold on the outside of shower and determine an equal value.

Mark a line on the threshold base on the handle side

See Fig. 2 for details.

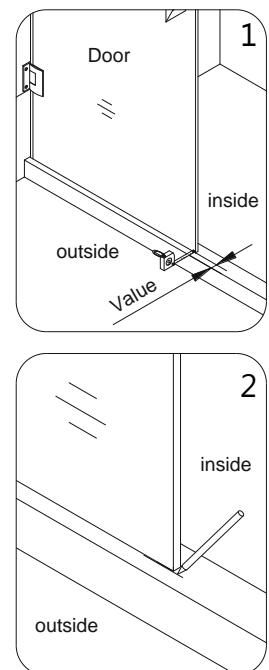


Fig. 2

4. Measure the actual width of your **Return panel glass (26)** panel.

**NOTE:** You will be doing straight and 45° cuts for this enclosure installation.

**\*All 45° cuts are from the outside dimension. (tip to tip)**

**\*It may be necessary to remove any burrs from the cut end of the U-channels with a metal file before placing the U-channel onto the glass.**

Use a miter saw to rough straight cut one of the **U-channel 2 (44", bottom profiles) (29)** to the actual width of the glass (+) 1-1/4".

See Fig. 3 & 4 for details.

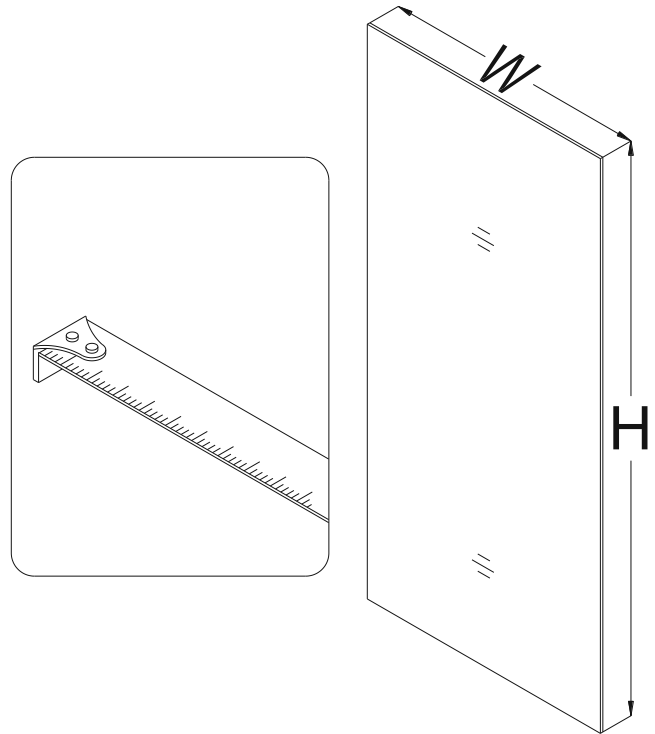


Fig. 3

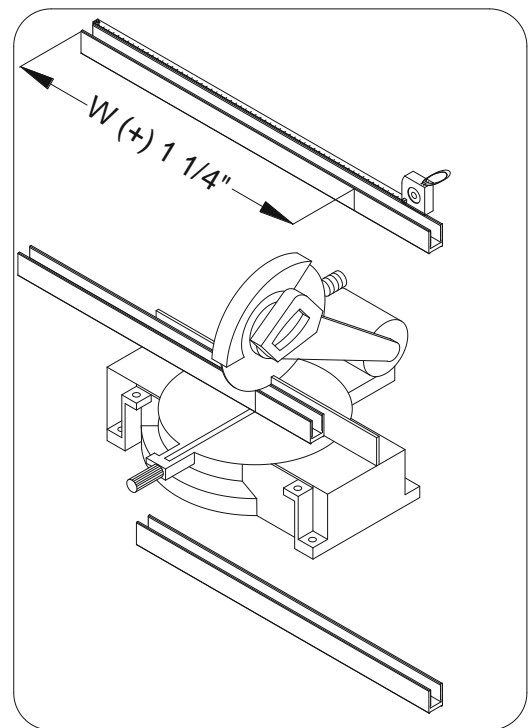


Fig. 4

5. Slip the cut **U-channel 2 (44", bottom profile) (29)** and uncut **U-channel 1 (76", wall profile) (09)** onto the **Return panel glass (26)** in the shown locations.

Insert three to four 2" pieces of the **Adjustment spacer (#28)** into the **bottom u-channel (#29)** as necessary to level the panel glass. (Fig.5.1)

With the door open, place the **Return panel glass** on the threshold adjacent to door and in line with the wall mark. Adjust the **Return panel glass** and **U-channel 1 (wall profile)** against the wall to compensate for any out of plumb conditions ensuring that the **Return panel glass** is level vertically and **U-channel 1** is flush with the wall.

Mark the **U-channel 2 (bottom profile)** end opposite of the wall at the exposed vertical glass edge.

Remove the **U-channel 2 (bottom profile)**. Leave the **U-channel 1 (wall profile)** on the **Return panel glass**. Set the **Return panel glass** aside.

Cut the **U-channel 2 (bottom profile)** 45° to the mark (+) 1/2". The end facing the wall will remain straight.

Slip the **U-channel 2 (bottom profile)** back onto the **Return panel glass** and set the **Return panel glass** aside.

See Fig. 5 for details.

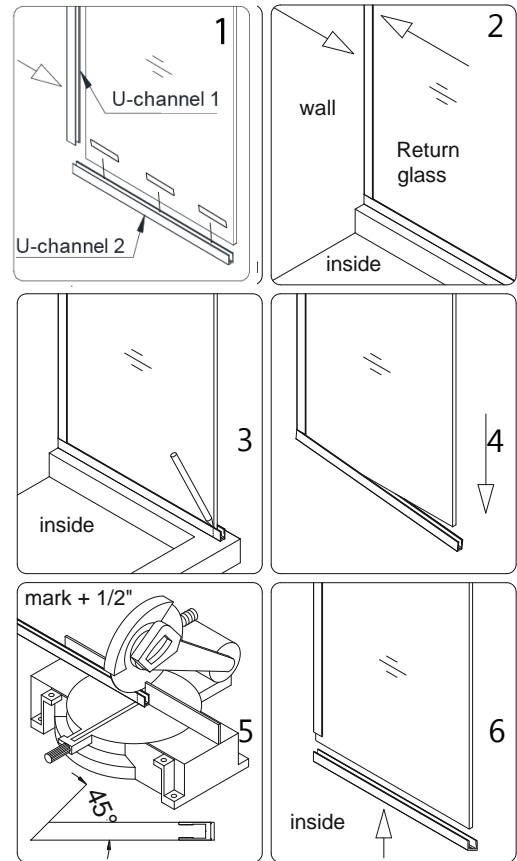


Fig. 5

6. Measure the actual width of your **Stationary glass (11)** panel.

Use a miter saw to cut the second **U-channel 2 (44", bottom profile) (29)** 45° to the actual width of the glass (+) 1/16".

See Fig. 6 & 7 for details.

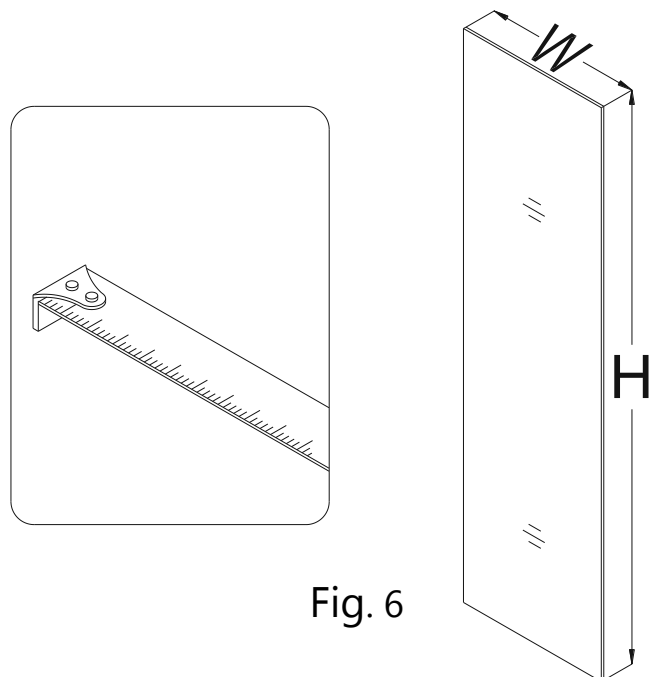


Fig. 6



**NOTE: The top of the Enclosure glass must be level with the Glass door.** By using a level across the top of both the In-line **Stationary panel glass (11)** and door, height differences can be measured. The **Adjustment spacers (28)** are provided for the **Return panel glass (26)** only to compensate for such differences by inserting them into the **U-Channel 2 (bottom profile) (29)**. Please use the correct spacer size that is needed for your situation.

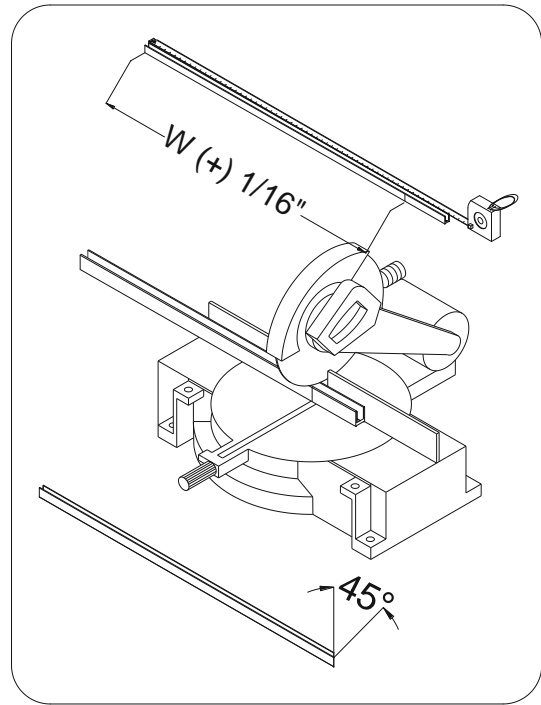


Fig. 7

- Slip the **U-channel 2 (44", bottom profile) (29)** onto the **Stationary glass (11)** and ensure that the straight end of the **U-channel 2** is flush with the vertical glass edge.

Press the **Anti-Water strip (inline panel) (19)** onto the vertical edge of the **Stationary glass** allowing the base of the **strip** to rest on top of the **U-channel**.

Carefully butt the **Stationary glass** and **Return panel glass (26)** together to form a tight corner from bottom to top. The **Stationary glass** will be in front of the **Return panel glass**.

While securely holding the two **glass panels**, attach the **90° Corner Bracket (30)** to the top corner. Ensure that the **90° Corner Bracket** is square and gaskets are aligned properly before tightening the glass holding screws.

Temporarily secure the bottom corner of the **glass panels** with a generous strip of **Painters tape**.

See Fig. 8 & 9 for details.

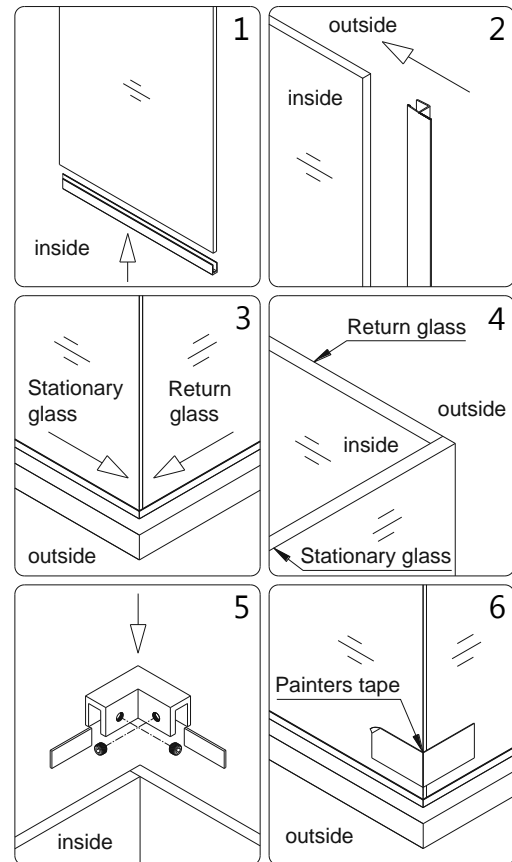


Fig. 8

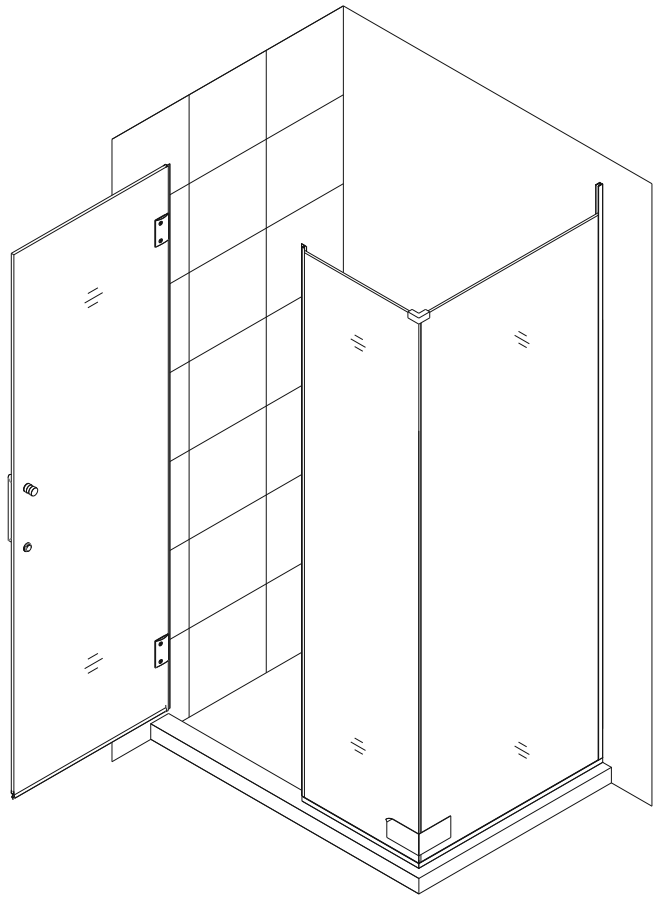


Fig. 9

**NOTE:** The next step involves careful handling of the glass panels that were just temporarily fixed together to determine a custom fit measurement unique to your installation. It is essential that two installers be used along with responsive communication.

- Carefully butt the **Return panel glass (26)** up against the wall vertically according to the **M** value stated in Size Table A on page 5. Intermittently use a level throughout these steps to ensure that this glass enclosure is leveled properly.

While securely holding the **glass panels**, close the **Glass Door** and align the **Stationary glass (11)** to it. Use the door mark on the threshold as a reference to ensure that the **Door** is perpendicular to the wall.

If needed, adjust the position of the **Stationary glass** and **Return panel glass** so that the **Anti-Water strip (inline panel) (19)** makes tight contact to the **Glass Door** from top to bottom. The **U-channel 1 (wall profile) (09)** will remain flush against the wall.

Outline the position of the **glass panels** along the inside bottom edge of all **U-channels** on the threshold and wall.

Mark the **U-channel 1 (wall profile) (09)** at the top horizontal glass edge.

See Fig. 10 for details.

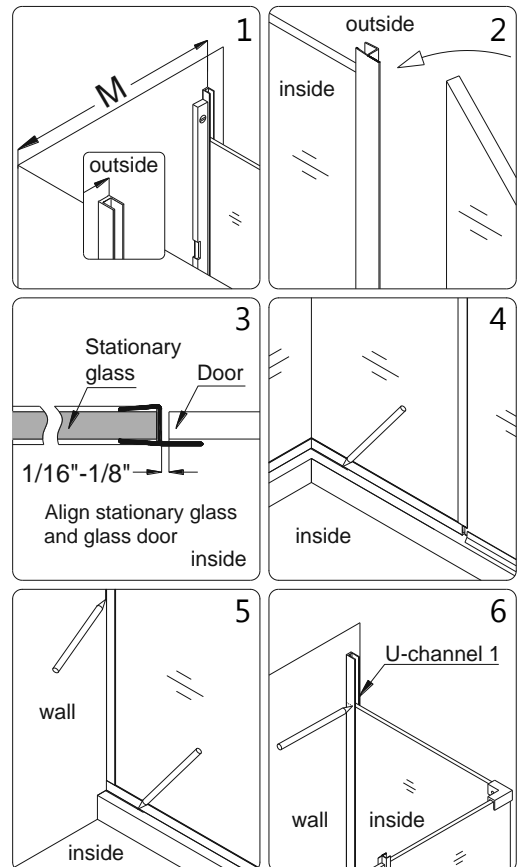


Fig. 10

9. Carefully disassemble the panels for the next steps.

See Fig. 11 for details.

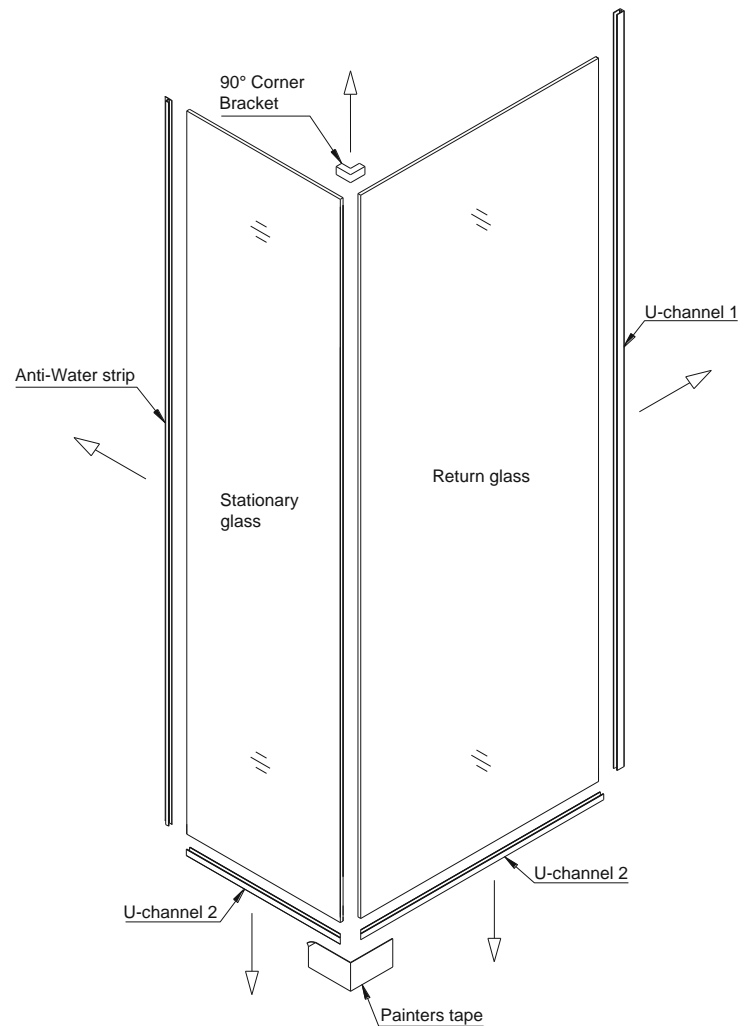


Fig. 11

10. Place the **U-Channel 2 (bottom profile) (29)** for the **Return panel glass (26)** onto the threshold base in line with the inside threshold mark.

Mark the drill holes on the threshold through the predrilled holes in the **U-Channel 2** and drill the holes using **Ø1/8" drill bit**.

Apply waterproof silicone along the bottom surface and around the holes of the **U-Channel 2** and fasten it to the base with the **Countersunk screws ST4.2×40 (23)**.

**NOTE: The surface needs to be clean and free of debris before applying silicone.**

See Fig. 12 & 13 for details.

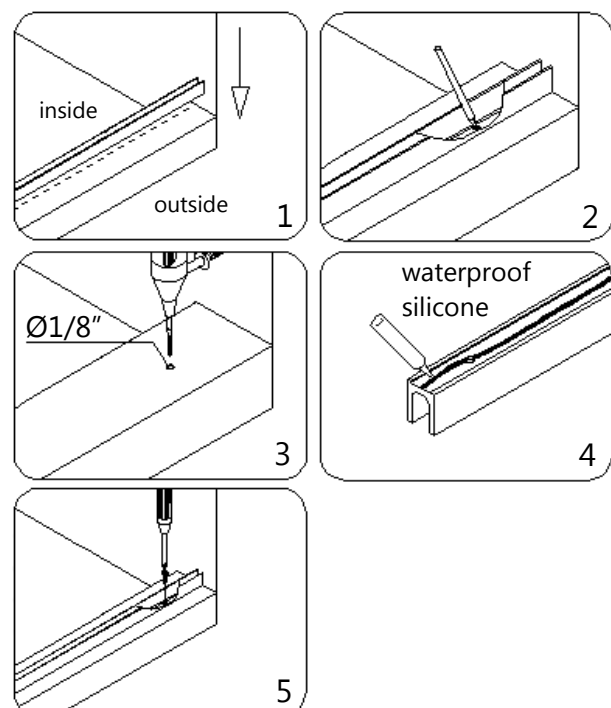


Fig. 12

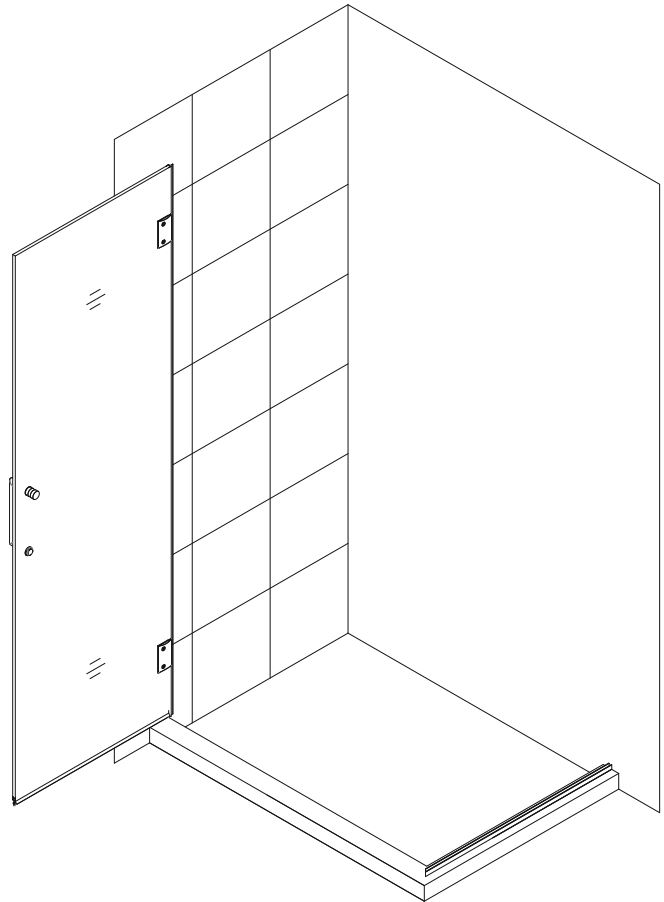


Fig. 13

11. Straight cut the **U-channel 1 (76", wall profile) (09)** at the top mark that was made in step #8.

Place the **U-Channel 1 (wall profile) (09)** on the **U-Channel 2 (bottom profile) (29)** and align vertically with the inside wall mark.

Mark the drill holes on the wall through the predrilled holes in the **U-Channel 1**.

Now drill holes in the wall using **Ø5/16 drill bit** and insert the **Ø5/16" Wall anchors (13)**.

See Fig. 14 for details.

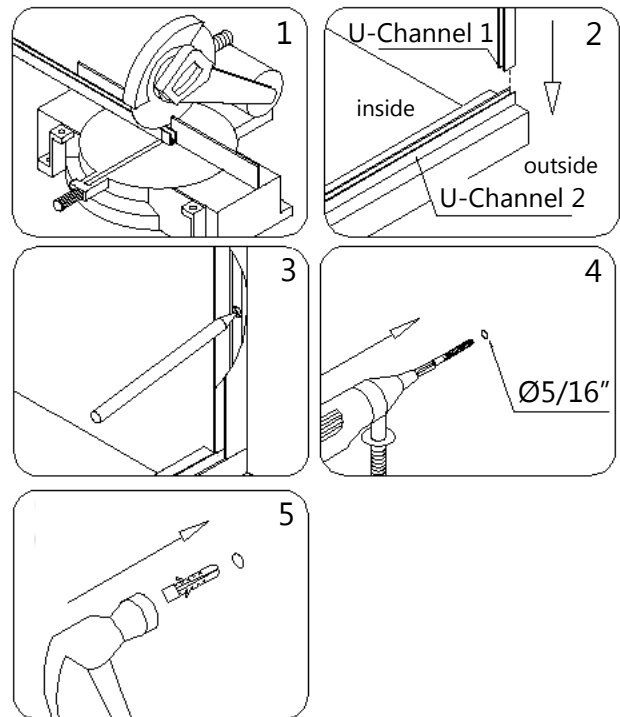


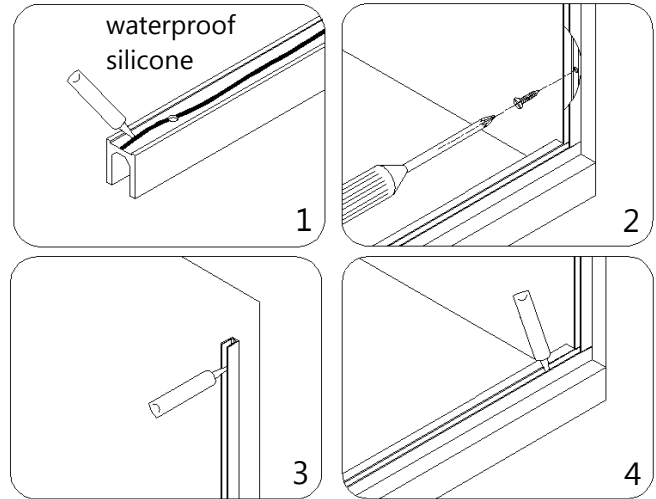
Fig. 14

12. Apply waterproof silicone along the bottom surface and around the holes of the **U-Channel 1 (76", wall profile) (09)**.

Fasten the **U-Channel 1** to the wall with the **Countersunk screw ST4.2x40 (23)**.

Insert the provided 2" pieces of the **Adjustment Spacers (28)** into **U-Channel 2 (bottom profile) (29)** for minor adjustments if necessary.

Apply Waterproof silicone into the groove of both **U-Channels**.



See Fig. 15 & 16 for details

Fig. 15

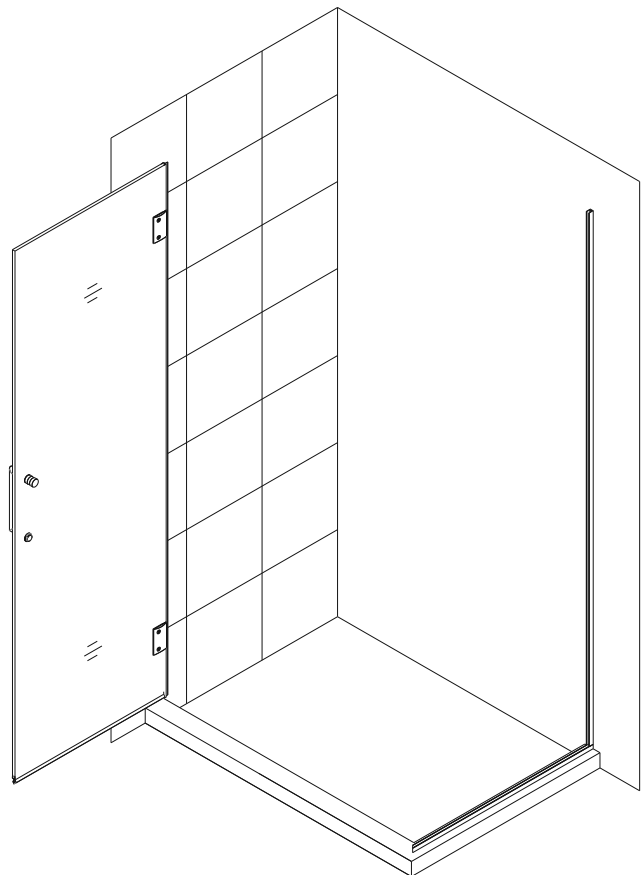


Fig. 16

13. Slide the **Return panel glass (26)** into the groove of both **U-Channels**.

**NOTE:**

If you have difficulty sliding the **Return panel glass** into the **U-Channels**, you can slightly tap on the **Return panel glass** with a rubber mallet and a piece of wood.

See fig. 17 & 18 for details.

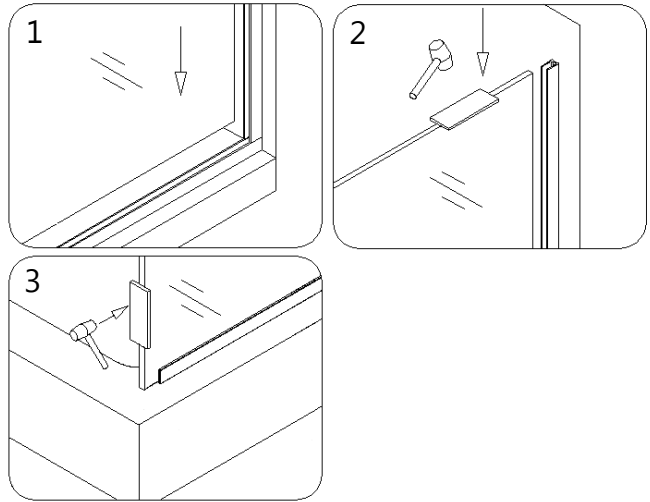
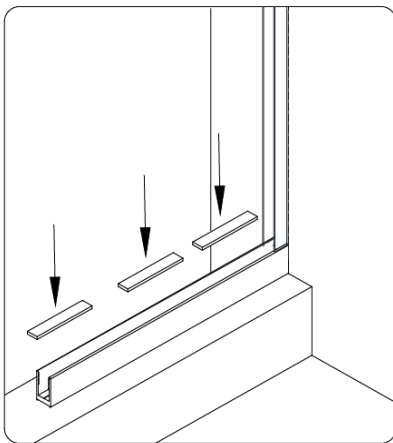


Fig. 17



Use Adjustment spacers (#28)  
as necessary to level your glass

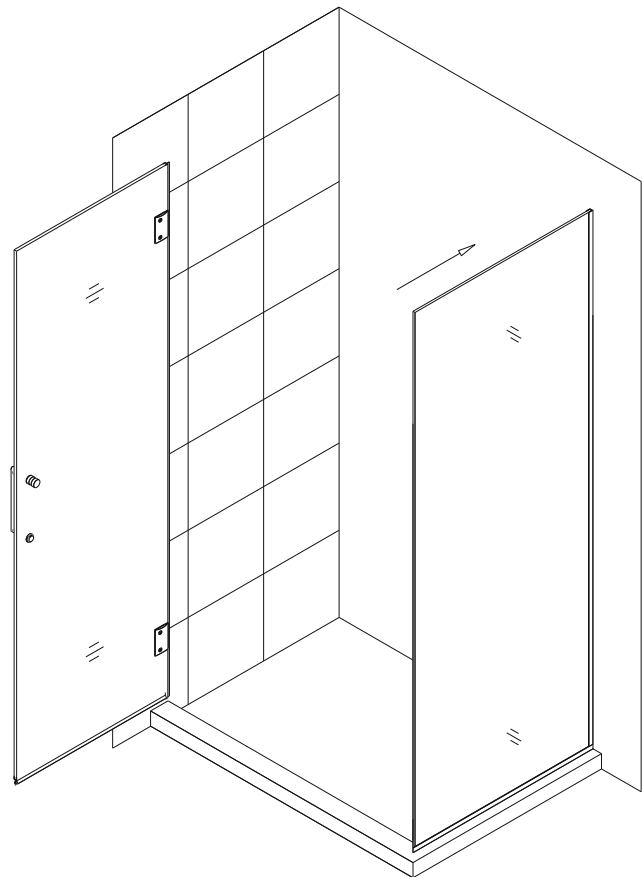


Fig. 18

14. Place the **U-Channel 2 (bottom profile) (29)** for the **Stationary glass (11)** onto the threshold base in line with the inside threshold mark and flush with 45° corner cut.

Mark the drill holes on the threshold through the predrilled holes in the **U-Channel 2** and drill the holes using **Ø1/8" drill bit**.

Apply waterproof silicone along the bottom surface and around the holes of the **U-Channel 2** and fasten it to the base with the **Countersunk screws ST4.2×40 (23)**.

**NOTE: The surface needs to be clean and free of debris before applying silicone.**

See Fig. 19 & 20 for details.

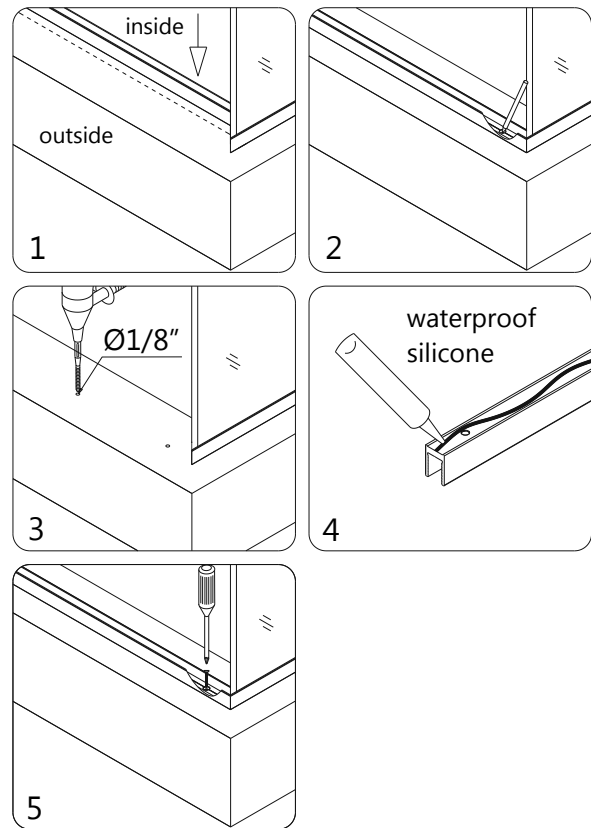


Fig. 19

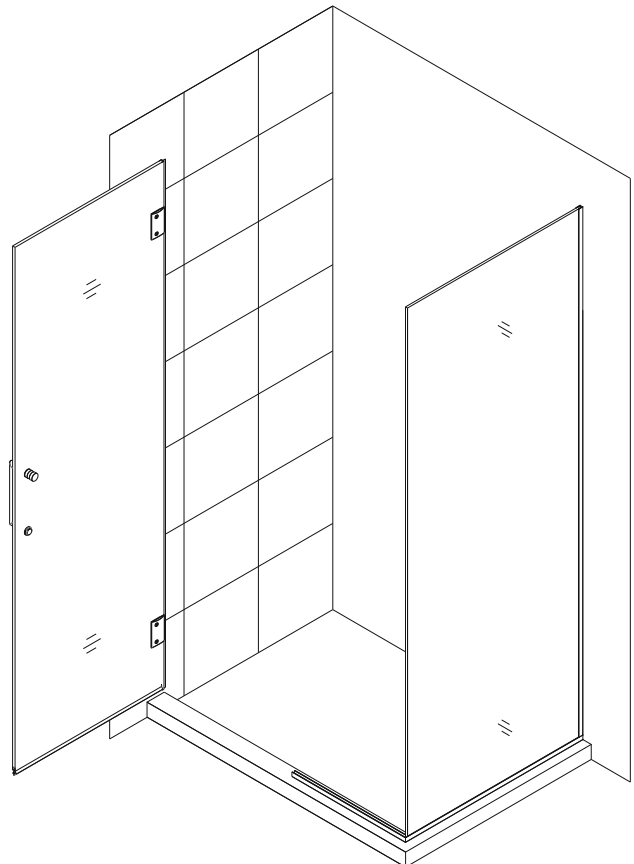


Fig. 20

15. Apply Waterproof silicone into the groove of the **U-Channel 2 (bottom profile) (29)** and sparingly along the vertical edge of the **Return panel glass (26)**.

See Fig. 21 & 22 for details.

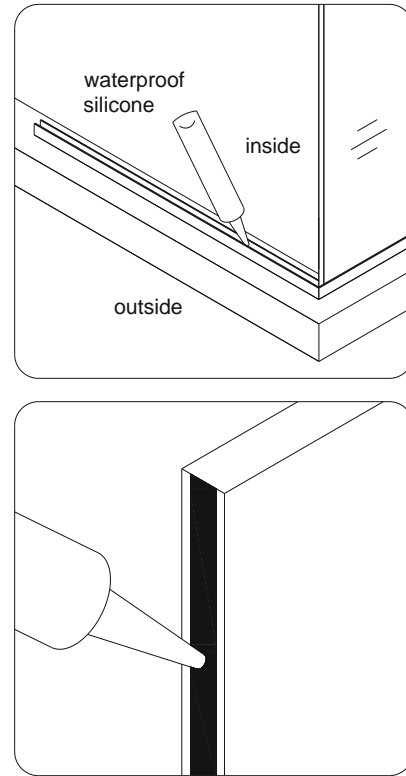


Fig. 21

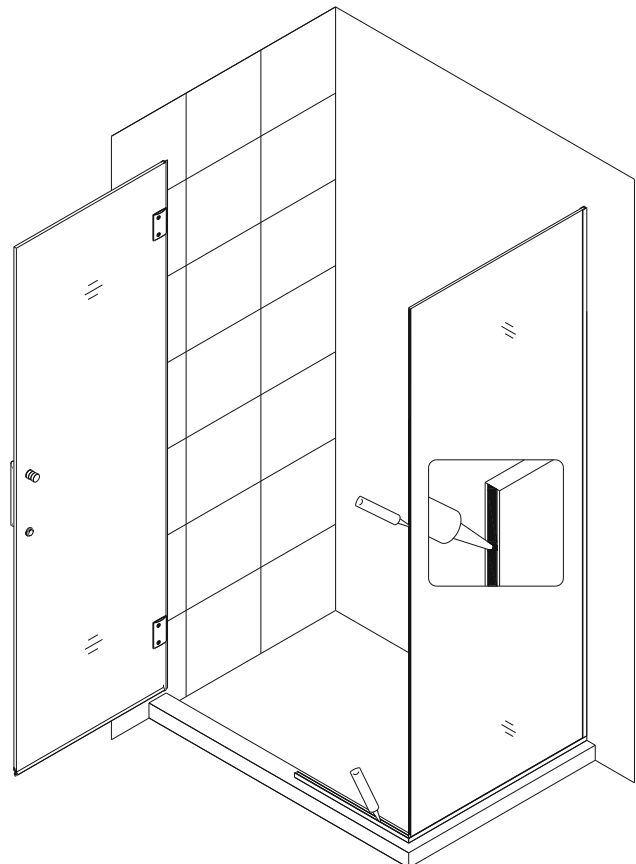


Fig. 22



16. Slide the **Stationary glass (11)** into the groove of the **U-Channel**. Make sure the vertical edge of the **Stationary glass** is flush with outer face of the **Return panel glass (26)** at the corner.

Apply a bead of silicone on the open end of the **U-Channel**, and its connection.

**NOTE:**

If you have difficulty sliding the **Stationary glass** into the **U-Channel**, you can slightly tap on the **Stationary glass** with a rubber mallet and a piece of wood.

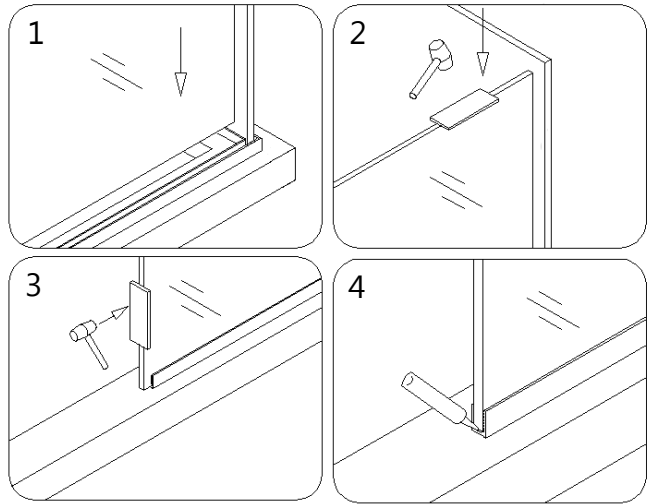


Fig. 23

See fig. 23 & 24 for details.

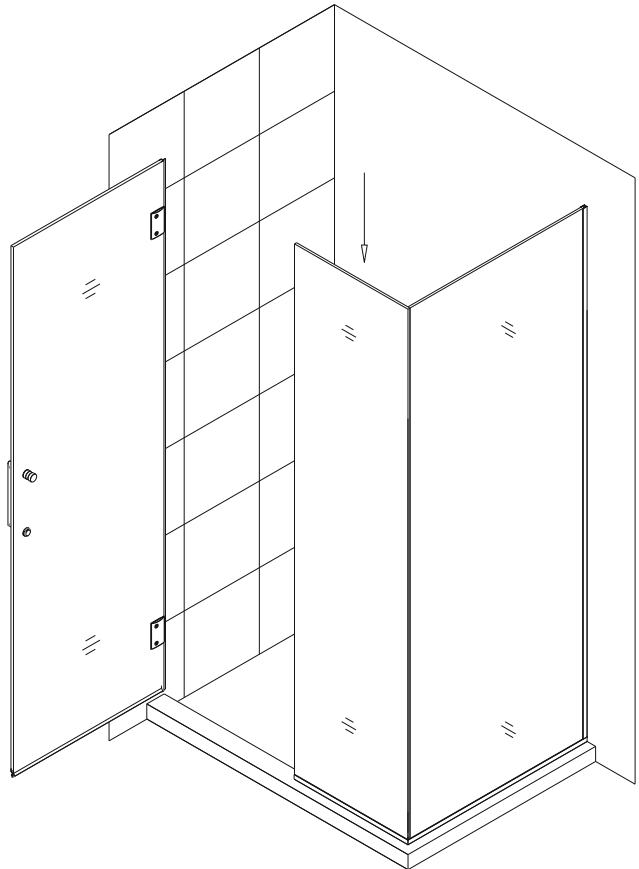


Fig. 24

17. Attach the **90° Corner Bracket (30)** to the top corner of both **glass panels**. Ensure that the **90° Corner Bracket** is square and gaskets are aligned properly before tightening the glass holding screws. Temporarily secure the corner of the **glass panels** with several generous strips of **Painters tape** to keep the corner tight until the silicone cures.

See fig. 25 & 26 for details.

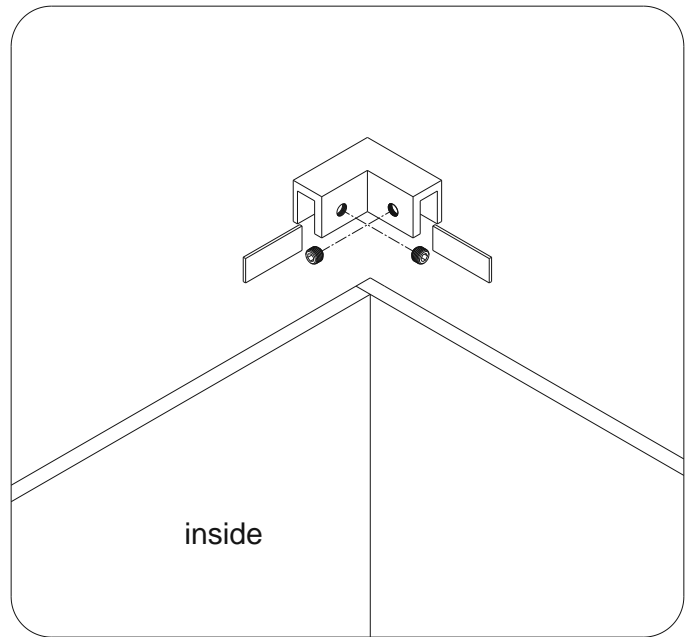


Fig. 25

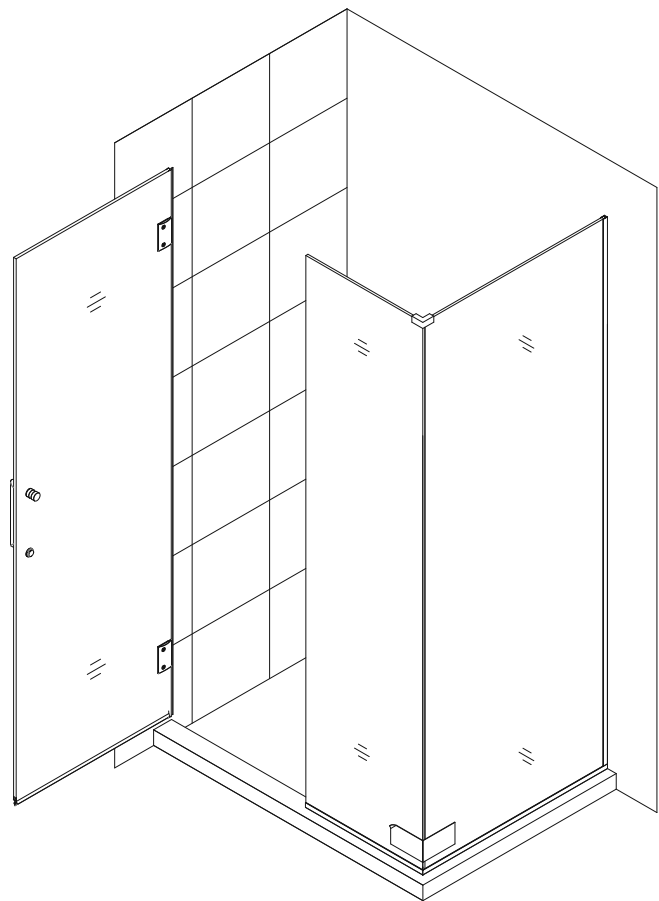


Fig. 26

18. Apply waterproof silicone along the connection of all **U-Channels** to the wall and threshold on the inside of shower. Carefully apply an even bead of silicone down the inside corner of the **glass panels**.

See Fig. 27 & 28 for details.

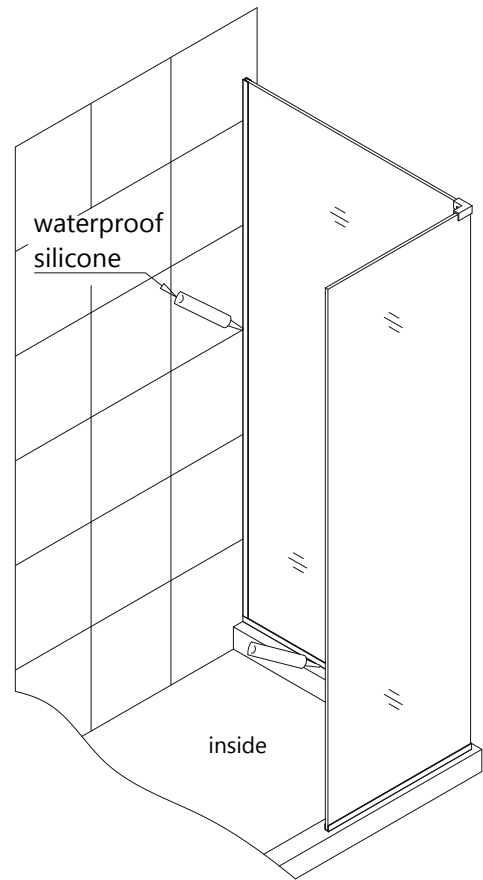


Fig. 27

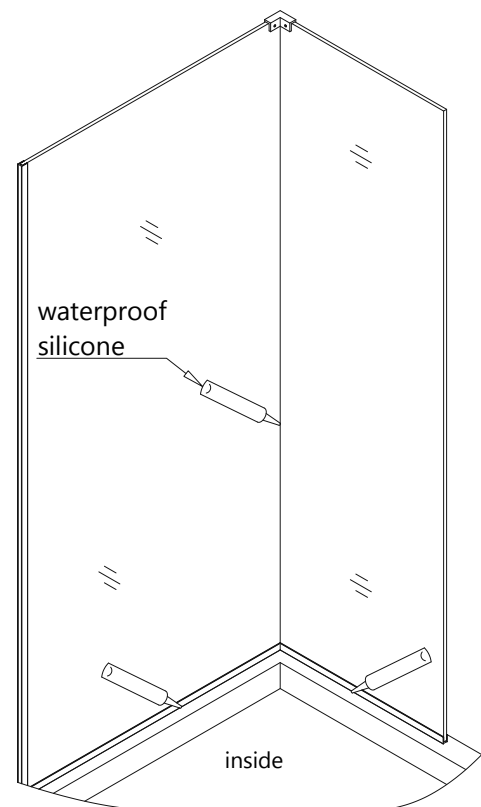


Fig. 28

19. Notch the **Anti-Water strip (inline panel)** (19) 1" at the base to fit around bottom **U-channel**. Press the **Anti-Water strip** onto the vertical edge of the **Stationary glass (11)**.

See Fig. 29 for details.

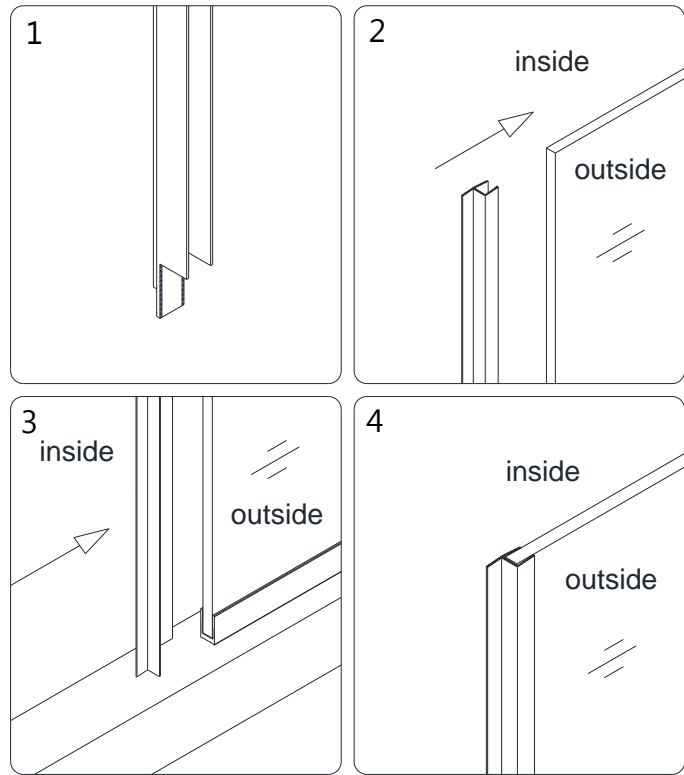


Fig. 29

## **Product Maintenance**

**BASES and BACKWALLS:** To ensure long lasting life for your acrylic back walls: wipe them off after each use with a soft cloth. To clean the acrylic back walls use non-abrasive sprays or cream based cleaners. Avoid the use of aerosol spray cleaners. Never use abrasive cleansers, metal brushes or scrapers that could scratch or dull the surface.

**GLASS:** To ensure long lasting life for your glass shower products: wipe them off after each use with a soft cloth. Rinse and wipe off the glass using either a soft cloth or a squeegee to prevent soap buildup and water spots (Hard water can etch the surface of the glass over time if left to dry). To prevent scratching the surface: never use abrasive cleaners or cleaning products that contain scouring agents. Never use bristle brushes or abrasive sponges that may scratch the surface.

**HARDWARE:** To ensure a long lasting finish: wipe off the metal parts after each use with a soft cloth. Do not use abrasive cleaners or cleaning products containing ammonia, bleach or acid. If accidentally used, rinse the surface as soon as possible to prevent damage to the finish (peeling or corrosion). After cleaning the polished finishes, rinse thoroughly and wipe dry with soft cloth. Clean stainless steel surfaces at least once a week. When applying stainless steel cleaner or polish to stainless steel hardware, work with (not across) the grain. Never use an abrasive sponge or cloth, steel wool or wired brush as these may permanently scratch the surfaces.

## **Style "I":**

## **Half Etched Glass Installation**

**NOTE: This model features the half etched glass option. Hinged Left installation shown. To install for hinged Right, flip the door to the proper handing.**

**-The textured surface of the return panel glass, stationary glass and glass door should face out.**

See Fig. 30 for details.

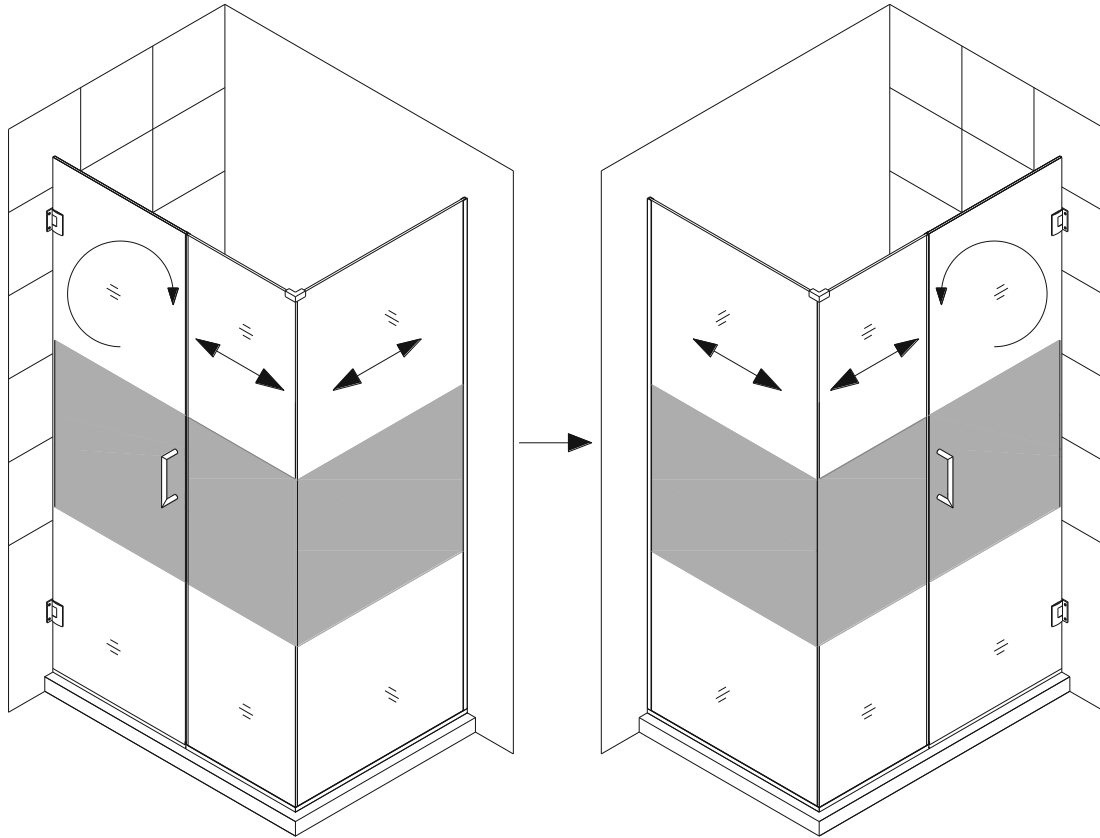


Fig. 30



---

TEL: [866-731-2244](tel:866-731-2244)

FAX: [866-857-3638](tel:866-857-3638)

[DREAMLINE.COM](http://DREAMLINE.COM)

For more information on [DreamLine® Shower Doors](#) and [Enclosures](#) please visit [DreamLine.com](http://DreamLine.com)