

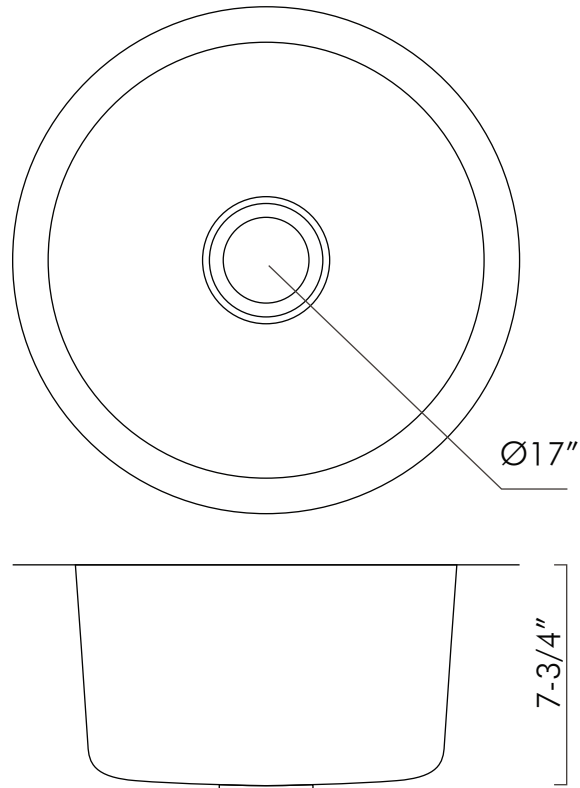


DAX-415



UNDERMOUNT KITCHEN SINKS **SERIES**





FEATURES

- Pressed sink
- Undermount
- 304 Stainless Steel
- 20 gauge
- Brushed Stainless Steel
- Size W Ø 17" x D 7-3/4"
- Standard 3-1/2" drain opening
- Undercoated and sound pads
- Mounting clips and cutting template

ACCESSORIES

- Stainless steel basket strainer not included (available)
- Stainless steel standard strainer not included (available)
- Dish rack not included (available)
- Grey silicone dish rack not included (available)





KITCHEN SINK DAX-415

MODEL	DAX-415
INNER BASIN WIDTH (in)	12-1/2"
INNER BASIN HEIGHT (in)	11"
HEIGHT	13"
DEPTH	7"
WIDTH	14-1/2"
BOTTOM GRIDS INCLUDED	No
BASIN SPLIT	No
BASKET STRAINER INCLUDED	No
COLANDER INCLUDED	No
DRAIN CONNECTION	3-1/2"
DRAIN PLACEMENT	Center
FARMHOUSE	No
FAUCET HOLES	No
GAUGE	20
INSTALLATION TYPE	Undermount
MATERIAL	304 Stainless Steel
MINIMUM CABINET SIZE	X
MOUNTING HARDWARE INCLUDED	Yes
NUMBER OF BASINS	1
SINK SHAPE	Circle
SOUND DAMPENING	Yes
STAINLESS STEEL GRADE	304
UPC APPROVED	Yes
SINK FINISH TYPE	Brushed

For parts or sale requirements please contact our customer service department:

 CS@daxib.com

 1 888 685 8236

