



9300125

JOLENE KD
FABRIC ACCENT
ARM CHAIR

ASSEMBLY
INSTRUCTIONS

HARDWARE

Ax12



M6X22MM

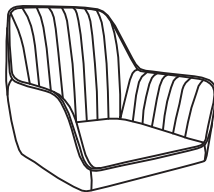
Bx1



M6

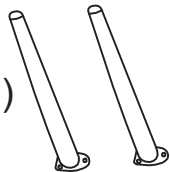
PARTS

1x1



2X2

Short Legs
(Front Legs)



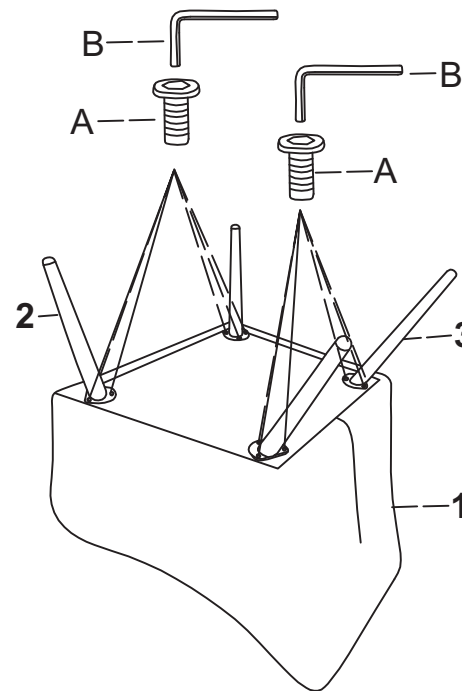
3X2

Long Legs
(Rear Legs)



The more vertical and short legs are front legs and more slanted and long legs are rear legs. Make sure to screw the straight part of seat to front legs and the curved part of seat to the rear legs.

(1)



(2)

