
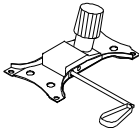
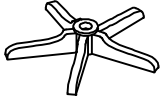
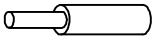
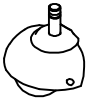
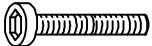


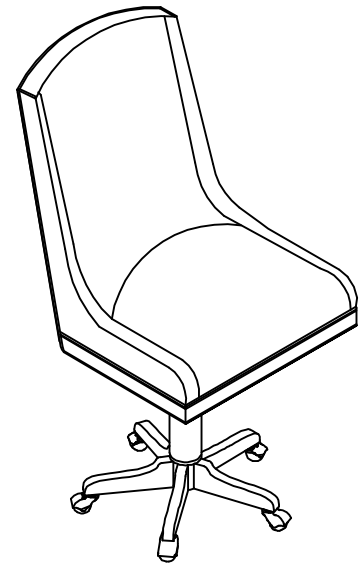


Components and Hardware List


Seat and Back Assembly	Seat Control	Leg Frame	Pneumatic Cylinder
 (A) 1 pc.	 (B) 1 pc.	 (C) 1 pc.	 (D) 1 pc.
Caster	M5/16" x 1" Allen Head Bolt	5/16" x 12*3mm Spring Washer	5/16" x 19*2mm Flat Washer
 (E) 5 pcs.	 (F) 4 pcs.	 (G) 4 pcs.	 (H) 4 pcs.



#12138

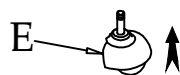
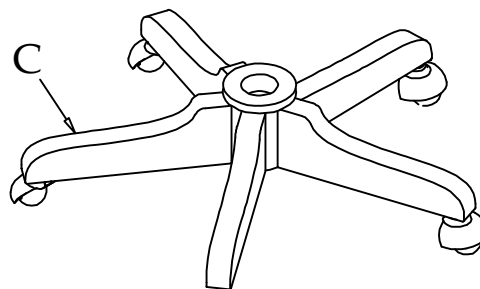
Uph Desk Chair 1IN

5mm Allen Key

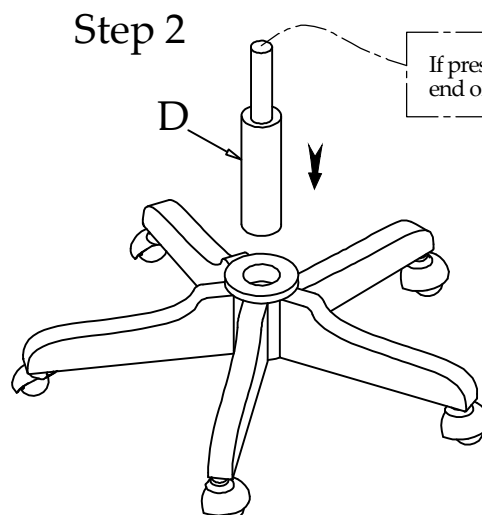


(I) 1 pc.

Be sure to check all packing material carefully for small parts, which may have come loose inside the carton during shipment. To prevent scratches or damage, assemble the chair on a soft surface such as a blanket or carpet.

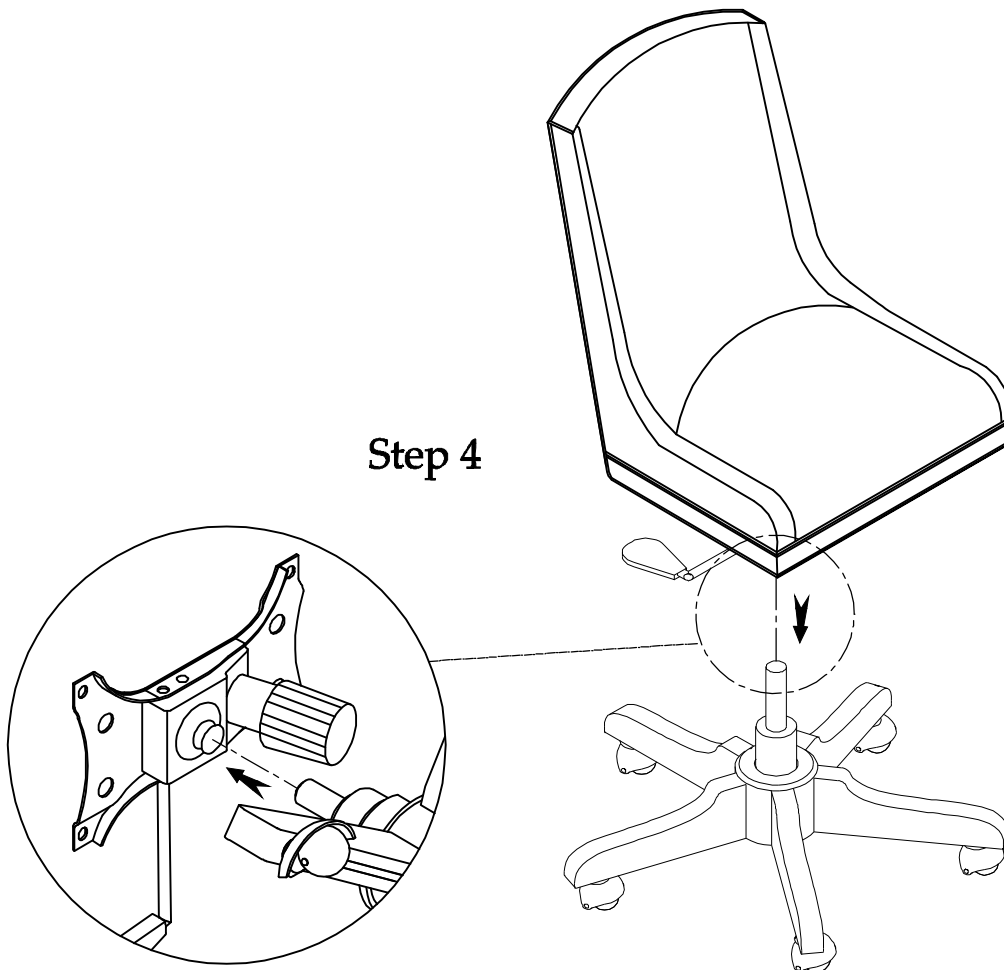
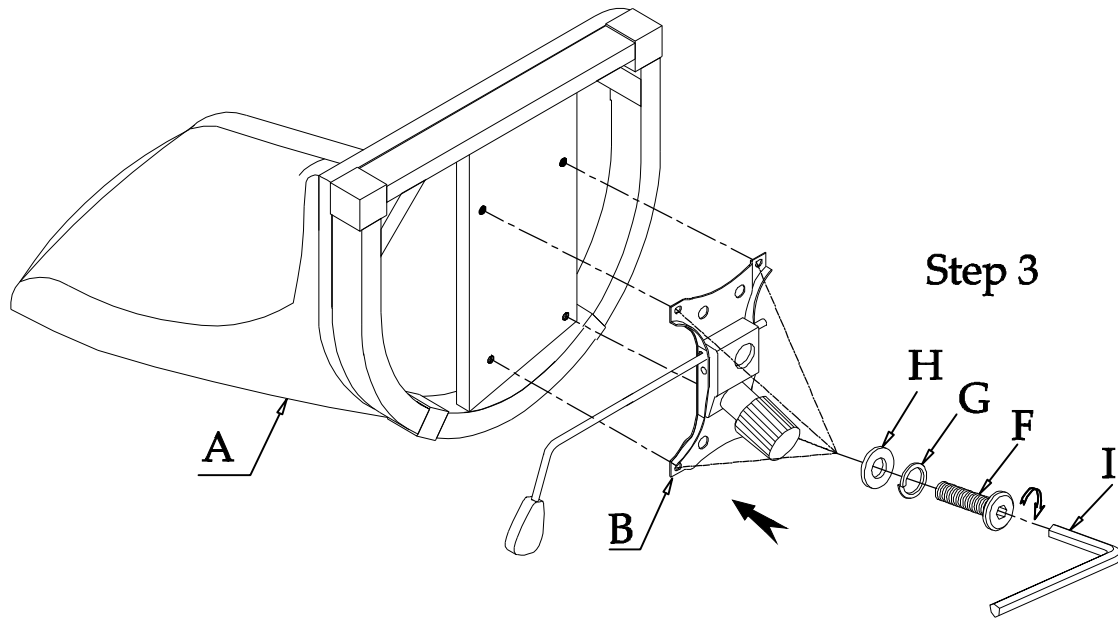


Step 1



Step 2

If present, remove the plastic cover from the top end of the cylinder before assembling to seat



Note: To prevent possible damage to some type of flooring, never roll casters on unprotected hardwood or vinyl flooring. The lift mechanism is in a locked position for shipping. To unlock, pull straight out on the handle, and then the lift cylinder can be activated by lifting the handle.