



Welland

Floating shelf installation

TOOLS REQUIRED



Phillips screwdriver



Power drill



5/16 in. drill bit



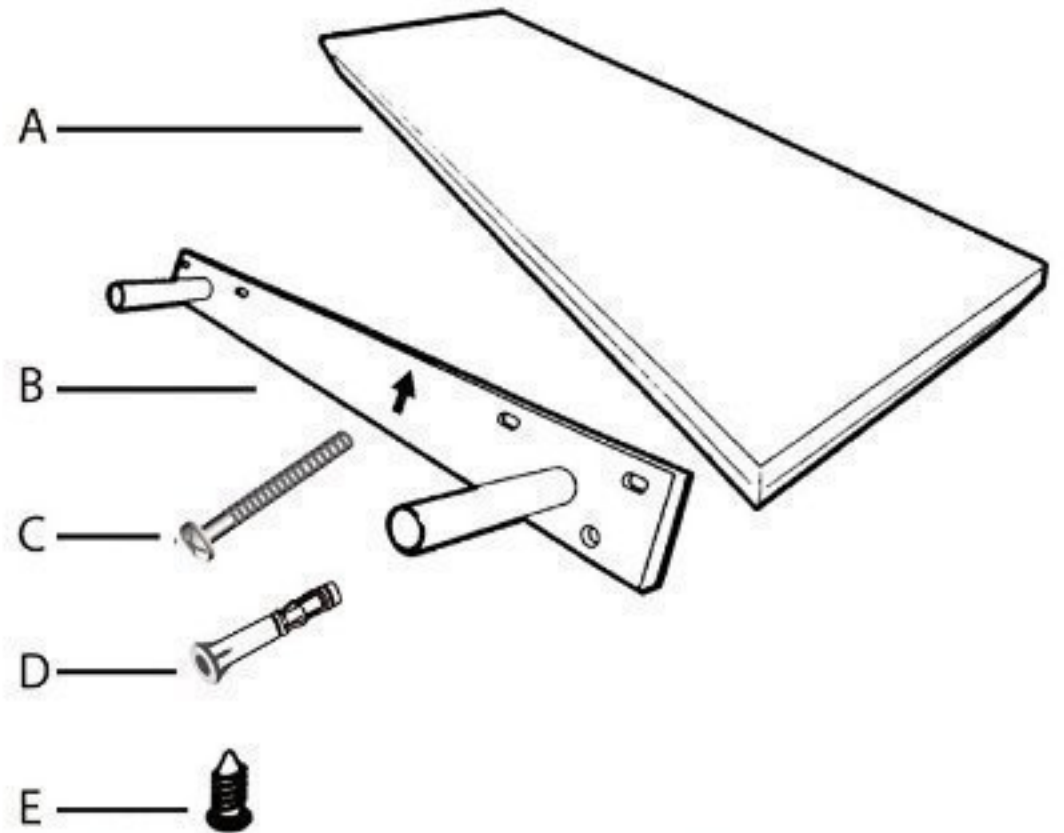
Level



Pencil

Shelf Length	18"	24"	36"
Load Capacity	15 lbs	25 lbs	30 lbs

PACKAGE CONTENTS



Part	Description	Quantity
A	Shelf	1
B	Backplate	1
C	Screw	6
D	Drywall anchor	6
E	Set screw	2

1 PREPARING FOR INSTALLATION

- While holding the backplate (B) against the wall, use a level to ensure that the backplate (B) is level.
- Use a pencil to mark the backplate (B) holes on the wall.
- Ensure that arrow located on backplate (B) is pointing up.

2 INSTALLING THE BACKPLATE

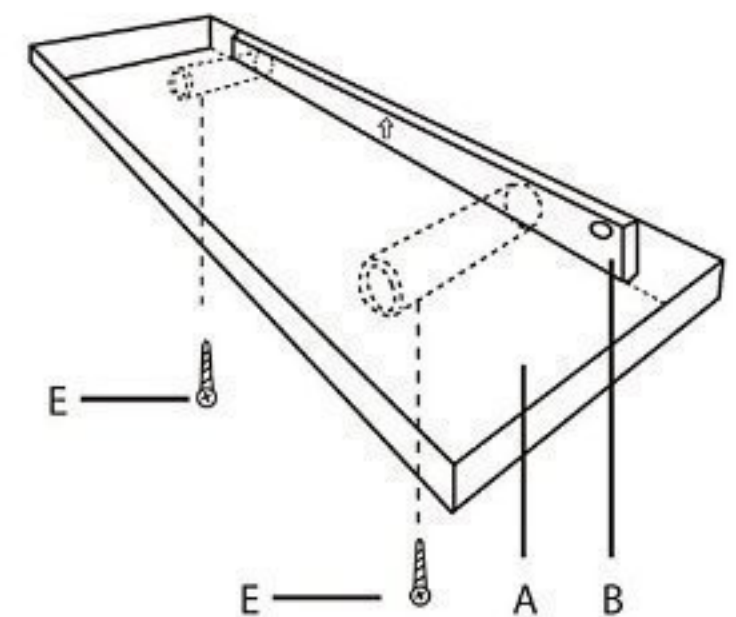
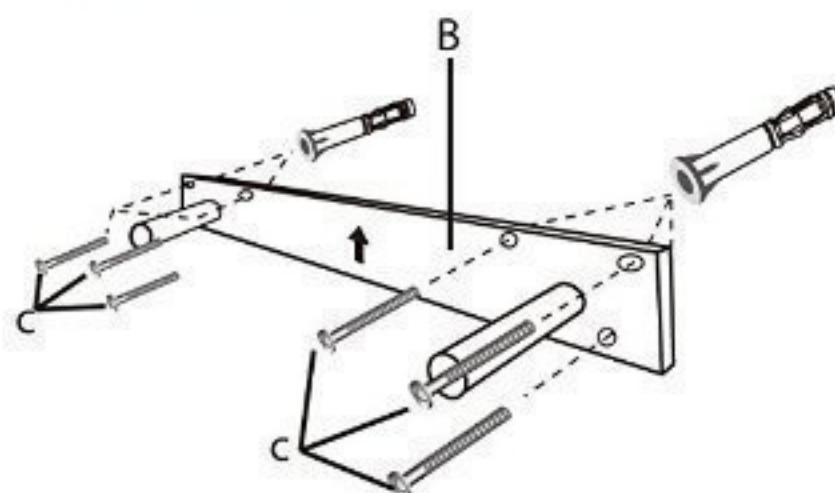
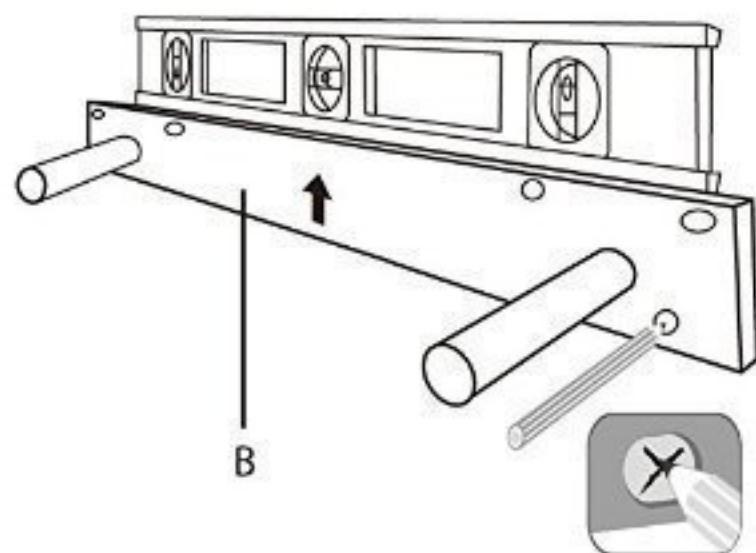


IMPORTANT :If you are drilling into a stud, it is NOT necessary to pre-drill the hole!

- Using a power drill and a 5/16 in. drill bit, drill holes into the wall at the pencil marks.
- Insert the drywall anchors (D) into the holes and lightly tap anchors with a hammer until they are securely in place flush with the face of the wall.
- Use a phillips screwdriver and the screws (C) to secure the backplate (B) to the wall.

3 INSTALLING THE SHELF

- Slide the shelf (A) onto the backplate (B).
- Align the holes on the bottom of the shelf (A) with the holes on the bottom of the tubes on the backplate (B).
- Use the set screws (E) to secure the shelf (A) to the backplate (B) by inserting the set screws (E) through the bottom of the shelf (A) and into the backplate tubes.



Max shelf load capacity is achieved by mounting screws into studs or cement walls.

IF MOUNTING TO GYPSUM ROCK (CAVITY WALL), IT IS ADVISABLE TO MOUNT SCREWS TO A STUD OR STUDS WHERE POSSIBLE. HOWEVER DO NOT LEAVE EITHER END OF BACKPLATE UNSUPPORTED BY AT LEAST ONE ANCHOR.

FOR HOLLOW WALL MOUNTING YOU CAN USE ANY OF THE HOLES IN THE BACKPLATE TO SUIT WHERE YOU REQUIRE THE MOUNTING SCREWS POSITIONED.

Note: Pipe bracket has a built in safety design feature. Pipes have a slight upward angle to stop floating shelf droop when shelf is loaded. Weight ratings are for E.D.L. (evenly distributed load)

For assistance with installation or missing parts, please call 714-528-9900

DISCLAIMER: Install Welland shelf and shelving units according to instructions provided. Welland LLC and its related companies are not responsible for injury or damage resulting from incorrect installation or use. Welland products are for use only as shelves and shelving units and are not intended for any other purposes.