

Features

- Metal construction.
- Flexible connections for easy installation.
- Brass valve bodies.
- Pop-up drain with lift rod and tailpiece.
- Vandal-resistant aerator.
- Red and blue index rings.
- Quarter-turn washerless ceramic disc valves.
- 5-1/8" (13 cm) spout length
- 2.2 gal/min (8.3 l/min) maximum flow rate.



ADA CSA B651

Codes/Standards

ASME A112.18.1/CSA B125.1
NSF/ANSI 61
NSF/ANSI 372
All applicable US Federal and State material regulations
DOE - Energy Policy Act 1992
ADA
ICC/ANSI A117.1
CSA B651

KOHLER® Faucet Lifetime Limited Warranty

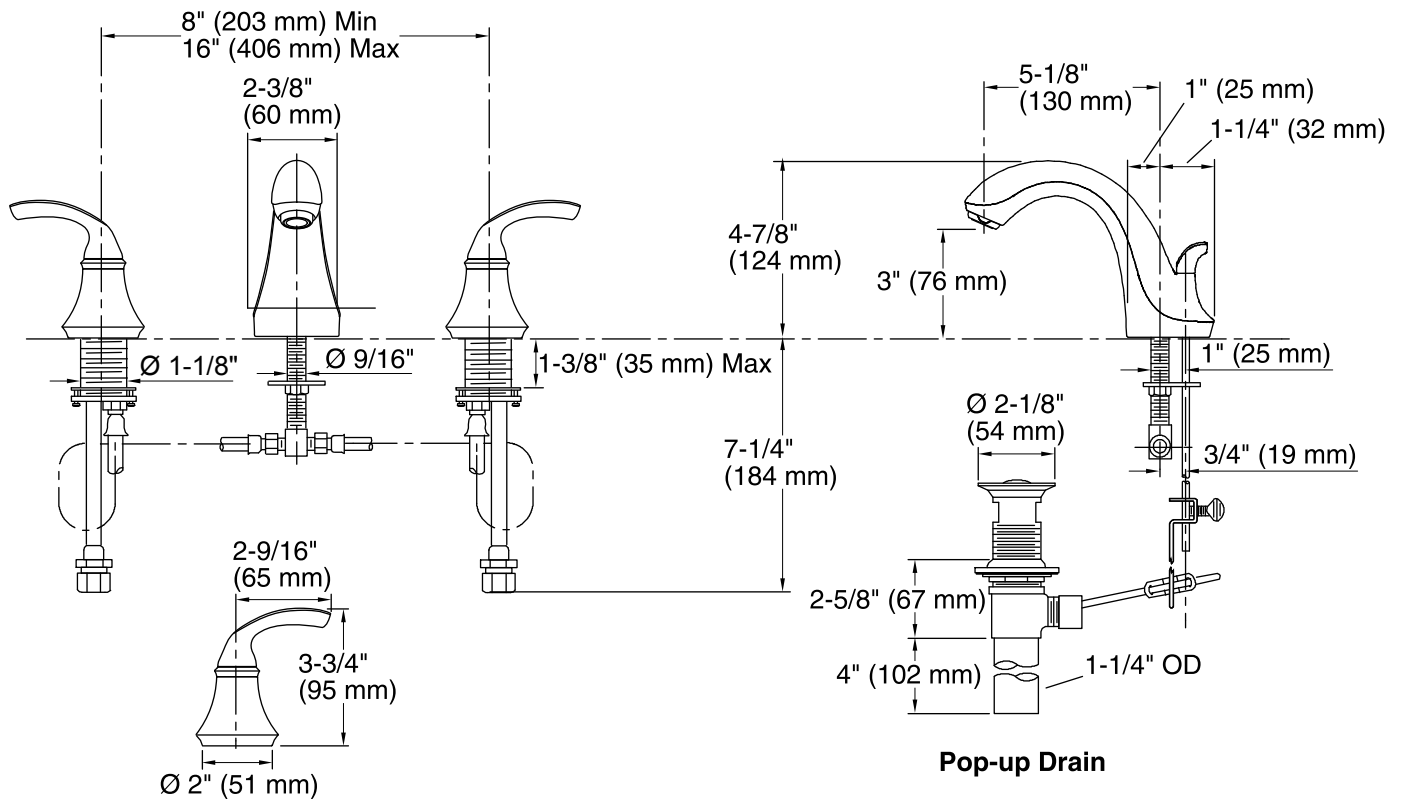
See website for detailed warranty information.

Available Colors/Finishes

Color tiles intended for reference only.

Color Code Description

■ CP Polished Chrome



Technical Information

All product dimensions are nominal.

Faucet:

Flow rate: 2.2 gal/min (8.3 l/min)

Drain included: Yes

Drain tailpiece included: Yes

Spout:

Spout reach: 5-1/8" (130 mm)

Handle clearance: 2-9/16" (65 mm)

Notes

Install this product according to the installation guide.

ADA, CSA B651 compliant when installed to the specific requirements of these regulations.