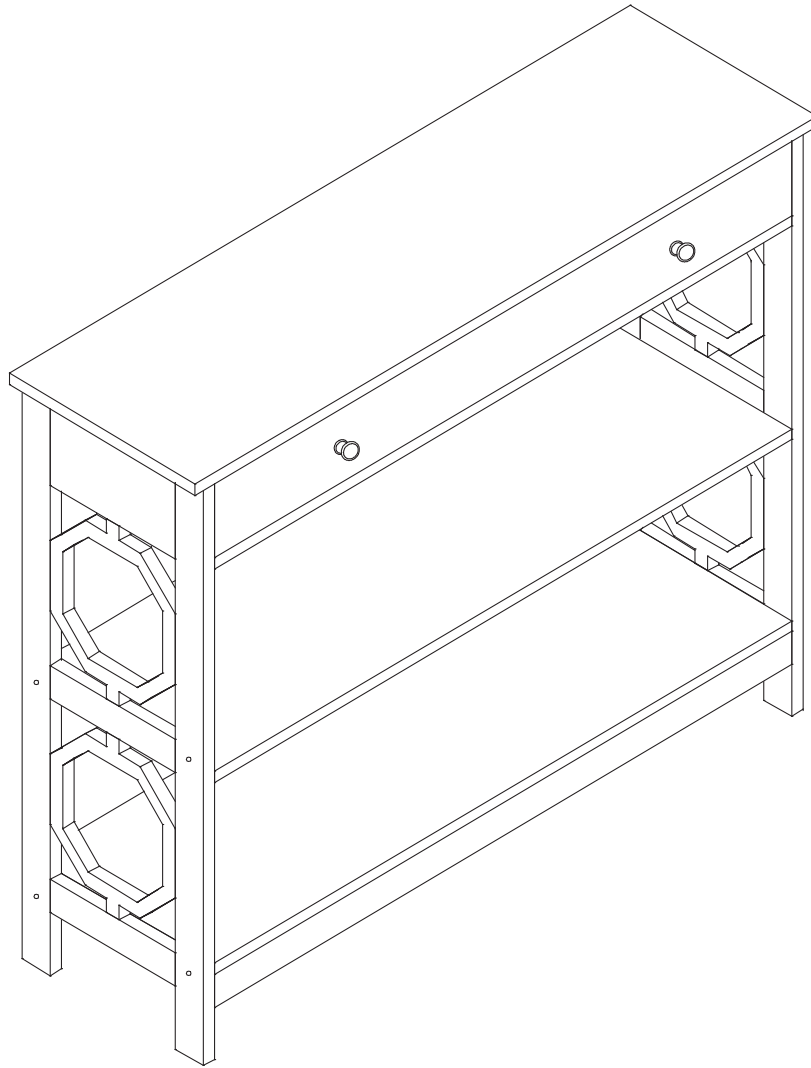


CONVENIENCE CONCEPTS

Omega 1 Drawer Console Table 203289



Assembly Instructions

We have designed our furniture with you, the customer in mind. Our clear, easy to follow step by step instructions will guide you through the project from start to finish.

Feel confident that this will be a fun and rewarding project. The final product will be a quality piece of furniture that will go together smoothly and give years of enjoyment.

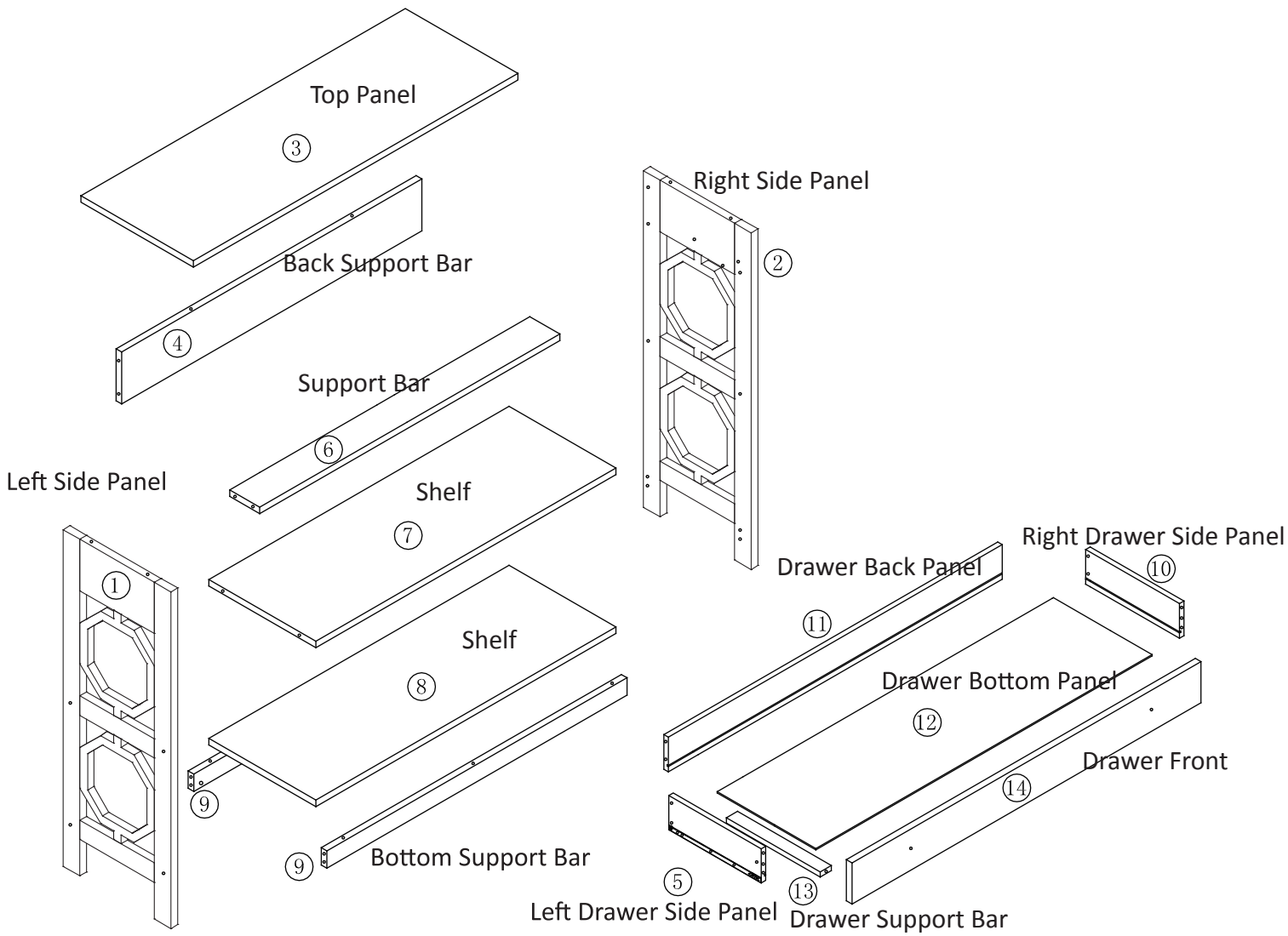






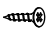










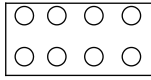
Please do not return to the store

Broken or missing Hardware?

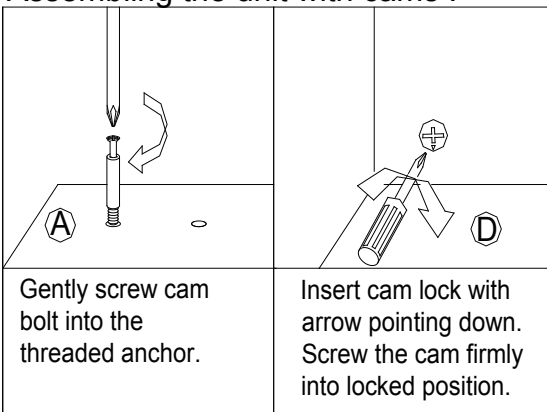
Need help with Assembly?

If you have any questions just call 1-800-468-6447 or email us at parts@convenience-concepts.com



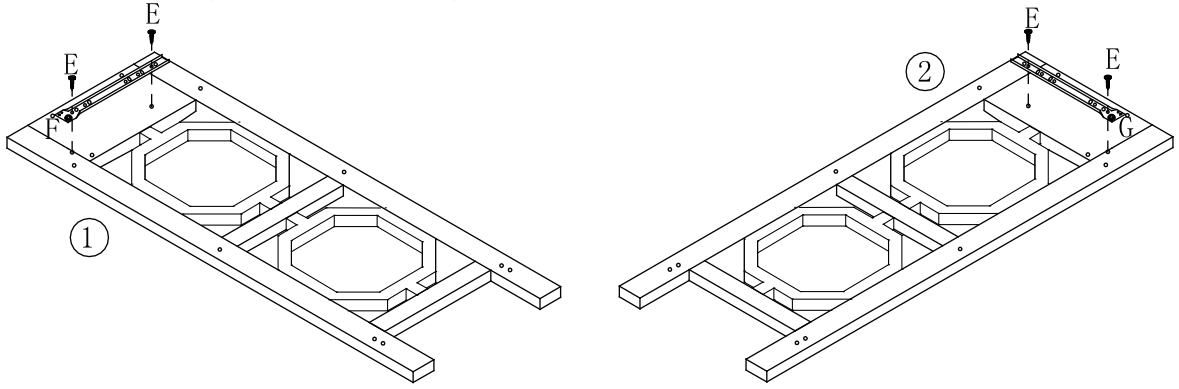
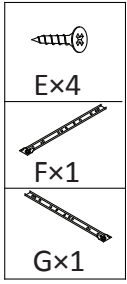
- 
A 17pcs
 Cam Bolt
- 
B 17pcs
 Cam Lock
- 
C 4pcs
 Wooden Dowel
- 
D 13pcs
 Screw
- 
E 4pcs
 Small Screw
3*12
- 
F 1pc
 Left Glider
- 
G 1pc
 Right Glider
- 
H 2pcs
 Anchor
- 
I 2pcs
 Anti-tip Bracket
- 
J 4pcs
 Skinny Wooden Dowel
- 
K 2pcs
 Handle Screw
- 
L 8pcs
 Bolt
- 
M 8pcs
 Lock Nut
- 
N 2pcs
 Handle
- 
O 2pcs
 Small Screw
3*15
- 
P 8pcs
 Stickers

Assembling the unit with cams .



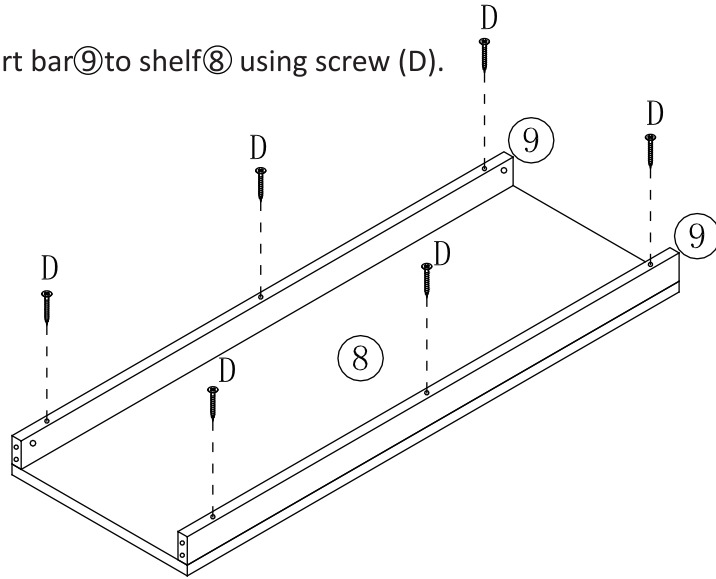
Step 1

1. Attach Glider (F) to left side panel using screw (E).
2. Attach Glider (G) to right side panel using screw (E).



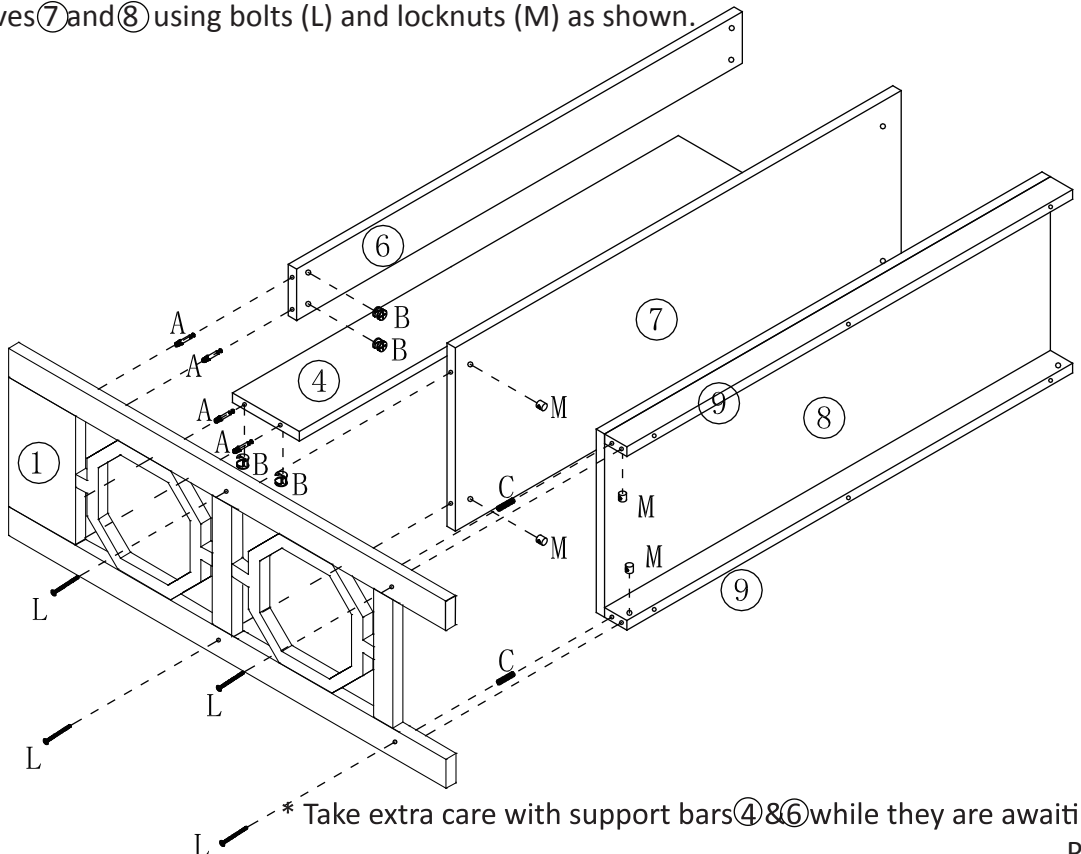
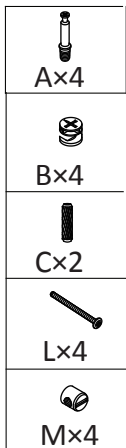
Step 2

1. Attach bottom support bar 9 to shelf 8 using screw (D).



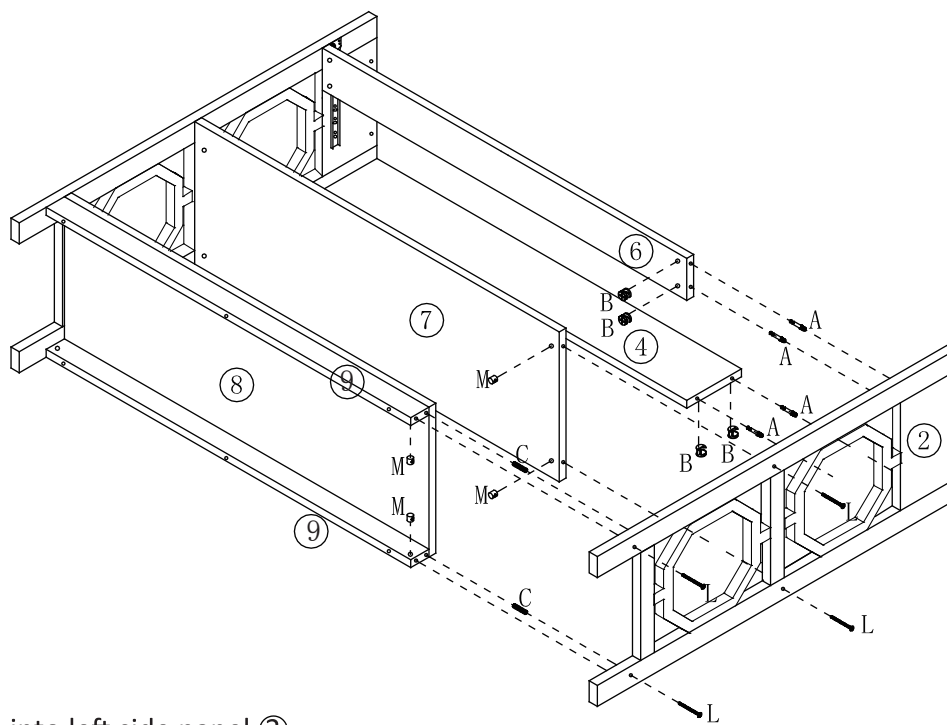
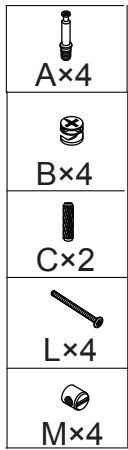
Step 3

1. Screw com bolts (A) into left side panel 1.
2. Connect back support bar 4 and support bar 6 to left side panel 1 using com bolts (A) and camlocks (B).
3. Connect shelves 7 and 8 using bolts (L) and locknuts (M) as shown.



* Take extra care with support bars 4 & 6 while they are awaiting step 4.

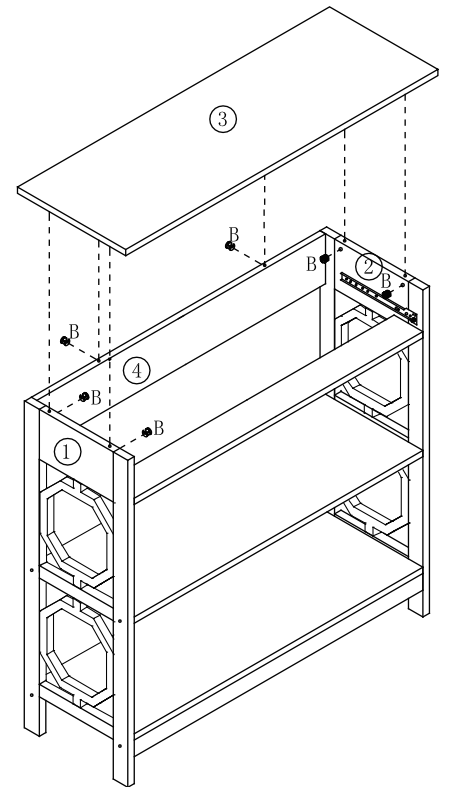
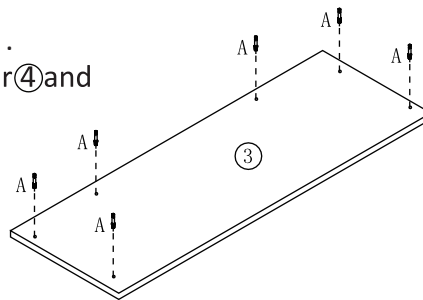
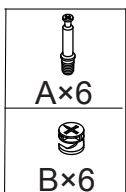
Step 4



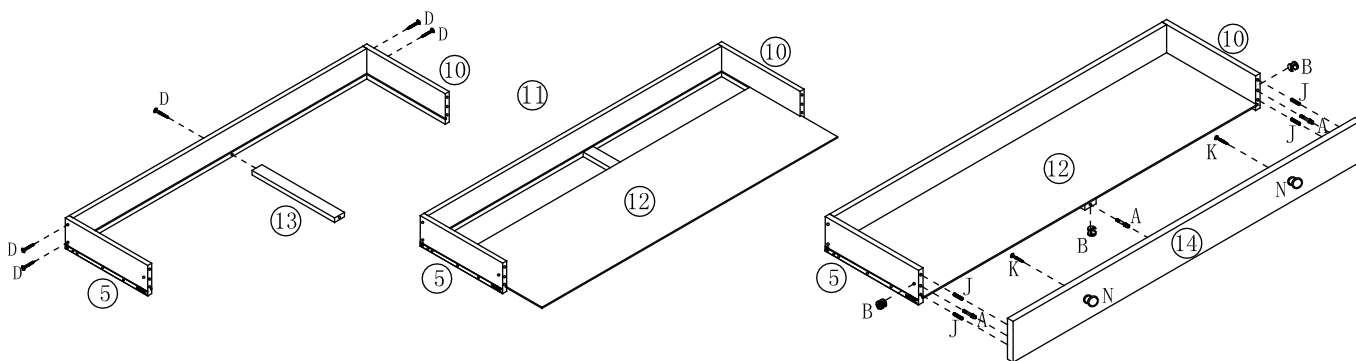
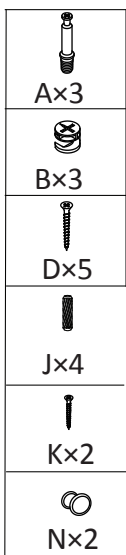
1. Screw com bolts (A) into left side panel ② .
2. Connect right side panel ② to unit using combolts (A), comlocks (B), bolts (L) and lock nuts (M).

Step 5

1. Screw com bolts (A) into top panel ③ .
2. Attach top panel ③ to back support bar ④ and side panels ④ & ② using com locks (B).



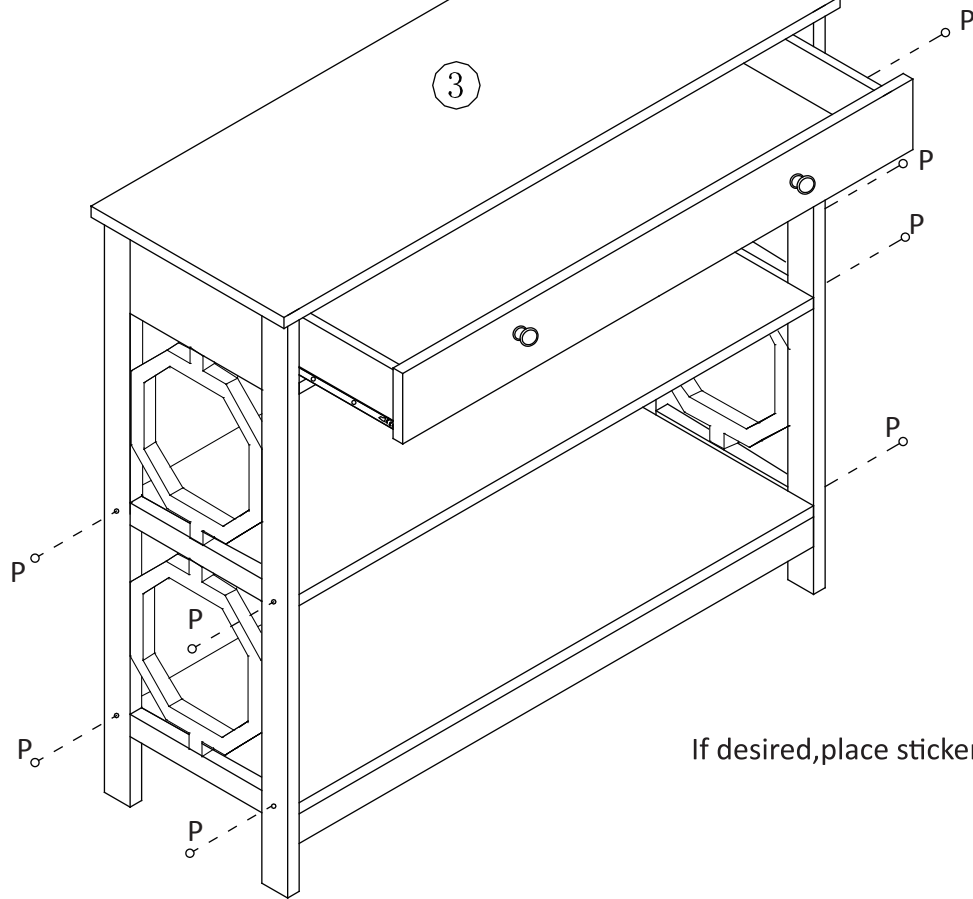
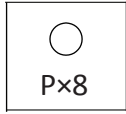
Step 6



1. Attach drawer side panels ⑤ & ⑩ and drawer bottom support bar ⑬ to drawer back panel ⑪ using screws (D).
2. Insert drawer bottom panel ⑫ into grooves of drawer assembly.
3. Screw combolts (A) and insert skinny wood dowels into drawer front ⑭ .
4. Connect drawer front ⑭ to assembly by using comlocks (B).
5. Attach handles (N) to drawer front ⑭ by using screws (K).

Step 7

1. Carefully insert drawer into unit.



If desired, place sticker (P) over screw holes.

Step 8

1. Attach anti-tip brackets (I) to left panel ① & right panel ② using small screw (O)
2. Place unit against wall and mark bracket holes.
3. Drill holes in wall slightly smaller than anchor (H) and gently tap anchors into holes.
4. Fasten unit to wall using screw (D) through brackets (I).
5. Enjoy.

