

Before You Begin

INSTALLERS - Start Here

Safety Instructions are on pages 4 and 5 and Installation Instructions are on pages 15 to 22.

Please perform these steps:

1. Read the safety instructions.
2. Read all instructions in the Installation section of this manual BEFORE installing the range hood.
3. Remove all packing materials.
4. When finished, make sure to leave these instructions with the consumer.
5. Installation is to be done by a qualified technician only. However, the ultimate responsibility for proper installation falls to the owner.
6. Product failure due to improper installation is not covered under the Warranty.



CONSUMERS - Start Here

Safety Instructions are on pages 4 and 5 and Operating Instructions are on pages 23, 24, 25 and 35.

Please perform these steps:

1. Read the safety instructions.
2. Read all instructions in the manual BEFORE operating the range hood.
3. Remove all packing materials.
4. Installation is to be done by a qualified technician only. However, the ultimate responsibility for proper installation falls to the owner.
5. Product failure due to improper installation is not covered under the Warranty.



Hardware Note: For safety reasons, range hood mounting screws and anchors will not be included due to the variation of cabinetry constructions and wall material. Please consult your installation specialist regarding the optimal type of mounting screws and wall anchors to suit your home's construction.

Table of Contents

Before You Begin.....	2
Table of Contents	3
Important Safety Information	4
Included Parts	6
Range Hood Dimensions and Specifications	7
Mounting Brackets for Wall Hoods	13
Installation.....	15
Step 1 - Read the Safety Instructions.....	15
Step 2 - Unpack Range Hood and Prepare Tools.....	15
Step 3 - Plan Desired Location	15
Step 4 - Test Unit Functions	15
Step 5 - Venting Installation Guidelines	16
Step 6 - Preparations	18
Step 7A (wall hoods only) - Installing the Hood Mounting Bracket	18
Step 8A (wall hoods only) - Installing the Upper Chimney Bracket	18
Step 9A (wall hoods only) - Venting	19
Step 10A (wall hoods only) - Mount Range Hood onto Wall.....	19
Step 11A (wall hoods only) - Connect Ductwork.....	19
Step 12A (wall hoods only) - Connect to AC	19
Step 13A (wall hoods only) - Install Chimney.....	20
Step 7B (cabinet hoods only) - Attaching Vent/Damper	21
Step 8B (cabinet hoods only) - Installing the Hood	21
Step 9B (cabinet hoods only) - Electrical Connection	21
Step 10B (cabinet hoods only) - Venting	22
Step 14A / Step 11B (all models) - Install Filters	22
Operation	23
Power Settings.....	23
Lights	23
Timer	23
Maintenance.....	24
Replacing the Light Pucks	24
Cleaning Filters	25
Troubleshooting.....	25
Range Hood Assembly	26
Assembly.....	32
Circuit Diagram	32
Electrical Assembly.....	33
Blower Assembly	34
Use and Care Information	35

Table of Contents

Before You Begin.....	2
Table of Contents	3
Important Safety Information	4
Included Parts	6
Range Hood Dimensions and Specifications	7
Mounting Brackets for Wall Hoods	13
Installation.....	15
Step 1 - Read the Safety Instructions.....	15
Step 2 - Unpack Range Hood and Prepare Tools.....	15
Step 3 - Plan Desired Location	15
Step 4 - Test Unit Functions	15
Step 5 - Venting Installation Guidelines	16
Step 6 - Preparations	18
Step 7A (wall hoods only) - Installing the Hood Mounting Bracket	18
Step 8A (wall hoods only) - Installing the Upper Chimney Bracket	18
Step 9A (wall hoods only) - Venting	19
Step 10A (wall hoods only) - Mount Range Hood onto Wall.....	19
Step 11A (wall hoods only) - Connect Ductwork.....	19
Step 12A (wall hoods only) - Connect to AC	19
Step 13A (wall hoods only) - Install Chimney.....	20
Step 7B (cabinet hoods only) - Attaching Vent/Damper	21
Step 8B (cabinet hoods only) - Installing the Hood	21
Step 9B (cabinet hoods only) - Electrical Connection	21
Step 10B (cabinet hoods only) - Venting	22
Step 14A / Step 11B (all models) - Install Filters	22
Operation	23
Power Settings.....	23
Lights	23
Timer	23
Maintenance.....	24
Replacing the Light Pucks	24
Cleaning Filters	25
Troubleshooting.....	25
Range Hood Assembly	26
Assembly.....	32
Circuit Diagram	32
Electrical Assembly.....	33
Blower Assembly	34
Use and Care Information	35

Important Safety Information

READ ALL INSTRUCTIONS BEFORE USE

Read and follow all instructions before using the range hood to prevent the risk of fire, electric shock, personal injury, or damage when using the range hood or appliances with the range hood. This guide does not cover all possible conditions that may occur. Always contact your service technician or manufacturer about problems that you do not understand.

- The installation in this manual is intended for qualified installers, service technicians or persons with a similar qualified background. Installation must be done by qualified professionals and in accordance with all applicable codes and standards, including fire-rated construction.
- The range hood may have very sharp edges; please wear protective gloves if it is necessary to remove any parts for installing, cleaning or servicing.
- Activating any switch to ON position before completing installation may cause damage or electric shock.
- Due to the size of this range hood, a two person installation is recommended.

To reduce the risk of fire, electric shock, or injury to persons:

- For general ventilating use only. **DO NOT** use to exhaust hazardous or explosive materials and vapors.
- **WARNING:** To Reduce The Risk Of Fire Or Electric Shock, Do Not Use This Fan With Any Solid-State Speed Control Device.
- The combustion air flow needed for safe operation of fuel-burning equipment may be affected by this unit's operation. Follow the heating equipment manufacturer's guideline and safety standards such as those published by the National Fire Protection Association (NFPA), and the American Society of Heating, Refrigeration and Air Conditioning Engineers (ASHRAE), and other local code authorities.
- Before servicing or cleaning the unit, switch power off at service panel and lock the service

disconnecting means to prevent power from being switched on accidentally. When the service disconnecting means cannot be locked, securely fasten a prominent warning device, such as a tag, to the service panel.

- Clean grease-laden surfaces frequently. To optimize performance and to disperse air properly, make sure to vent air outside. **DO NOT** vent exhaust into spaces between walls, crawl spaces, ceilings, attics or garages.
- Ducted fans **MUST** always be vented to the outdoors.
- This unit **MUST** be grounded and used with metal ductwork only.
- Sufficient air is needed for proper combustion and exhausting of gases through the duct to prevent back drafting.
- When cutting or drilling into wall or ceiling, be careful not to damage electrical wiring or other hidden utilities.
- All electrical wiring must be properly installed, insulated and grounded.
- Old ductwork should be cleaned or replaced if necessary to avoid the possibility of a grease fire.
- Check all joints on ductwork to ensure proper connection; all joints should be properly taped using a certified aluminum or foil tape.
- Use this unit only in the manner intended by the manufacturer. If you have questions, contact the vendor.

READ AND SAVE THESE INSTRUCTIONS

Important Safety Information

WARNING: TO REDUCE RISK OF A RANGE TOP GREASE FIRE:

- a) Never leave surface units unattended at high settings. Boilovers cause smoking and greasy spillovers that may ignite. Heat oils slowly on low or medium settings.
- b) Always turn range hood ON when cooking at high heat or when flambéing food (i.e. Crepes Suzette, Cherries Jubilee, etc.).
- c) Clean ventilating fans frequently. Grease should not be allowed to accumulate on fan or filter. Before servicing or cleaning unit, unplug and disconnect the hood from the power supply.
- d) Use proper pan size. Always use cookware appropriate for the size of the surface element.

WARNING: TO REDUCE RISK OF INJURY TO PERSONS IN THE EVENT OF A RANGE TOP GREASE FIRE, OBSERVE THE FOLLOWING *

- a) SMOTHER FLAMES with a close-fitting lid, cookie sheet, or metal tray, then turn off the burner. BE CAREFUL TO PREVENT BURNS. If the flames do not go out immediately, EVACUATE AND CALL THE FIRE DEPARTMENT.
- b) NEVER PICK UP A FLAMING PAN - You may be burned.
- c) DO NOT USE WATER, including wet dishcloths or towels - a violent steam explosion will result.
- d) Use an extinguisher ONLY if:
 - 1) You know you have a Class A, B, C extinguisher, and you already know how to operate it.
 - 2) The fire is small and contained in the area where it is started.
 - 3) The fire department is being called.
 - 4) You can fight the fire with your back to an exit.

* Based on "Kitchen Fire Safety Tips" published by NFPA

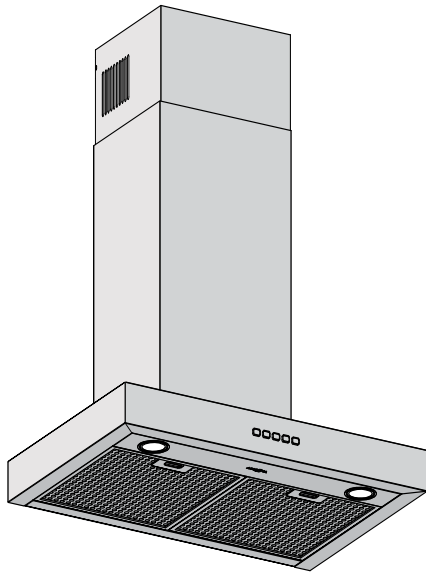
To reduce the risk of injury to persons in the event of a gas leaks:

- Extinguish any open flame.
- DO NOT turn on the lights or any type of appliance.
- Open all doors and windows to disperse the gas. If you still smell gas, call the gas company and fire department.

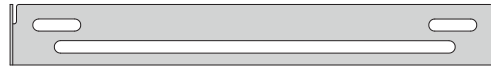
Your safety and the safety of others is very important. We have provided many important safety messages in this manual and on your appliance. Always read and obey all safety messages. All safety messages outline any potential hazards, how to reduce the chance of injury, and possible risks if the instructions are not followed.

READ AND SAVE THESE INSTRUCTIONS

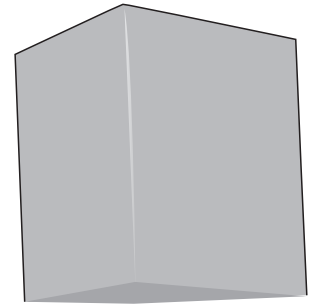
Included Parts Wall Hoods



Main Housing



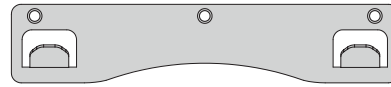
Upper Chimney Bracket



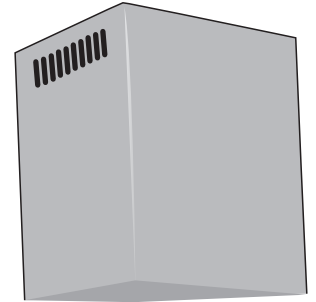
Lower Chimney



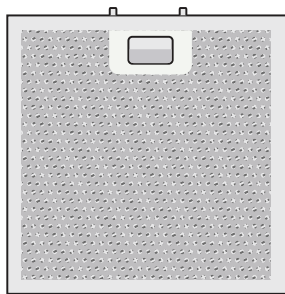
Lower Chimney Bracket



Hood Mounting Bracket



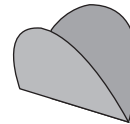
Upper Chimney



2 Filters

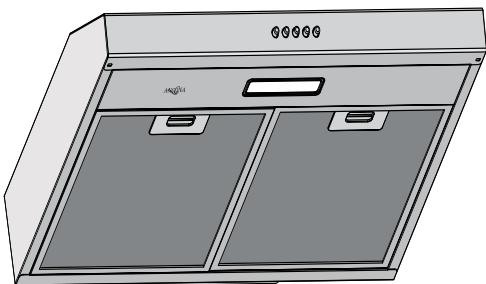


2 + 1 Screws

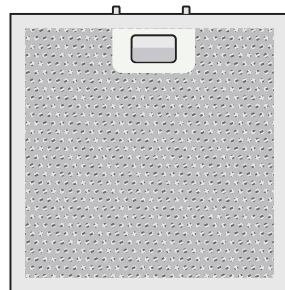


Damper flap

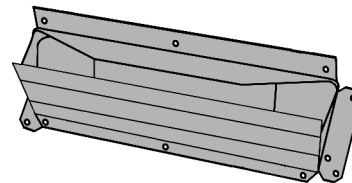
Included Parts Under Cabinet Hoods



Main Housing



2 Filters



Damper



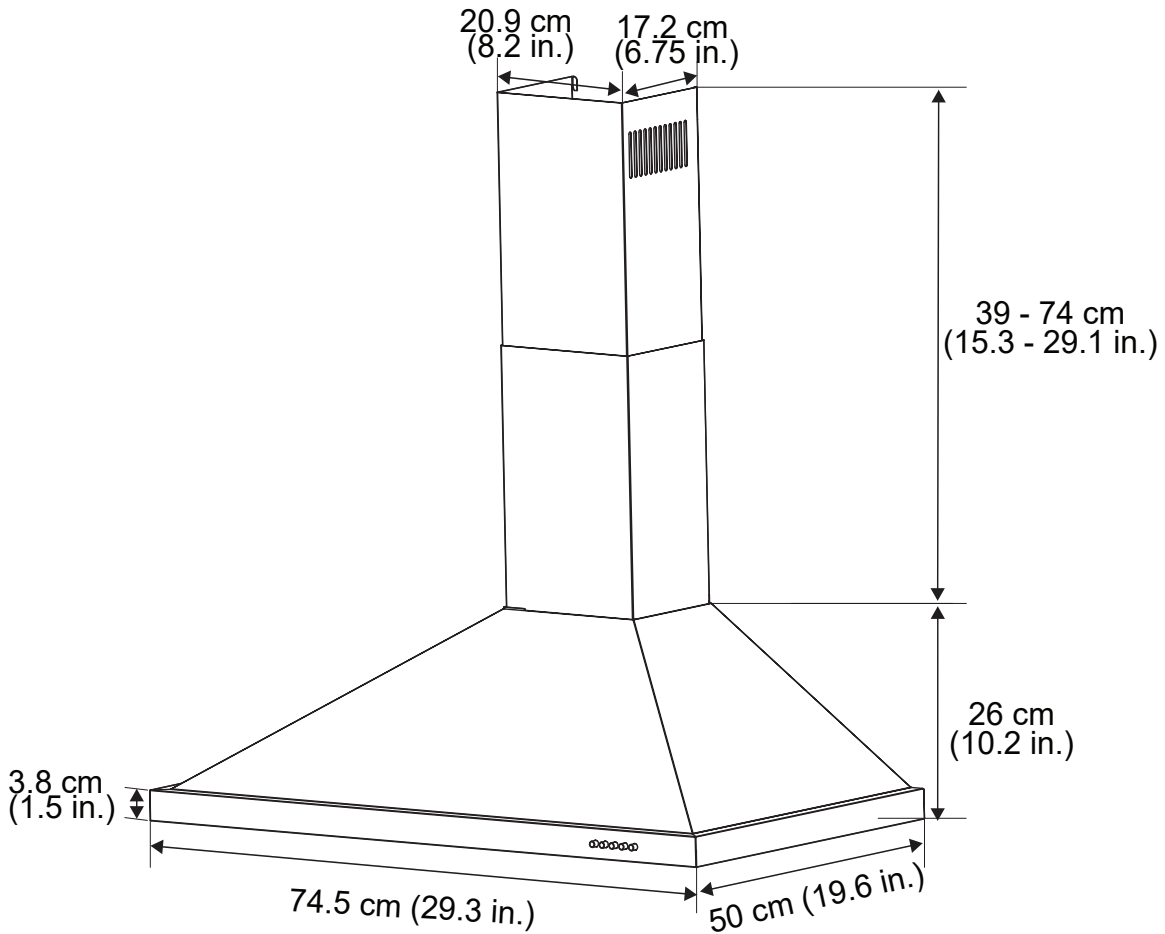
4 + 1 Screws



Hardware Note: For safety reasons, range hood mounting screws and anchors will not be included due to the variation of cabinetry constructions and wall material. Please consult your installation specialist regarding the optimal type of mounting screws and wall anchors to suit your home's construction.

Range Hood Dimensions and Specifications

AN-1158

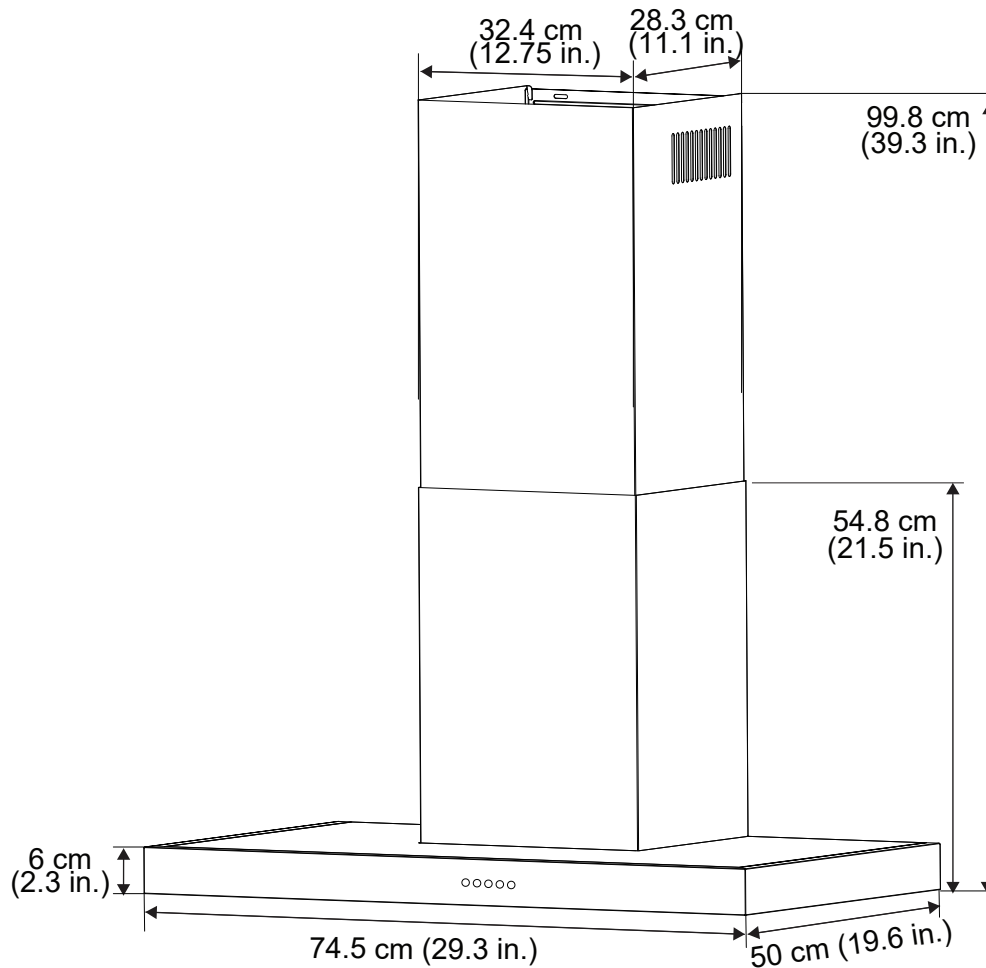


Specifications

Body Design	Stainless Steel
Power Rating	120 V / 60 Hz (cETLus Certified)
Total Input Power	88 W (85 W + 2 × 1.5 W)
Motor Input Power	85 W
Amperage	0.8 A
Speed Control Levels	3 Speeds
Interference Protection	Radio Frequency Interference Protected
Motors	Single Motor
Control	Mechanical control panel
Filtration	Aluminium filter
Illumination	2 × 1.5 W LED
Fan Type	Single chamber quiet
Venting Size	Top, 6 inches (15.3 cm) round

Range Hood Dimensions and Specifications

AN-1159

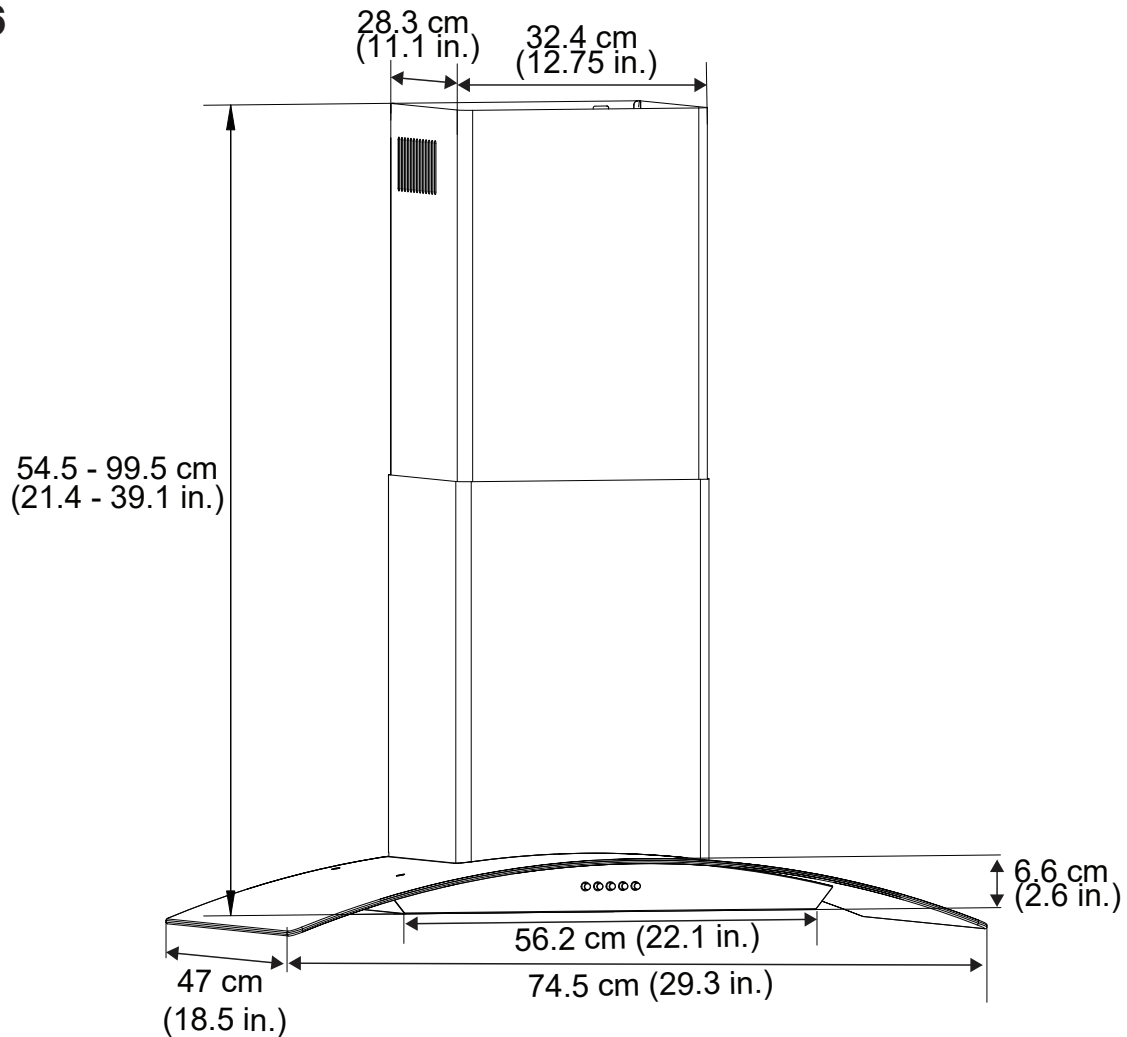


Specifications

Body Design	Stainless Steel
Power Rating	120 V / 60 Hz (cETLus Certified)
Total Input Power	193 W (190 W + 2 × 1.5 W)
Motor Input Power	190 W
Amperage	1.6 A
Speed Control Levels	3 Speeds
Interference Protection	Radio Frequency Interference Protected
Motors	Single Motor
Control	Mechanical control panel
Filtration	Aluminium filter
Illumination	2 × 1.5 W LED
Fan Type	Single squirrel cage
Venting Size	Top, 6 inches (15.3 cm) round

Range Hood Dimensions and Specifications

AN-1176

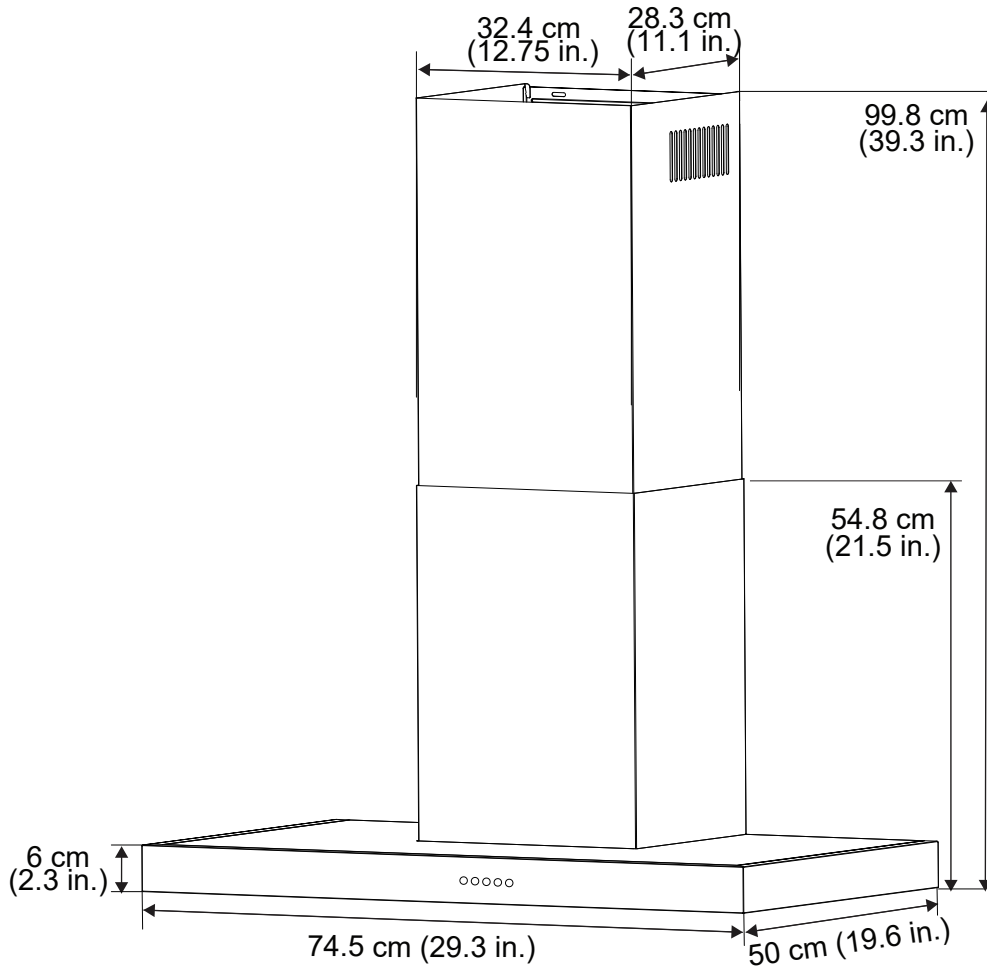


Specifications

Body Design	Stainless Steel
Power Rating	120 V / 60 Hz (cETLus Certified)
Total Input Power	88 W (85 W + 2 × 1.5 W)
Motor Input Power	85 W
Amperage	0.8 A
Speed Control Levels	3 Speeds
Interference Protection	Radio Frequency Interference Protected
Motors	Single Motor
Control	Mechanical control panel
Filtration	Aluminium filter
Illumination	2 × 1.5 W LED
Fan Type	Single squirrel cage
Venting Size	Top, 6 inches (15.3 cm) round

Range Hood Dimensions and Specifications

AN-1123

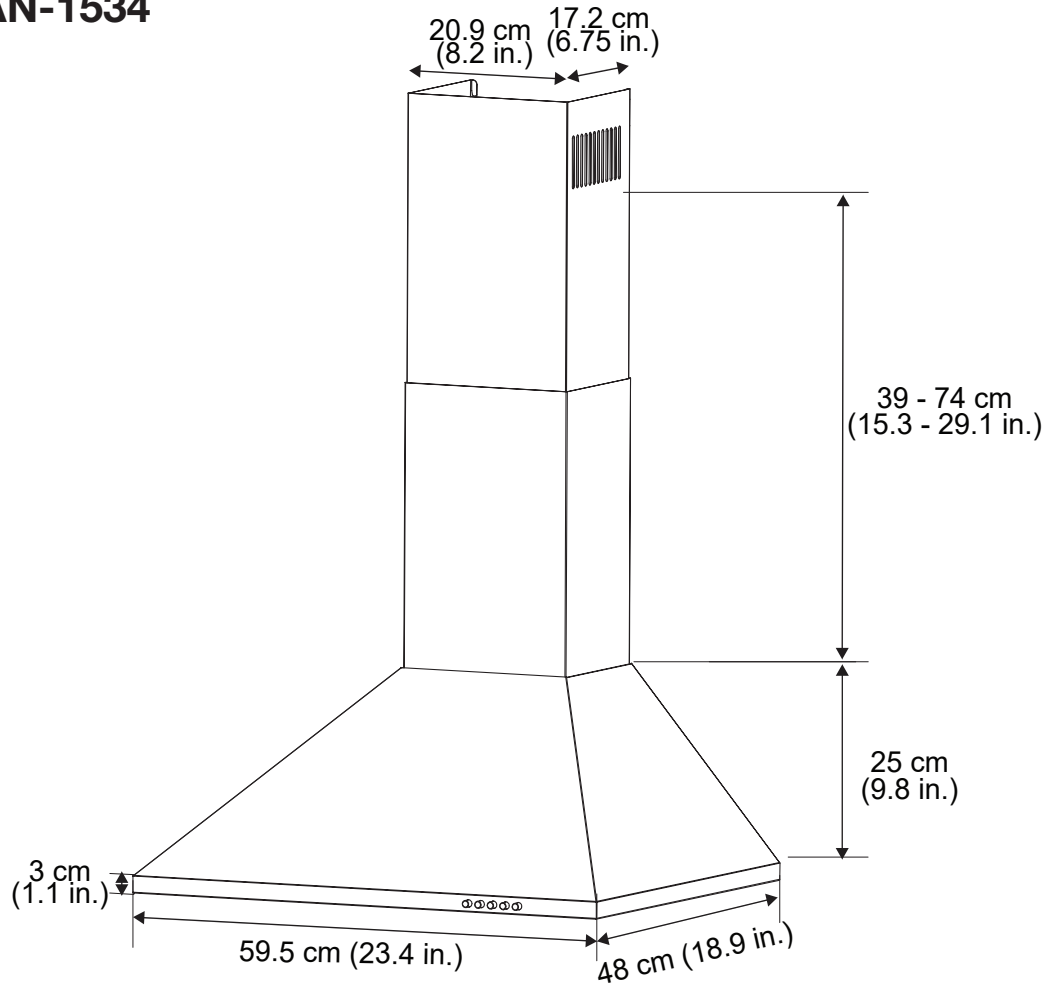


Specifications

Body Design	Stainless Steel
Power Rating	120 V / 60 Hz (cETLus Certified)
Total Input Power	383 W (380 W + 2 × 1.5 W)
Motor Input Power	380 W
Amperage	3.2 A
Speed Control Levels	3 Speeds
Interference Protection	Radio Frequency Interference Protected
Motors	Single Motor
Control	Electronic control panel
Filtration	Decorative filter
Illumination	2 × 1.5 W LED
Fan Type	Single chamber quiet
Venting Size	Top, 6 inches (15.3 cm) round

Range Hood Dimensions and Specifications

AN-1533 / AN-1534

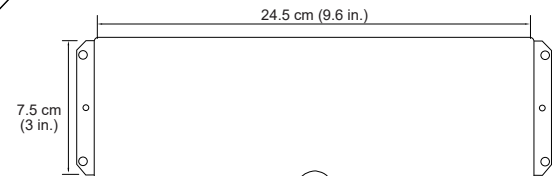
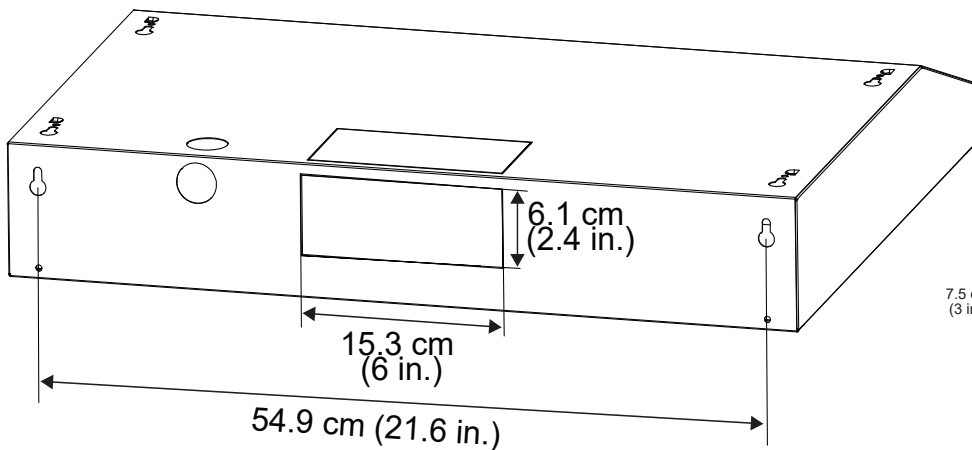
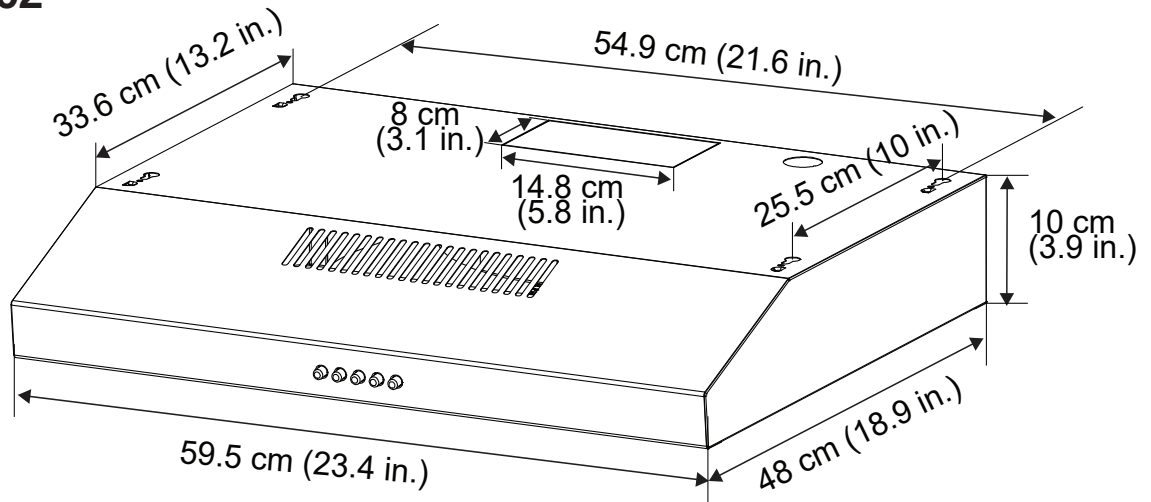


Specifications

Body Design	Stainless Steel / White
Power Rating	120 V / 60 Hz (cETLus Certified)
Total Input Power	193 W (190 W + 2 × 1.5 W)
Motor Input Power	190 W
Amperage	1.7 A
Speed Control Levels	3 Speeds
Interference Protection	Radio Frequency Interference Protected
Motors	Single Motor
Control	Mechanical control panel
Filtration	Aluminium filter
Illumination	2 × 1.5 W LED
Fan Type	Single chamber quiet
Venting Size	Top, 6 inches (15.3 cm) round

Range Hood Dimensions and Specifications

AN-1800 / AN-1802



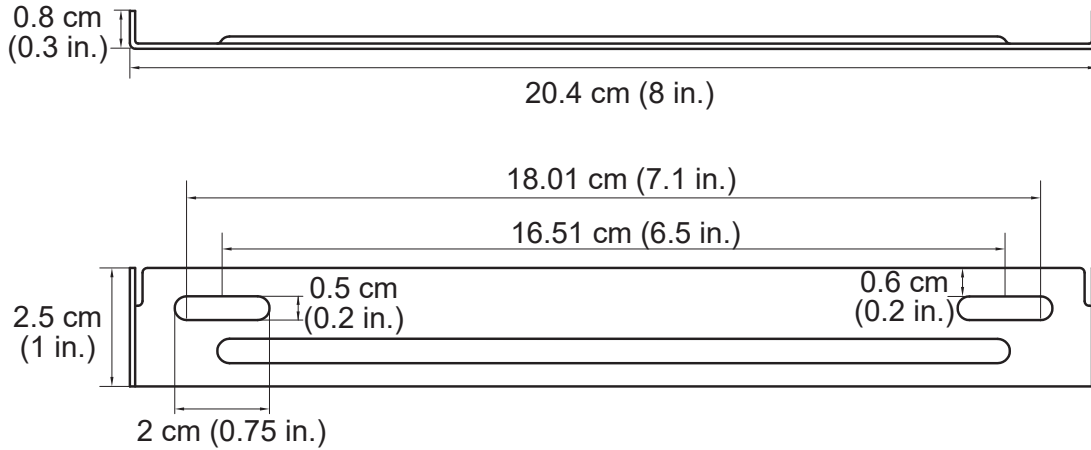
Specifications

Body Design	White / Stainless Steel
Power Rating	120 V / 60 Hz (cETLus Certified)
Total Input Power	82 W (80 W + 1 × 2 W)
Motor Input Power	80 W
Amperage	0.7 A
Speed Control Levels	3 Speeds
Interference Protection	Radio Frequency Interference Protected
Motors	Single Motor
Control	Mechanical control panel
Filtration	Aluminium filter
Illumination	1 × 2 W LED
Fan Type	Single chamber quiet
Venting Size	Top or rear, 10 in. × 3 1/4 in. (25.4 cm x 8.3 cm) Rectangular

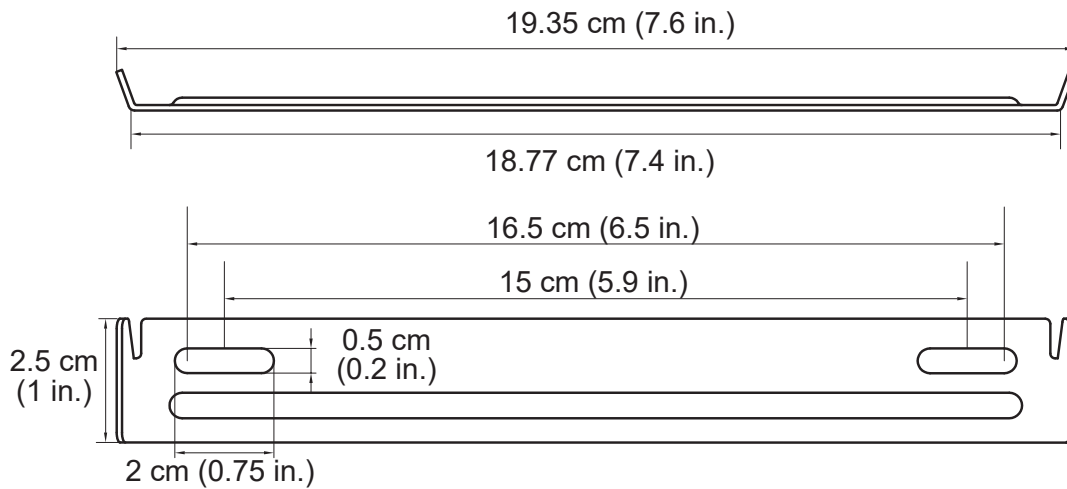
Mounting Brackets for Wall Hoods

AN-1158 / AN-1533 / AN-1534

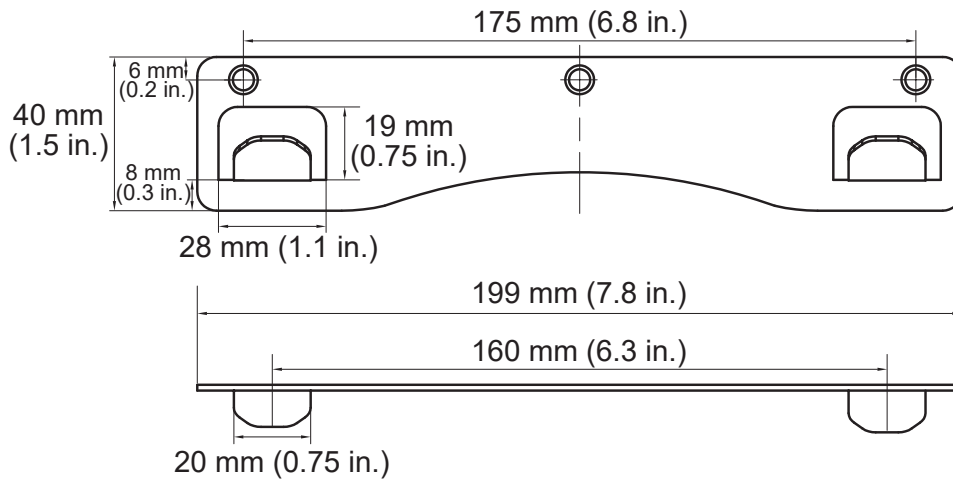
Upper Chimney Bracket



Lower Chimney Bracket



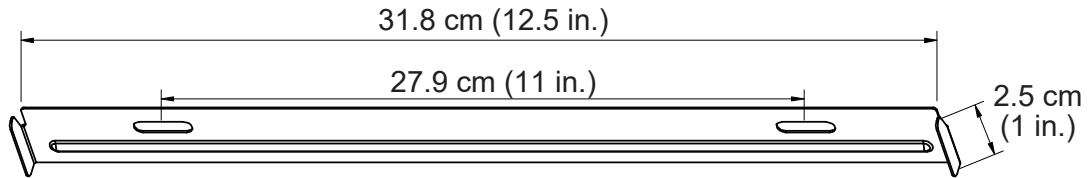
Mounting Bracket Hook (all models)



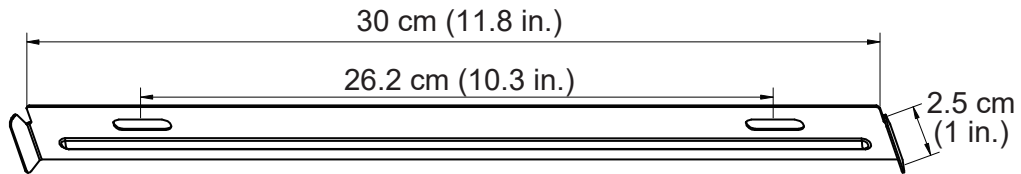
Mounting Brackets for Wall Hoods

AN-1159 / AN-1176 / AN-1123

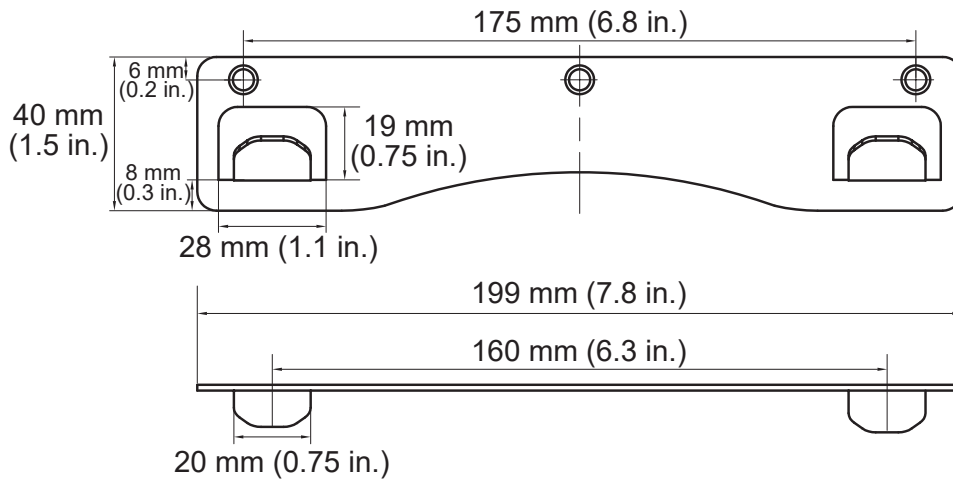
Upper Chimney Bracket



Lower Chimney Bracket



Mounting Bracket Hook (all models)



Installation

STEP 1

Read the Safety Instructions

- It is very important to read the safety instructions on pages 4 and 5.

IMPORTANT: It is the installer's responsibility to comply with installation clearances.

STEP 2

Unpack Range Hood and Prepare Tools

- Carefully unpack the range hood and parts. Make sure all parts are included as shown on page 6.
 - DO NOT remove the protective film covering the appliance until the installation is fully completed.
 - Consult a qualified and trained installer or check local codes for makeup air requirement, if any.
-

STEP 3

Plan Desired Location

- Plan a desirable location that fits all requirements in the Safety and Installation sections of this manual. Plan where and how the ductwork will be installed.
 - A straight or short duct run will allow the unit to perform most efficiently. Long duct runs, elbows and transitions will reduce the performance of the unit. Each elbow is equivalent to 5 to 10 feet (1.5 m to 3 m) of straight run. Proper size duct work should be 6 in. (15.3 cm) in diameter.
 - **To reach a 9 ft (2.7 m) ceiling make sure hood is installed 30 inches (76.2 cm) from cooking surface. If you have a ceiling greater than 9 ft (2.7 m), please visit anconahome.com to order a chimney extension.**
 - If ductwork is already installed: ensure ductwork is free from debris and measures 6 in. (15.3 cm) (1 in. (2.5 cm) reducers may be used but more than 1 in. (2.5 cm) will overwork the motor and the unit will not function properly).
-

STEP 4

Test Unit Functions

- Plug the unit in and test all of the functions before installing.
- Place the range hood on a flat, stable surface. Connect the range hood to a designated standard outlet (120-Volt, 60Hz, AC only) and turn on the range hood. Verify all operations of the range hood by referring to *Range Hood Operations*.
- Turn power On in control panel.
- Check all lights and fan operations.

WARNINGS:

- Please make sure to read ALL safety instructions on pages 4 and 5.
- Use two or more people to move and install range hood.
- Failure to follow these instructions can result in serious injury.

Installation

STEP 5

Venting Installation Guidelines

- The following steps are for exterior ventilation.

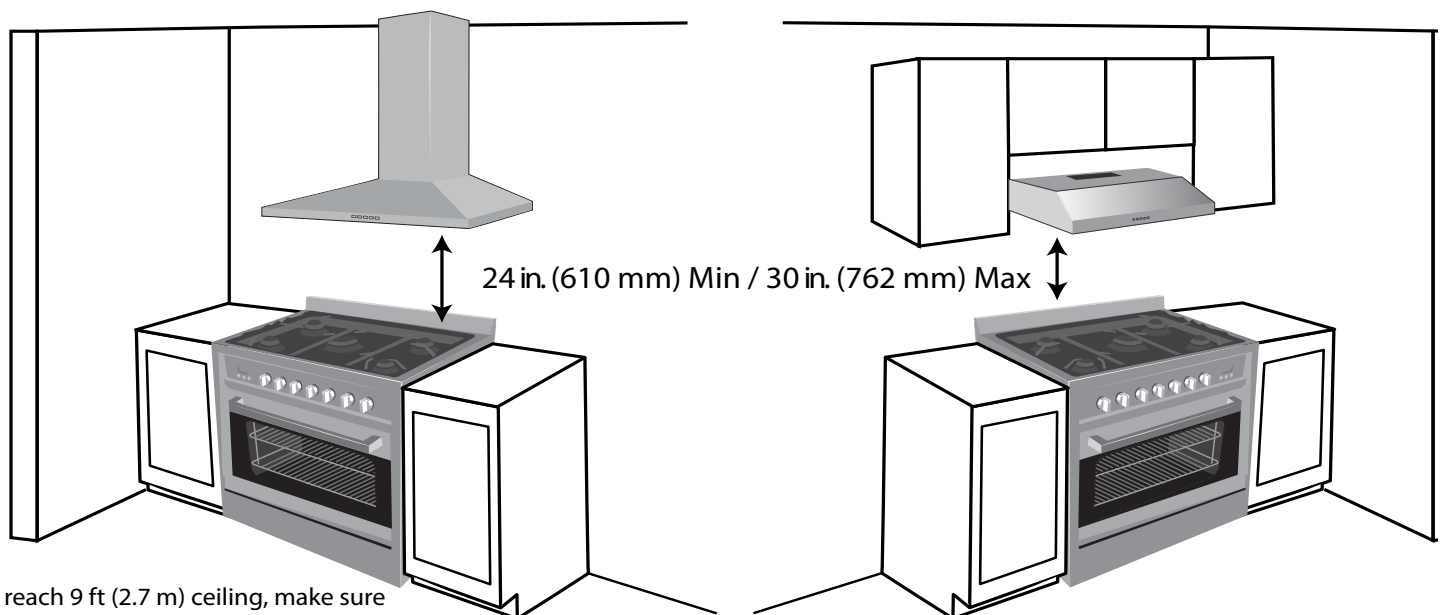
IMPORTANT:

- Vent system must terminate to the outside (roof or side wall).
- DO NOT terminate the vent system in an attic or other enclosed area.
- DO NOT use 4 in. (10.2 cm) laundry-type wall caps.
- Use metal/aluminum vent only. A rigid metal/aluminum vent is recommended.
- DO NOT use a plastic vent.
- Always keep the duct clean to ensure proper airflow.
- Calculate the following figures before installation:
 1. Distance from the floor to the ceiling
 2. Distance between the floor and the countertop/stove
 3. A distance of 24 in. to 30 in. (61 cm to 76.2 cm) is recommended between stove top and the bottom of range hood. 30 in. (76.2 cm) minimum is required for gas stove tops.
 4. Height of hood and duct cover.

For the most efficient and quiet operation:

- It is recommended that the range hood be vented vertically through the roof through 6 in. (15.3 cm) round, or through the roof or wall 3-1/4 x 10 in. (8.3 cm x 25.4 cm) rectangular duct or bigger metal/aluminum vent work.
- The size of the vent should be uniform.
- Use no more than three 90° elbows.
- Make sure there is a minimum of 24 in. (61 cm) of straight vent between the elbows if more than one elbow is used.
- DO NOT install two elbows together.
- The length of vent system and number of elbows should be kept to a minimum to provide efficient performance.
- The vent system must have a damper. If roof or wall cap has a damper, you may remove damper flaps from damper to increase air flow.
- Only one flange is needed in the air duct system, either on top of the motor or outside.
- Use silver tape or duct tape to seal all joints in the vent system.
- Use caulking to seal exterior wall or roof opening around the cap.

Height and Clearance



To reach 9 ft (2.7 m) ceiling, make sure range hood is installed at least 30 in. (762 mm) from cooking surface.

Installation

IMPORTANT:

- A minimum of 6 in. (15.3 cm) round or 3-1/4 x 10 in. (8.3 cm x 25.4 cm) rectangular duct must be used to maintain maximum airflow efficiency.
- Always use rigid type metal/aluminum ducts if available to maximize airflow when connecting to provided duct.
- Please use Duct Run Calculation below to compute total available duct run when using elbows, transitions and caps.
- ALWAYS, when possible, reduce the number or transitions and turns. If long duct run is required, increase duct size from 6 in. (15.3 cm) to 7 in. (17.7 cm) or 8 in. (20.3 cm). If a reducer is used, install a long reducer instead of a pancake reducer. Reducing duct size will restrict airflow and decrease airflow, thus reduce duct size as far away from opening as possible.
- If turns or transitions are required, install as far away from opening and as far apart, between two (2), as possible.
- Minimum mount height between stove top to hood bottom should be no less than 24-inch (61 cm) for

electric cook tops and minimum of 30-inch (76.2 cm) for gas stove tops and no higher than 30-inch (76.2 cm) for electric cook tops.

- It is important to install the hood at the proper mounting height. Hoods mounted too low could result in heat damage and fire hazard; while hoods mounted too high may be hard to reach and will lose its performance and efficiency.
- If available, also refer to stove top manufacturer's height clearance requirements and recommended hood mounting height above range.

Duct Run Calculation:	
Recommended maximum run	
6 in. (15.3 cm) or 3 1/4 x 10 in. (8.3 x 25.4 cm) duct	30 ft (9.1 m)
Vent piece deduction	
Each 90° elbow used	9 ft (2.7 m)
Each 45° elbow used	5 ft (1.5 m)
Each 6 in. to 3-1/4 x 10 in. transition used	7 ft (2.1 m)
Side wall cap with damper	0 ft (0 m)

Duct Run Calculation example:

One roof cap, two 90° elbows, and one 45° elbow use.

0ft + 9ft + 9ft + 5ft = 23ft used.

Deduct 23ft from 30ft, 7ft maximum available for straight duct run.

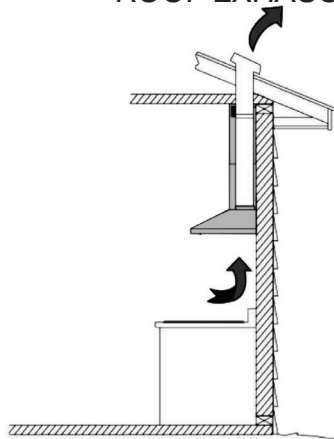
- This range hood is factory set for venting through the roof or wall.
- Vent work can terminate either through the roof or wall. To vent through a wall, a 90° elbow is needed.

IMPORTANT:

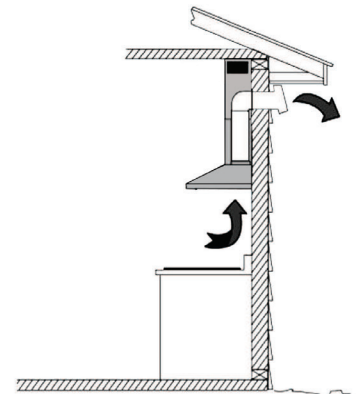
- **NEVER** exhaust air or terminate duct work into spaces between walls, crawl spaces, ceiling, attics or garages. All exhaust must be ducted to the outside.
- Use metal/aluminum duct work only.
- Fasten all connections with sheet metal screws and tape all joints with certified Silver Tape or Duct Tape.
- Use caulking to seal exterior wall or roof opening around the cap.

WALL HOOD VENTING

TOP VENTING
ROOF EXHAUST

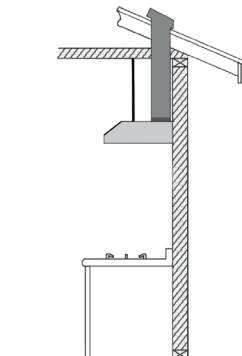


TOP VENTING
WALL EXHAUST

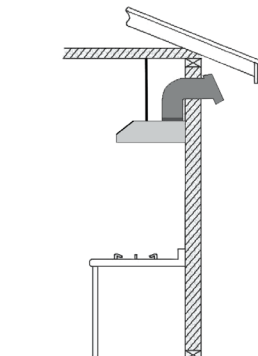


CABINET HOOD VENTING

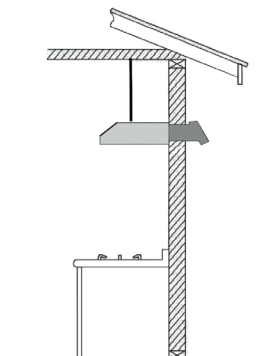
TOP VENTING
ROOF EXHAUST



TOP VENTING
WALL EXHAUST



REAR VENTING



Installation

STEP 6

Preparations

NOTE: To avoid damage to your hood, prevent debris from entering the vent opening.

- Determine and mark the center line on the ceiling or wall where the range hood will be installed.
- Make sure there is proper clearance within the ceiling or wall for exhaust vent.
- Due to the weight and size of this unit, please make sure that the support system or framework being used is stable and secure in the ceiling or wall.
- Put a thick, protective covering over counter top, cooktop or range to protect from damage or dirt.
- Remove any hazardous objects around the area when installing.



CAUTION

If moving the cooking range is necessary to install the hood, turn OFF the power on an electric range at the main electrical box. SHUT OFF THE GAS BEFORE MOVING A GAS RANGE



- If performing wall installation, please follow Steps A
- If performing under cabinet installation, please follow Steps B

STEP 7A (wall hoods only)

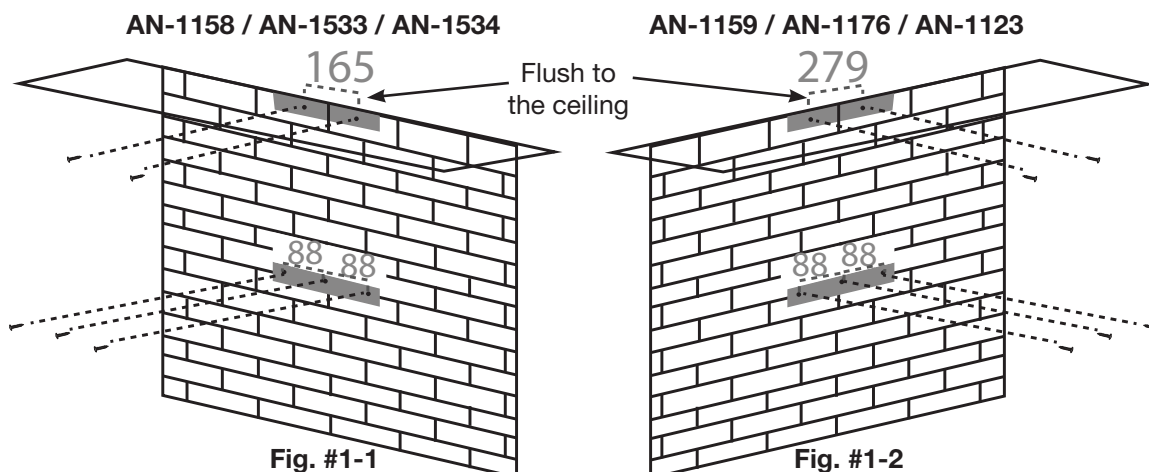
Installing the Hood Mounting Bracket

- Use a pencil to mark on the wall the desired placement of the range hood mounting screws.
- The range hood will be installed on top of this bracket (See Figure #1).
- Using references in Height & Clearance on Page 16 and Measurements and Diagrams on Pages 7 to 14, drill three holes that will be used to fix the lower mounting bracket.

STEP 8A (wall hoods only)

Installing the Upper Chimney Bracket

- Drill two holes according to the size of the upper mounting bracket. The upper mounting bracket should be positioned flush with the top of the outside chimney (See Figure #1-1 or #1-2)
- Screw upper and hood mounting brackets in tightly.



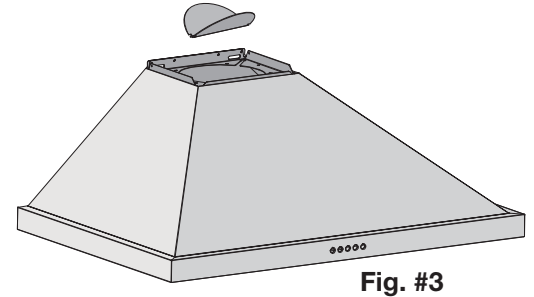
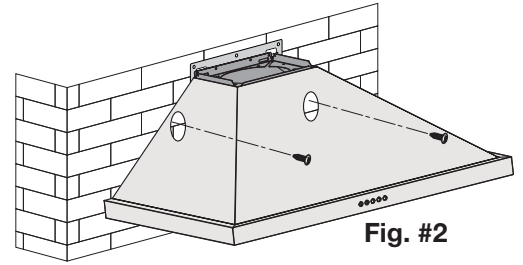
Installation

- **Optional step:** For extra support, drill 2 additional holes aligned to hood's pre-drilled holes, and to mount the hood onto the wall. (See Figure #2)

STEP 9A (wall hoods only)

Venting

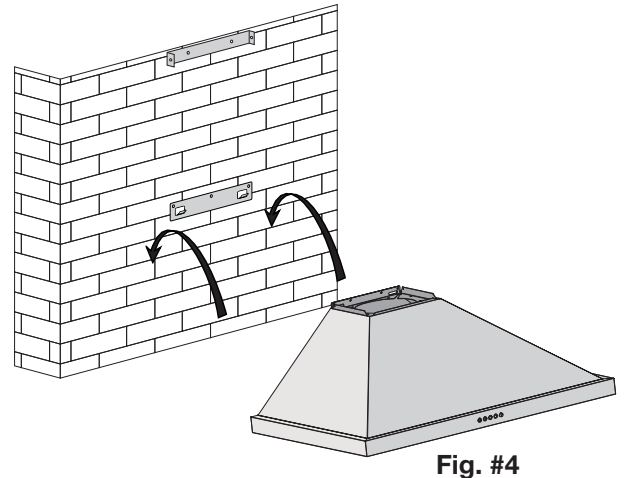
- Fix the damper flap on the top vent of hood.
- If ventilation system is equipped with an external air duct with a different diameter, apply a reduction fitting. However, for maximum performance and safety, a 6 in. round ducting is recommended.



STEP 10A (wall hoods only)

Mount Range Hood onto Wall

- Hang the range hood on the hooks of the hood mounting bracket. (See Figure #4)
- Screw the range hood to the wall.



CAUTION - Make certain the range hood is secure before releasing!

STEP 11A (wall hoods only)

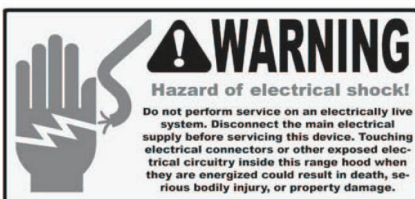
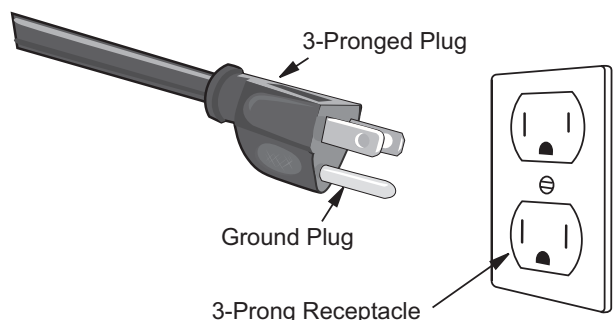
Connect Ductwork

- Attach ductwork to duct. Secure the ductwork with duct tape to make sure joints are secure and air-tight.
- Do not install the duct tape too tightly as this may prevent the damper flaps from opening which will overwork the motor and cause improper functioning of the unit.
- Fasten all connections with sheet metal screws and tape all joints with certified aluminum or foil tape. Use caulking to seal exterior wall or roof opening around the cap.

STEP 12A (wall hoods only)

Connect to AC

- Connect AC plug into a grounded AC outlet having 120V, 60Hz. Place the outlet at a maximum distance of 33-1/2 in. (851 mm) from where the cord exits on the hood.
- SEE IMPORTANT INSTRUCTIONS ON NEXT PAGE.



Installation

IMPORTANT:

- Observe all governing codes and ordinances.
- **It is the customer's responsibility to contact a qualified electrical installer.**
- If codes permit and a separate ground wire is used, it is recommended that a qualified electrician determine that the ground path is adequate. A 120-Volt, 60 Hz, AC-only, fused electrical supply is required on a separate 15-amp circuit, fused on both sides of the line.
- DO NOT ground to a gas pipe.
- Check with a qualified electrician if you are not sure that the range hood is properly grounded.
- DO NOT have a fuse in the neutral or ground circuit.

IMPORTANT: Save this Installation Guide for electrical inspector's use.

GROUNDING INSTRUCTIONS:

- This appliance must be grounded. In the event of an electrical short-circuit, grounding reduces the risk of electric shock by providing an escape wire for the electric current.
- This appliance is equipped with a cord having a grounding wire with a grounding plug. The plug must be plugged into an outlet that is properly installed and grounded.

WARNING: Improper grounding can result in a risk of electric shock.

- Consult a qualified electrician if the grounding instructions are not completely understood, or if doubt exists as to whether the appliance is properly grounded. DO NOT use an extension cord. If the power supply cord is too short, have a qualified electrician install an outlet near the appliance.

STEP 13A (wall hoods only)

Install Chimney

- Place chimney on top of the main housing
- Remove the protective coating from the upper chimney. Carefully slide the upper chimney down into the lower chimney. Make sure upper chimney is moving freely.
- Hook lower chimney bracket to lower chimney, then screws the lower chimney bracket on wall. (See Figure #5)
- Screw the upper chimney to the upper mounting bracket. (See Figure #6)

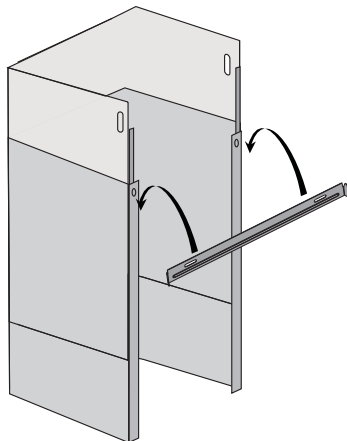


Fig. #5

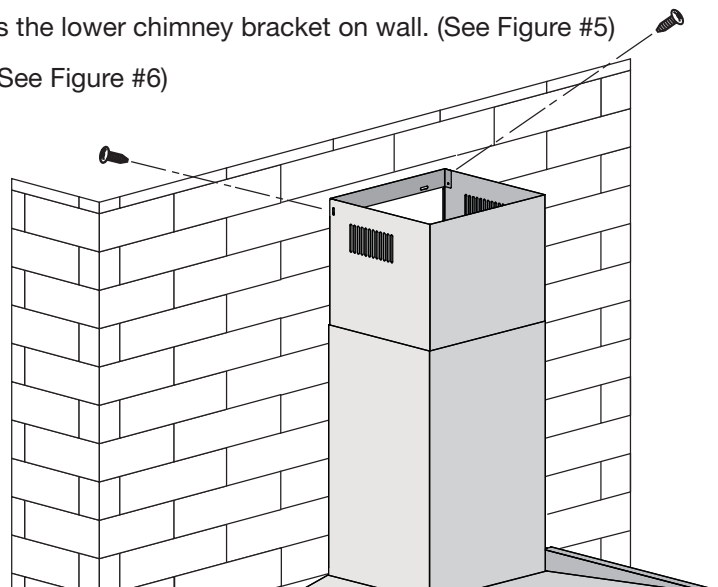


Fig. #6

Installation

STEP 7B (cabinet hoods only)

Attaching Vent/Damper

- Remove the two filters to allow access to the inside of the unit. (See Figure #7)
- Depending on the exterior venting option chosen (See page 17), pop out the steel panel on either the top or rear of the range hood. (See Figure #8)
- Using the supplied screws, attach the rectangular vent/damper to the rear of the range hood. (See Figure #8)

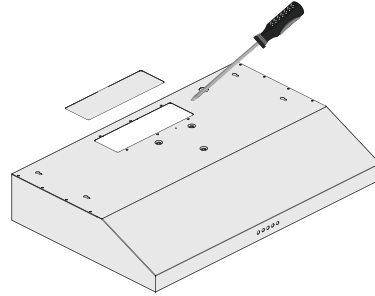


Fig. #7

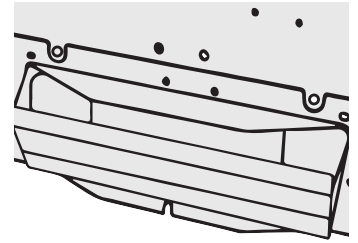


Fig. #8

STEP 8B (cabinet hoods only)

Installing the Hood

- Using measurements provided on Page 12, measure and drill 4 holes into bottom of cabinet. (See Figure #9)
- Depending on exterior venting chosen (See page 17, use measurements provided on Page 12 and cut vent hole in cabinet.
- Align range hood to the holes in the bottom of the cabinet and screw in. (See Figure #9)

Note: Use threaded drywall anchors only when mounting the hood on sheet rock. Mounting the hood on wall studs or lumbers is highly recommended.

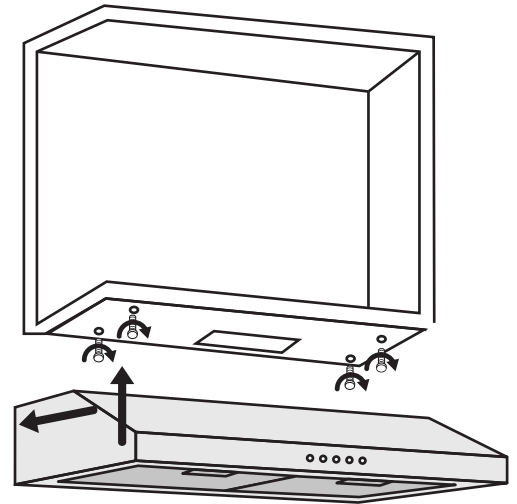


Fig. #9

STEP 9B (cabinet hoods only)

Electrical Connection

- Use the tool to punch the wiring hole, from the two options for holes. Please choose Fig. #10-1 hole or Fig. #10-2 hole accordingly to wiring requirement.
- Connect cable to range hood wiring. (See Figure #11)
- Connect BLACK to BLACK, WHITE to WHITE and GREEN to GREEN.
- **DON'T FORGET TO CONNECT THE GROUND! (green wire)**
- The terminal is not provided, it should be prepared by a qualified electrician.
- **WARNING: ALL CONNECTORS MUST BE ENCLOSED IN THE WIRING COMPARTMENT.**

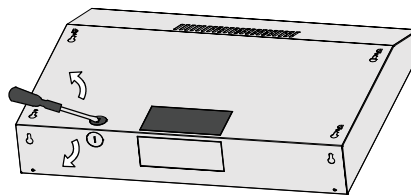


Fig. #10-1

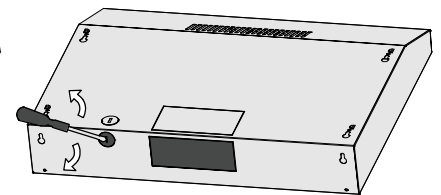


Fig. #10-2

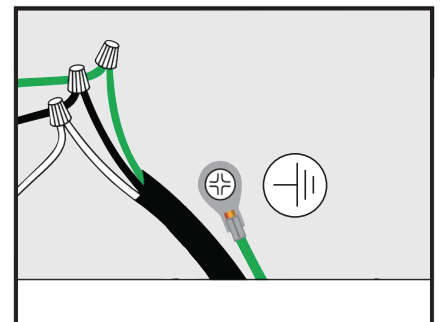


Fig. #11



SAFETY WARNING: Risk of electrical shock. This range hood must be properly grounded. Make sure this is done by a qualified electrician in accordance with all applicable national and local electrical codes. Before connecting wires, switch power off at service panel and lock service panel to prevent power from being switched on accidentally.

Installation

IMPORTANT:

- Observe all governing codes and ordinances.
- **It is the customer's responsibility to contact a qualified electrical installer.**
- If codes permit and a separate ground wire is used, it is recommended that a qualified electrician determine that the ground path is adequate. A 120-Volt, 60 Hz, AC-only, fused electrical supply is required on a separate 15-amp circuit, fused on both sides of the line.
- DO NOT ground to a gas pipe.
- Check with a qualified electrician if you are not sure that the range hood is properly grounded.
- DO NOT have a fuse in the neutral or ground circuit.

IMPORTANT: Save this Installation Guide for electrical inspector's use.

GROUNDING INSTRUCTIONS:

- This appliance must be grounded. In the event of an electrical short-circuit, grounding reduces the risk of electric shock by providing an escape wire for the electric current.

WARNING: Improper grounding can result in a risk of electric shock.

- Consult a qualified electrician if the grounding instructions are not completely understood, or if doubt exists as to whether the appliance is properly grounded. DO NOT use an extension cord. If the power supply cord is too short, have a qualified electrician install an outlet near the appliance.
- The range hood must be connected with copper wire/plug only. The range hood should be connected directly to the fused disconnect (or circuit breaker) box through flexible armored or non-metallic sheathed copper cable. UL/CSA listed strain relief must be provided at each end of the power supply cable. Use only with range hood cord-connection kits that have been investigated and found acceptable for use with this model.



STEP 10B (cabinet hoods only)

Venting

- Depending on exterior ventilation chosen (see page 17), either exit the ducting through the ceiling or wall.
- Always use rigid type metal/aluminum duct tube (follow the building codes in your area) to maximize airflow. Make sure that the backdraft flaps can open, to allow maximum airflow. Connect the duct tube to the vent/damper and securely seal with certified aluminum or foil tape so that it is air tight. Please check the building codes in your city to learn which tape product is recommended.
- For external recirculation, purchase kit at www.anconahome.com (sold separately), and move locker (located next to motor) into position. (see Figure #12)

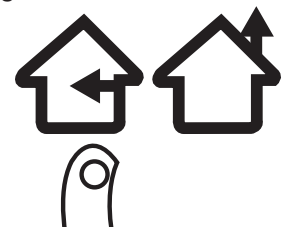


Fig. #12

STEP 14A / STEP 11B (all models)

Install Filters

To install filters for the following four steps (See Figure #13):

- Angle the filter into slots at the back of the hood.
- Push the button on handle of the filter.
- Release the handle once the filter fits into a resting position.
- Repeat to install all filters.

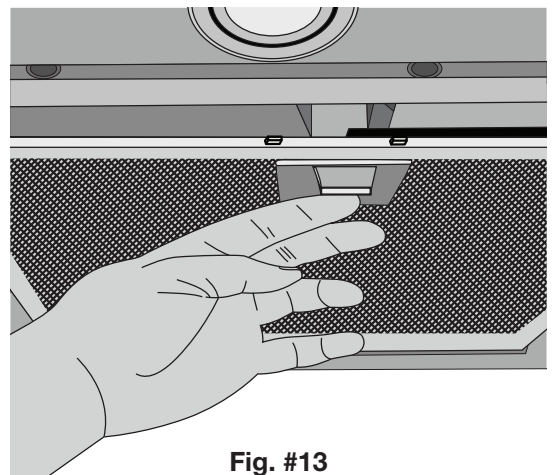


Fig. #13

Operation

AN-1158 / AN-1159 / AN-1176 / AN-1533 / AN-1534 / AN-1800 / AN-1802



OFF



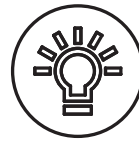
Low speed



Medium Speed



High Speed



Light

Power Settings

- 1 OFF button:** Use for turning off the fan.
- 2 Low Speed button:** Starts the fan in low speed mode.
- 3 Medium Speed button:** Starts the fan at medium speed.
- 4 High Speed button:** Starts the fan in high speed.

Lights

- 1** Use for turning the light on and off.

AN-1123



OFF



Low speed



Medium Speed



High Speed



Light/Timer

Power Settings

- 1 OFF button:** Turns off the fan, does not turn off light.
- 2 Low Speed button:** Starts the fan in low speed mode.
- 3 Medium Speed button:** Starts the fan at medium speed.
- 4 High Speed button:** Starts the fan in high speed.

Lights

- 1** Press button once to turn light on and off. Light works independently from fan.

Timer

- 1** When the hood is operating under any speed, press the and hold button for approximately 3 seconds to activate auto delay shut-off function, and fan will turn off in 5 minutes.
- 2** To cancel this function, press and hold the button again.

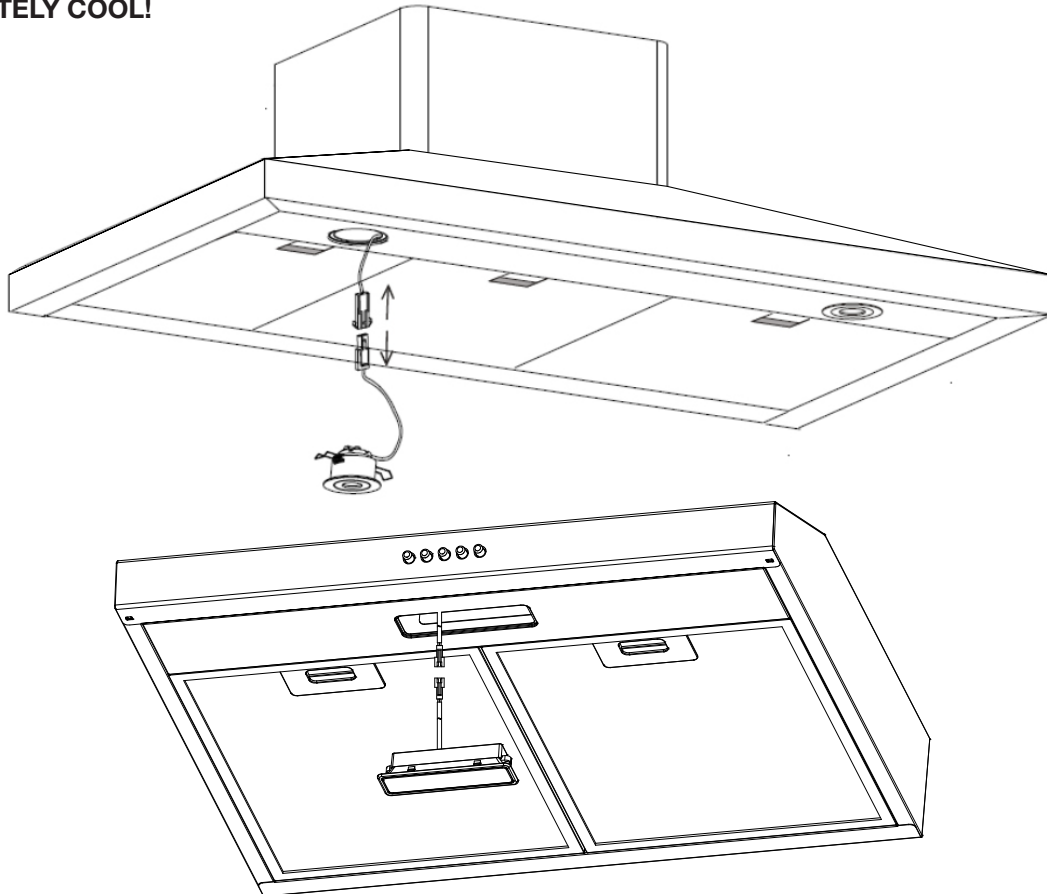
Maintenance

Replacing the Light Pucks

! **IMPORTANT:**
ALWAYS SWITCH OFF THE ELECTRICITY SUPPLY AT THE MAIN PANEL BEFORE CARRYING OUT ANY OPERATION ON THE APPLIANCE.

- 1** Make sure the range hood is unplugged or turn OFF breaker.
- 2** Remove filters, push the spring, pull out the LED puck and unplug it.
- 3** Replace LED lights. Plug in new puck and push back into light panel.
- 4** Turn ON breaker and range hood to test for operation.

! **CAUTION: PUCK MAY BE HOT, PLEASE TAKE OUT THE PUCK WHEN THE PUCK IS COMPLETELY COOL!**



- **AN-1158 / AN-1159 / AN-1176 / AN-1533 / AN-1534:** 120V, 2 × 1.5 W LED light.
- **AN-1123:** 12V, 2 × 1.5 W LED light.
- **AN-1800 / AN-1802:** 120V, 1 × 2 W LED light.

Maintenance

Cleaning Filters

IMPORTANT: Drain oil from spacers, filters, oil tunnels, oil containers before oil and residue overflow!

- Remove all spacers, filters, grease tray, and oil containers and discard oil and residue.
- Wash with warm soapy water. NOTE: Stainless steel filters, spacers and oil tunnel are top rack dishwasher safe.
- Dry thoroughly before replacing and follow directions for installation in reverse.
- Filters should be cleaned after every 30 hours of use.
- Should filters wear out due to age and prolonged use, replace with a new filter.

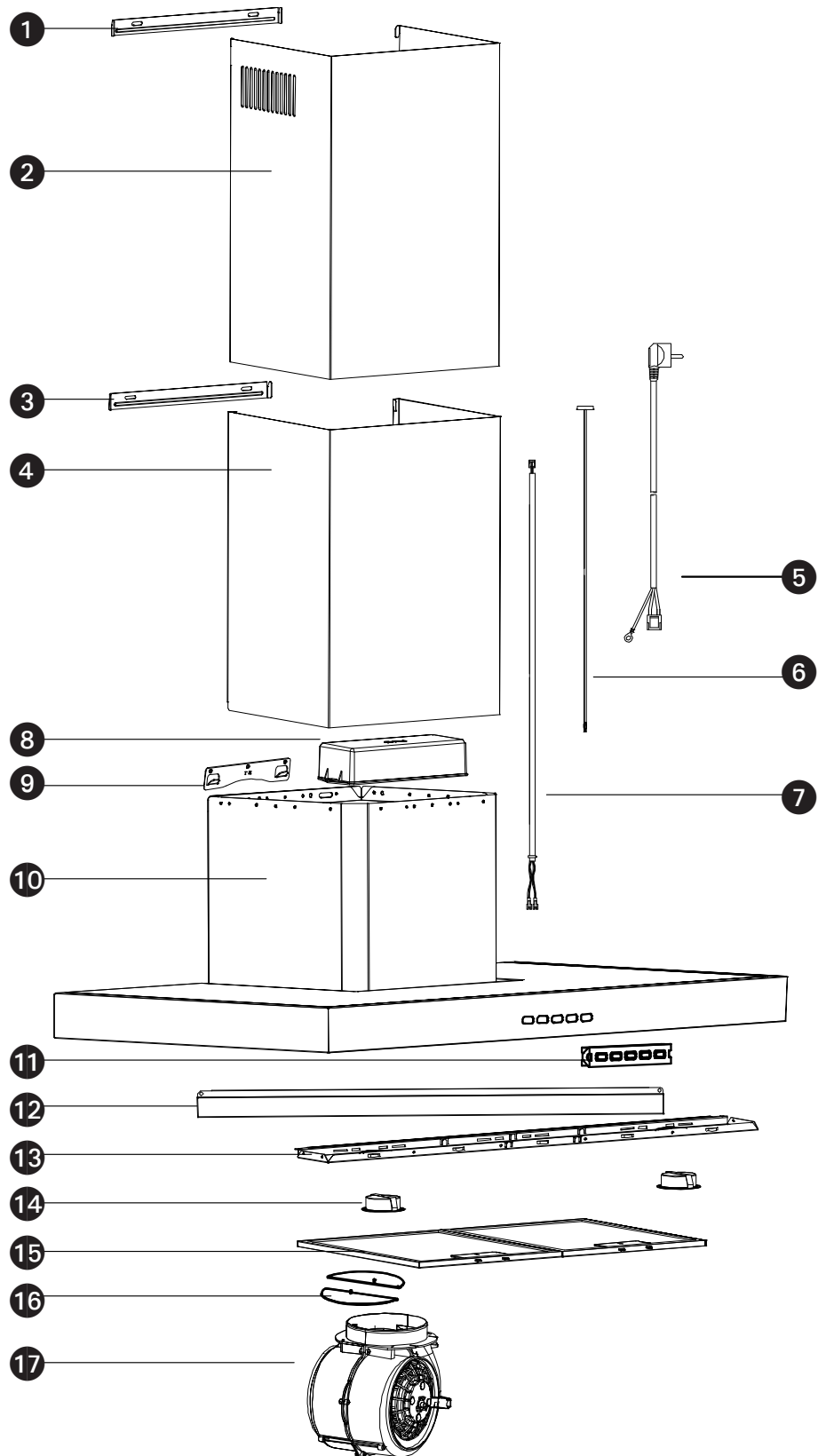
Troubleshooting

Problem	Possible Cause
If the range hood or LED light does not operate after installation:	Check if the range hood has been plugged in, make sure that all power has been turned back ON, fused not blown and all electrical wiring are properly connected.
The range hood vibrates when the blower is on:	The range hood might not have been secured properly on to the ceiling or wall.
The blower or fan seems weak:	Check that the duct sized used is at least 6 in. (15.3 cm) or 3 1/4 x 10 in. (25.4 x 8.3 cm). Range hood WILL NOT function efficiently with insufficient duct size. For example: 7 in. (17.7 cm) duct over 6 in. (15.3 cm) hole and loosely secured.
	Check if duct is clogged or if damper unit (half-circular flange) is not installed correctly or opening properly. A tight mesh on a side wall cap unit might also cause restriction to the air flow.
The lights work but the fan is not spinning at all, is stuck or is rattling:	The fan might be jammed or scraping the bottom due to shipping damage. Please contact us immediately.
The hood is not venting out properly:	Make sure the distance between the stove top and the bottom of the hood is within 24 in. and 30 in. (61 and 76.2 cm) in distance.
	Reduce the number of elbows and length of duct work. Check if all joints are properly connected, sealed, and taped.

Range Hood Assembly

AN-1123

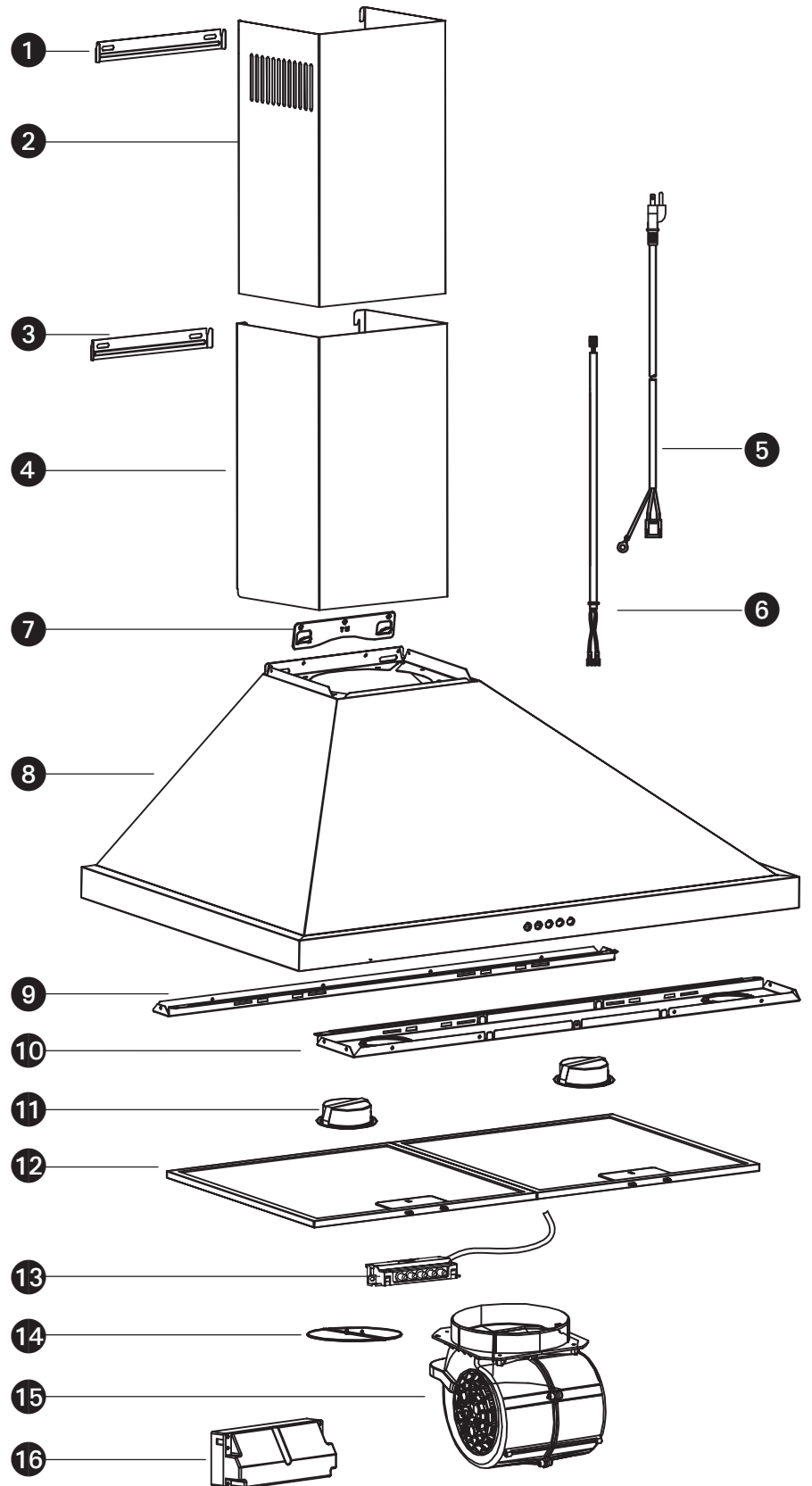
Number	Part
1	Upper chimney bracket
2	Upper chimney
3	Lower chimney bracket
4	Lower chimney
5	Power cord
6	Motor wiring
7	Light wiring
8	Power board assembly
9	Hook (hood bracket)
10	Hood housing
11	Mechanical push button
12	Rear plate
13	Light panel
14	LED lights
15	Filter
16	Damper flap
17	Motor assembly



Range Hood Assembly

AN-1158

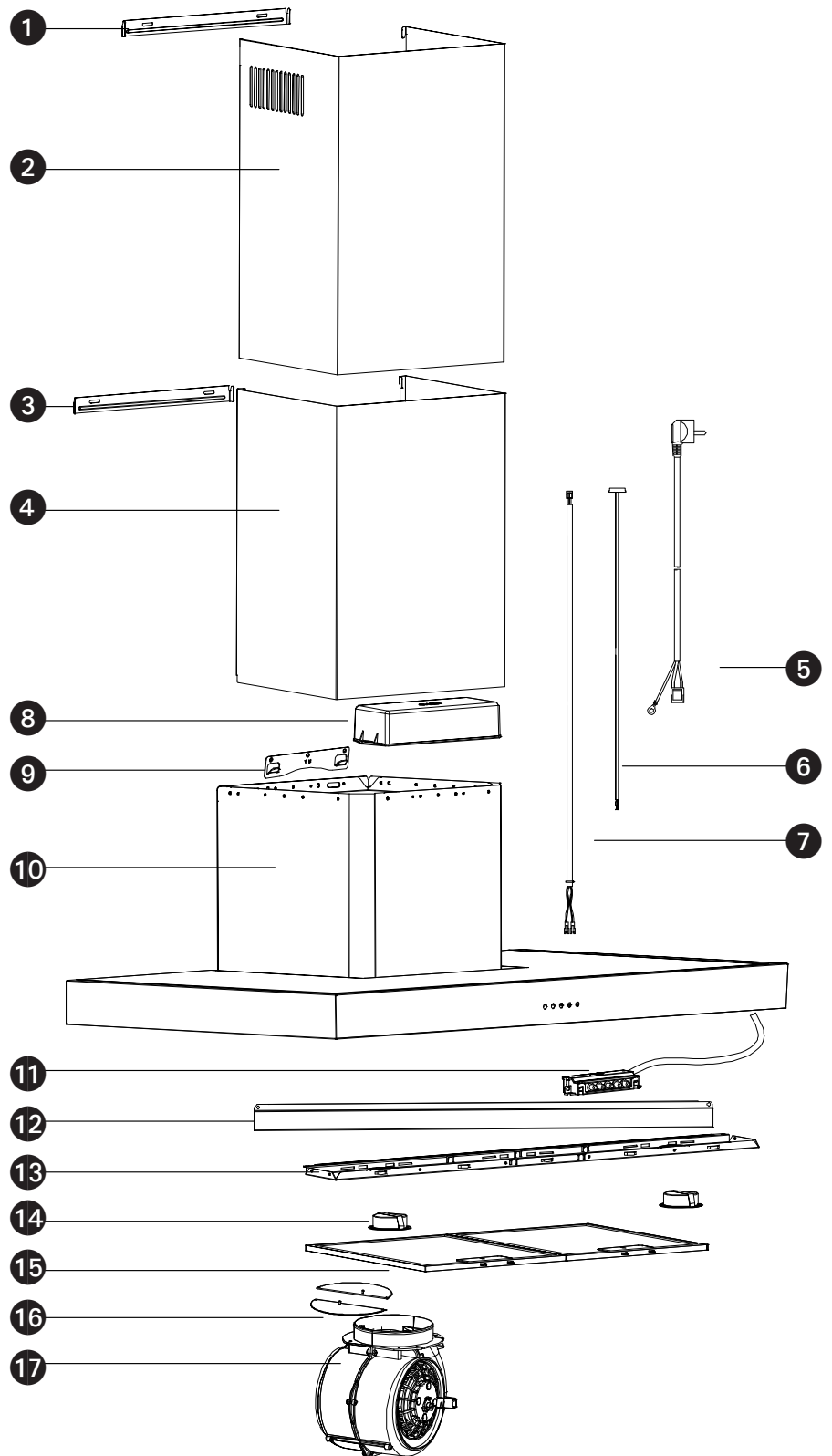
Number	Part
1	Upper chimney bracket
2	Upper chimney
3	Lower chimney bracket
4	Lower chimney
5	Power cord
6	Light wiring
7	Hook (hood bracket)
8	Hood housing
9	Rear plate
10	Light panel
11	LED lights
12	Aluminum filter
13	Mechanical push button
14	Damper flap
15	Motor assembly
16	Power board assembly



Range Hood Assembly

AN-1159

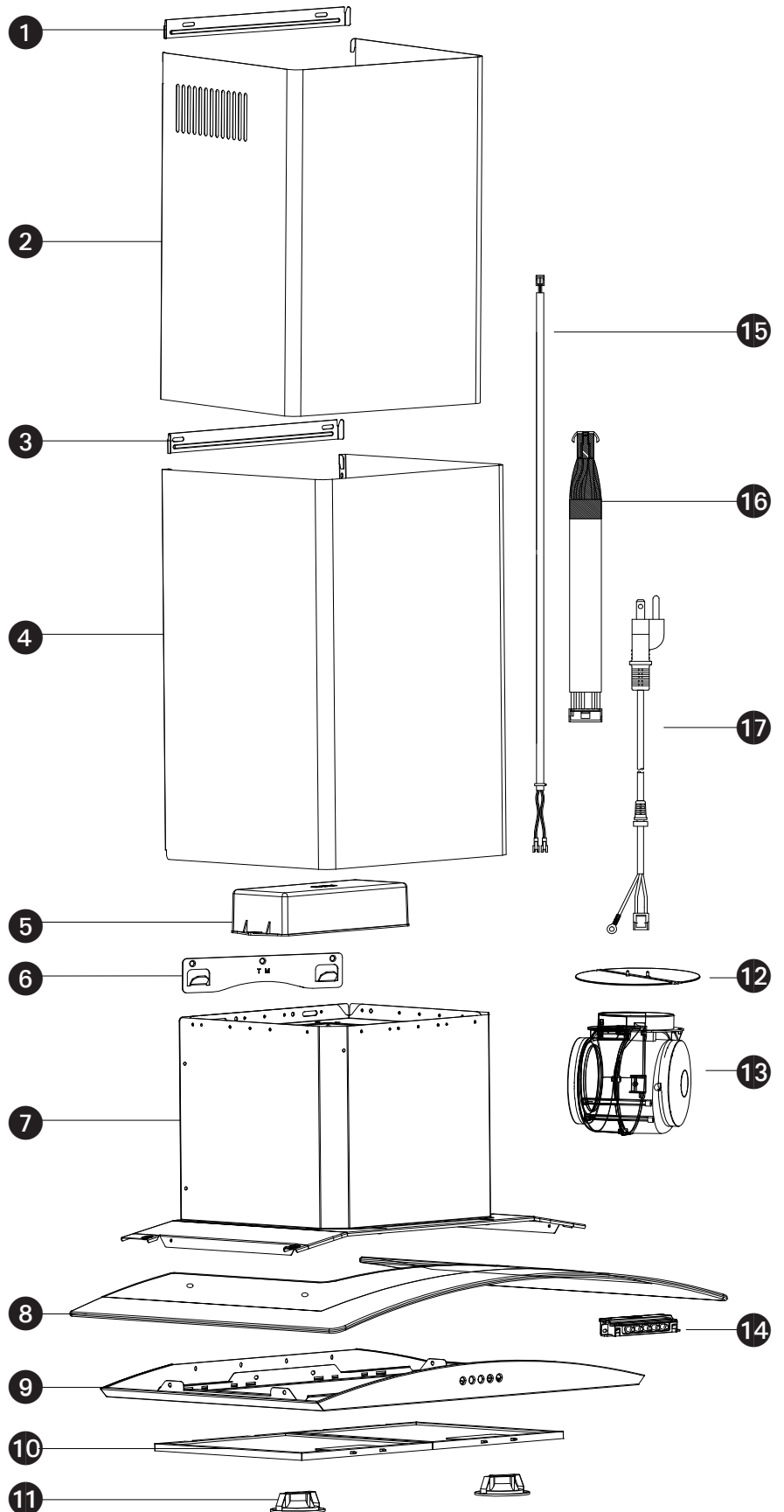
Number	Part
1	Upper chimney bracket
2	Upper chimney
3	Lower chimney bracket
4	Lower chimney
5	Power cord
6	Motor wiring
7	Light wiring
8	Power board assembly
9	Hook (hood bracket)
10	Hood housing
11	Mechanical push button
12	Rear plate
13	Light panel
14	LED lights
15	Filter
16	Damper flap
17	Motor assembly



Range Hood Assembly

AN-1176

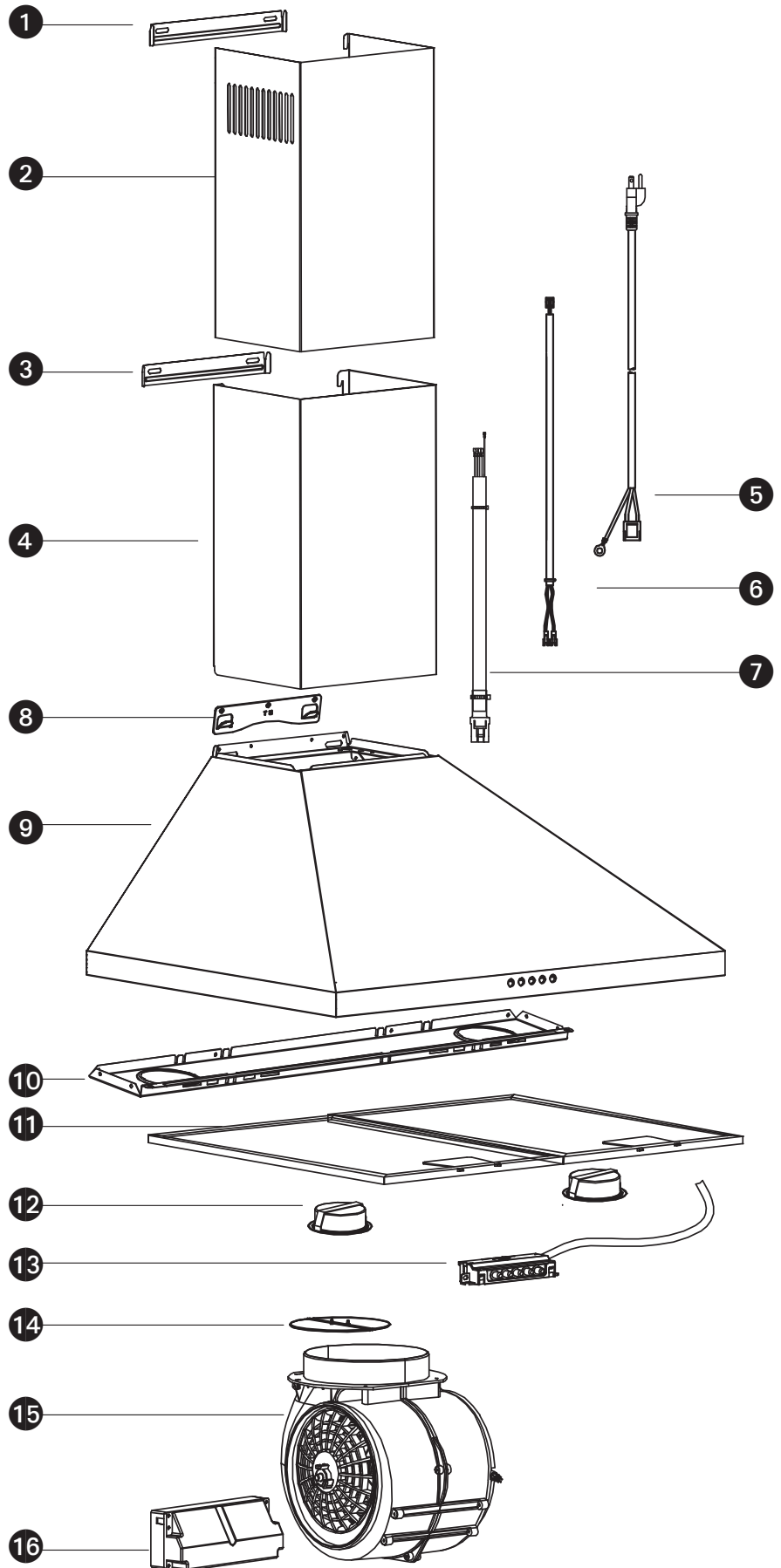
Number	Part
1	Upper chimney bracket
2	Upper chimney
3	Lower chimney bracket
4	Lower chimney
5	Power board assembly
6	Mounted hook
7	Hood housing
8	Glass
9	Panel
10	Filter
11	LED lights
12	Damper flap
13	Motor assembly
14	Mechanical push button
15	Light wiring
16	Button wiring
17	Power cord



Range Hood Assembly

AN-1533 / AN-1534

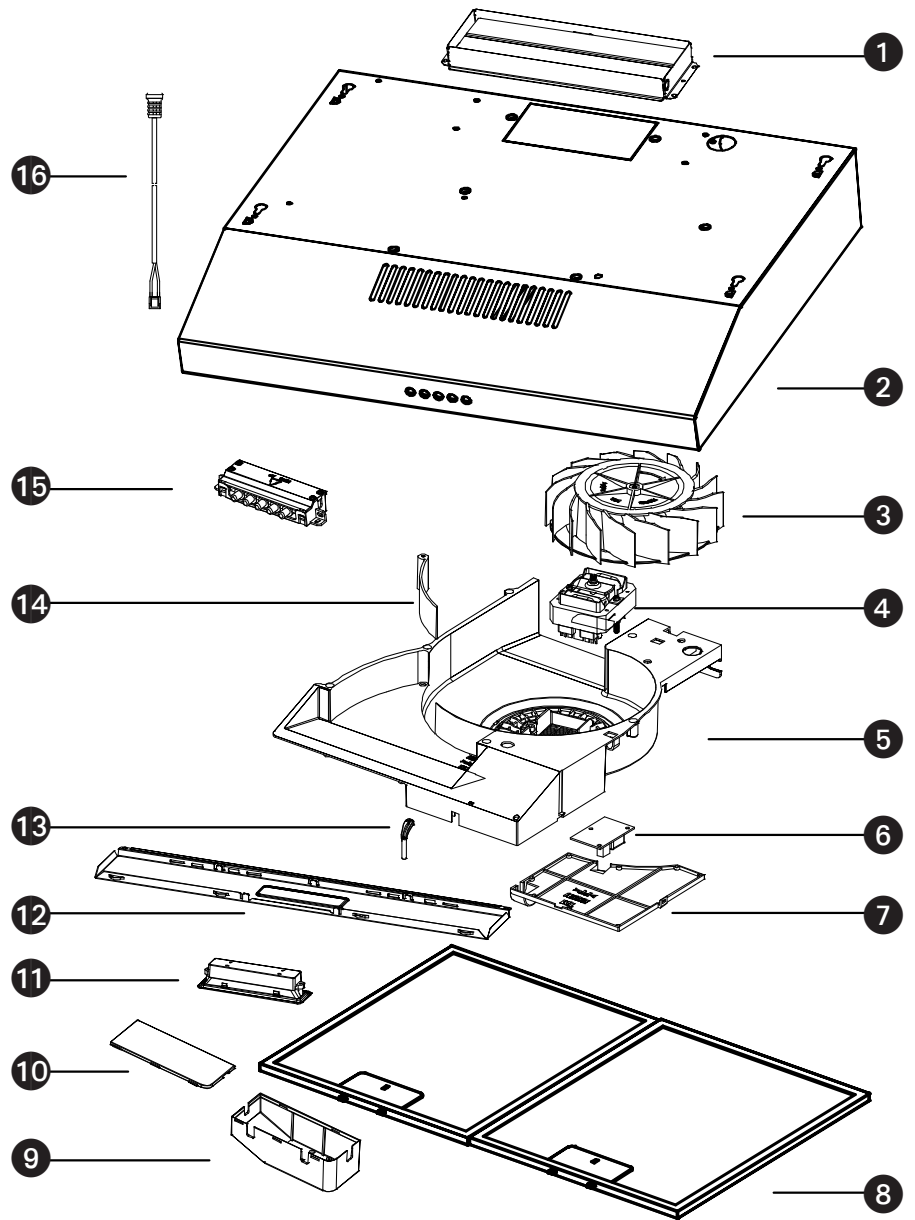
Number	Part
1	Upper chimney bracket
2	Upper chimney
3	Lower chimney bracket
4	Lower chimney
5	Power cord
6	Light wiring
7	Motor wiring
8	Hook (hood bracket)
9	Hood housing
10	Light plate
11	Filter
12	LED lights
13	Mechanical push button
14	Damper flap
15	Motor assembly
16	Power board assembly



Range Hood Assembly

AN-1800 / AN-1802

Number	Part
1	Damper
2	Hood Housing
3	Impeller
4	Motor
5	Motor housing
6	Connected plate
7	Cover of motor housing
8	Filter
9	Base of plastic box
10	Cover of plastic box
11	LED light
12	Light panel
13	Poker rode
14	Locker (for recirculation)
15	Mechanical push button
16	Power cord



Assembly

Circuit Diagram

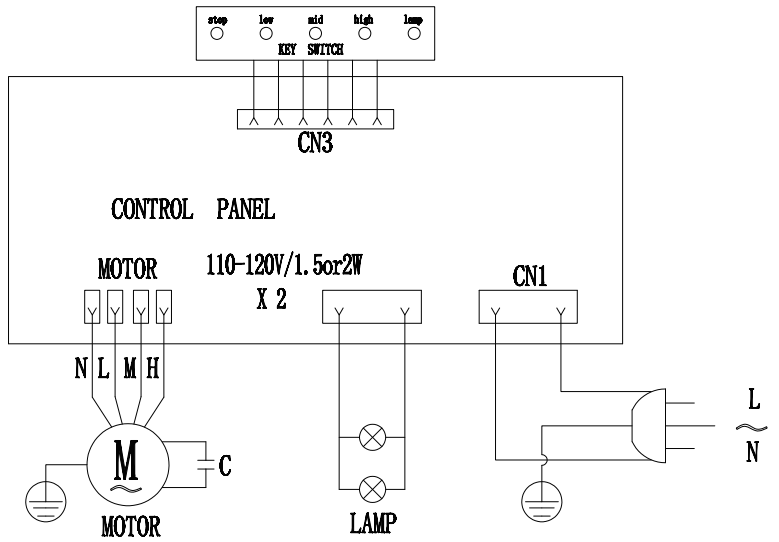
AN-1158

AN-1159

AN-1176

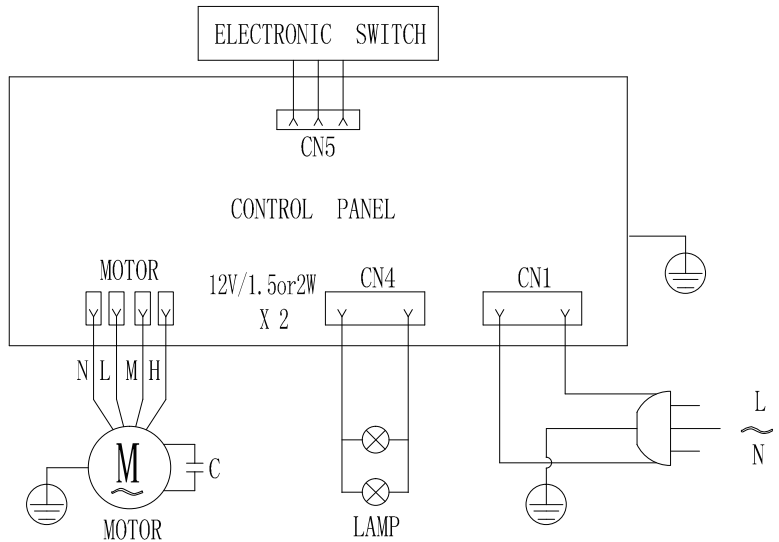
AN-1533

AN-1534



Circuit Diagram

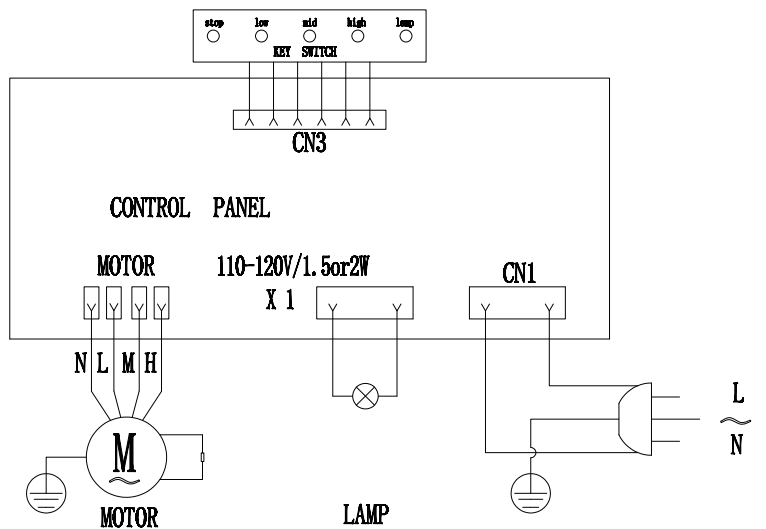
AN-1123



Circuit Diagram

AN-1800

AN-1802



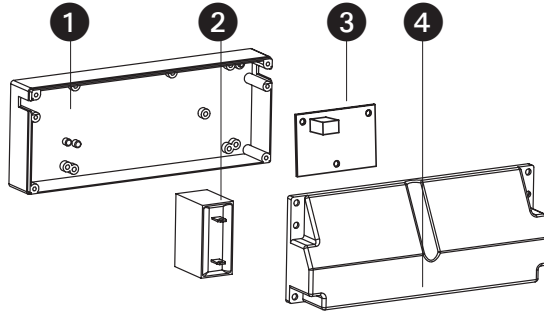
Assembly

Electrical Assembly

AN-1158

AN-1533

AN-1534

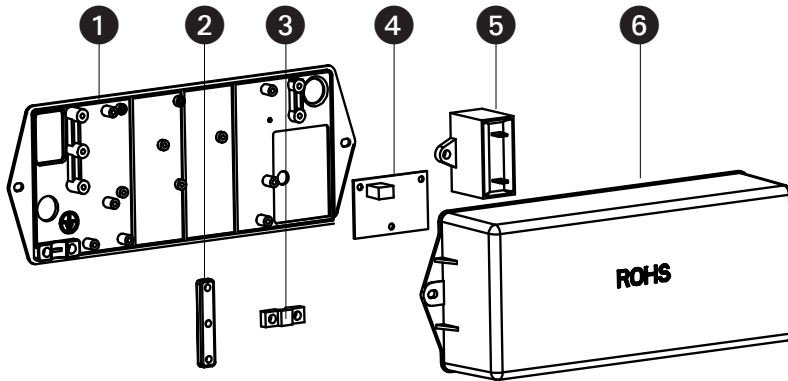


Number	Part
1	Box base
2	Patch Board
3	Capacitor
4	Box cover

Electrical Assembly

AN-1159

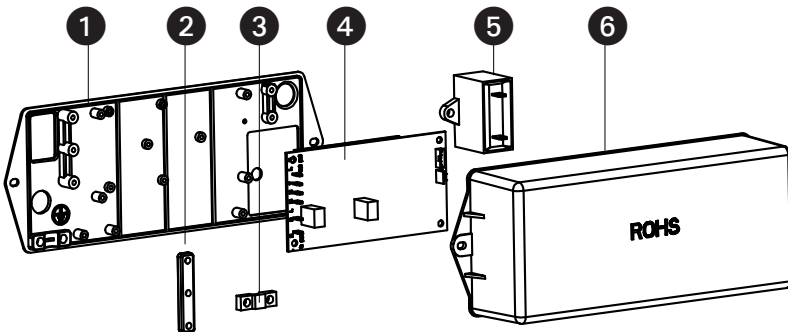
AN-1176



Number	Part
1	Box base
2	Line pressing piece
3	Tension disc
4	Patch board
5	Capacitor
6	Box cover

Electrical Assembly

AN-1123

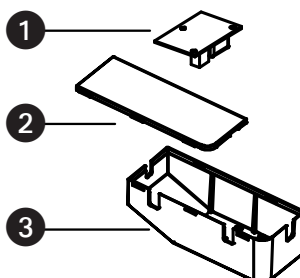


Number	Part
1	Box base
2	Line pressing piece
3	Tension disc
4	PCB board
5	Capacitor
6	Box cover

Electrical Assembly

AN-1800

AN-1802



Number	Part
1	Patch Board
2	Box base
3	Box cover

Assembly

Blower Assembly

AN-1158

AN-1159

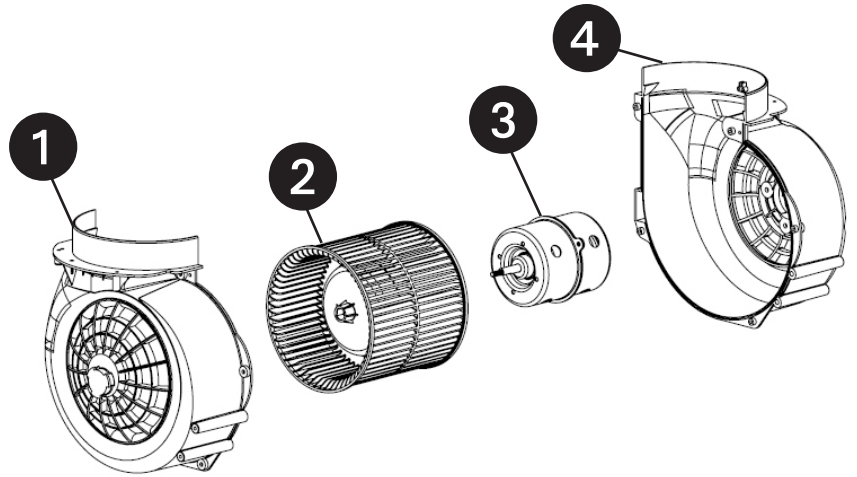
AN-1176

AN-1533

AN-1534

AN-1123

Number	Part
1	Left blower housing
2	Impeller
3	Motor
4	Right blower housing

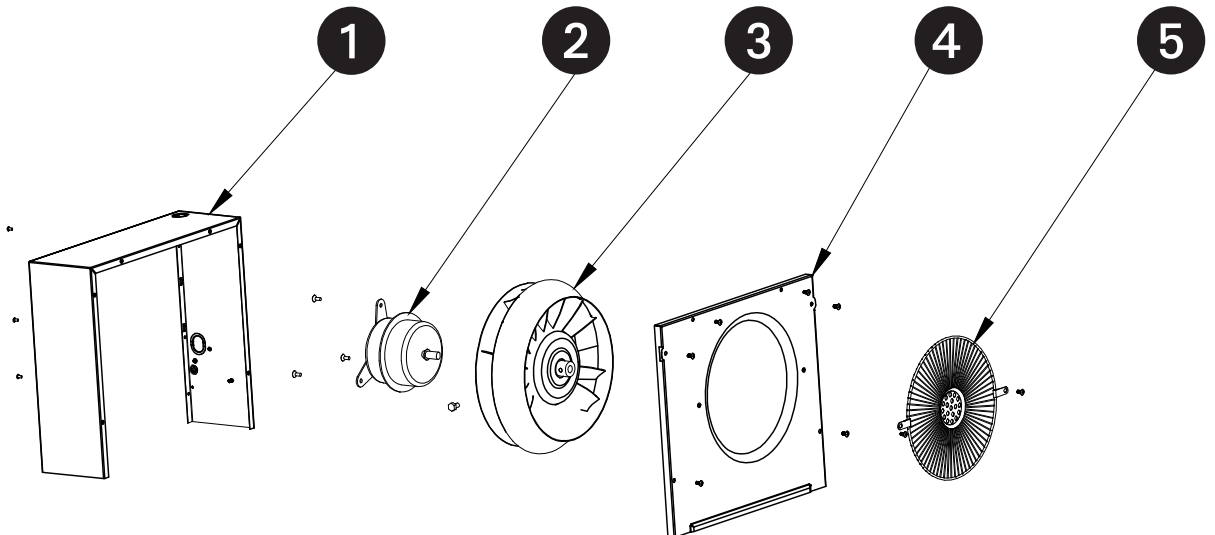


Blower Assembly

AN-1800

AN-1802

Number	Part
1	Propeller Cage
2	Motor
3	Propeller
4	Cage Plate
5	Safety screen



Use and Care Information

Operations

- Read and understand all instructions and warnings in this manual before operating the appliance. Save these instructions for future reference.
- Always leave safety grills and filters in place. Without these components, operating fans could catch on to hair, fingers and loose clothing.
- NEVER dispose cigarette ashes, ignitable substances, or any foreign objects into fans.
- NEVER leave cooking unattended. When frying, oil in the pan can easily overheat and catch fire. The risk of self combustion is higher when the oil has been used several times.
- NEVER cook on “open” flames under the range hood. Check deep-fryers during use; superheated oil may be flammable.

Cleaning

- The saturation of greasy residue in the fan and filters may cause increased inflammability. Keep unit clean and free of grease and residue build-up at all times to prevent possible fires.
- Filters must be cleaned periodically and free from accumulation of cooking residue (see Cleaning Instructions below). Old and worn filters must be replaced immediately.
- DO NOT operate fans when filters are removed. Never disassemble parts to clean without proper instructions. Disassembly is recommended to be performed by qualified personnel only. Read and understand all instructions and warnings in this manual before proceeding.



SAFETY WARNING: Never put your hand into area housing the fan while the fan is operating!

For optimal operation, clean range hood and all baffle/spacer/filter/grease tray/oil container regularly. Regular care will help preserve the appearance of the range hood.

Cleaning Exterior Surfaces

- Clean periodically with hot soapy water and clean cotton cloth. DO NOT use corrosive or abrasive detergent (e.g. Comet Power Scrub®, EZ-Off® oven cleaner), or steel wool/scoring pads, which will scratch and damage the stainless steel surface. For heavier soil use liquid degrease such as “Formula 409®” or “Fantastic®” brand cleaner.
- If hood looks splotchy (stainless steel hood), use a stainless steel cleaner to clean the surface of the hood. Avoid getting cleaning solution onto or into the control panel. Follow directions of the stainless steel cleaner. **CAUTION: DO NOT leave on too long as this may cause damage to hood finish.** Use soft towel to wipe off the cleaning solution, gently rub off any stubborn spots. Use dry soft towel to dry the hood.
- After cleaning, you may use non abrasive stainless steel polish such as 3M® or ZEP®, to polish and buff out the stainless luster and grain. Always scrub lightly, with clean cotton cloth, and with the grain.
- DO NOT allow deposits to accumulate or remain on the hood.
- DO NOT use ordinary steel wool or steel brushes. Small bits of steel may adhere to the surface and cause rusting.
- DO NOT allow salt solutions, disinfectants, bleaches, or cleaning compounds to remain in contact with stainless steel for extended periods. Many of these compounds contain chemicals, which may be harmful.
- Rinse with water after exposure to these compounds and wipe dry with a clean cloth.

Please register your product warranty by visiting the Ancona Home website.



Canada & USA

Phone: 1-800-350-4562

Fax: 800-350-8563

Email: service@anconahome.com

Website: www.anconahome.com

Ancona is in association with Mr Appliance for all after sales service calls.
Please contact their service provider or visit their website:

Phone: 888-998-2011

Website: www.mrappliance.com



MAANTM01-01