

Maykke

www.maykke.com

Installation Guide



One-Piece Toilet with Seat

HYA1100101

HYA1100201

HYA1100301

NOTICE: Consult a professional if needed.

NOTICE: Do not change or modify the product in any way. Doing so may compromise the products structural integrity and will void the warranty.

NOTICE: Installation instructions must be followed. Any diversions from the installations may risk property damage and will void the warranty.

IMPORTANT:

Observe all state and local building codes.

Carefully read all installation and care instructions before proceeding.

Tools and Materials Required

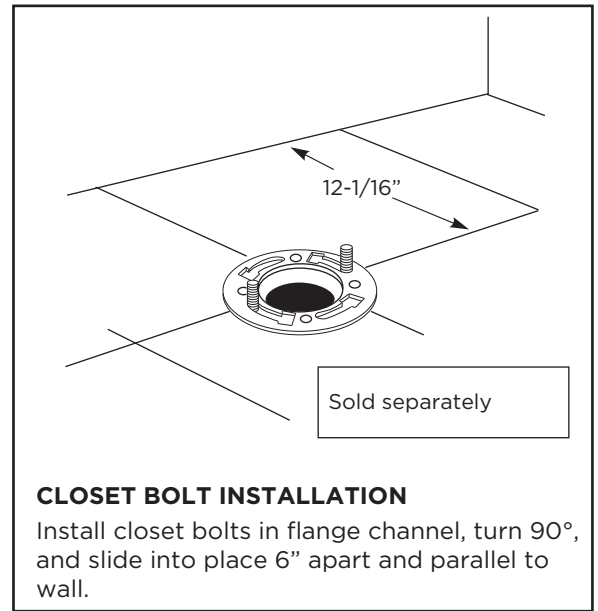
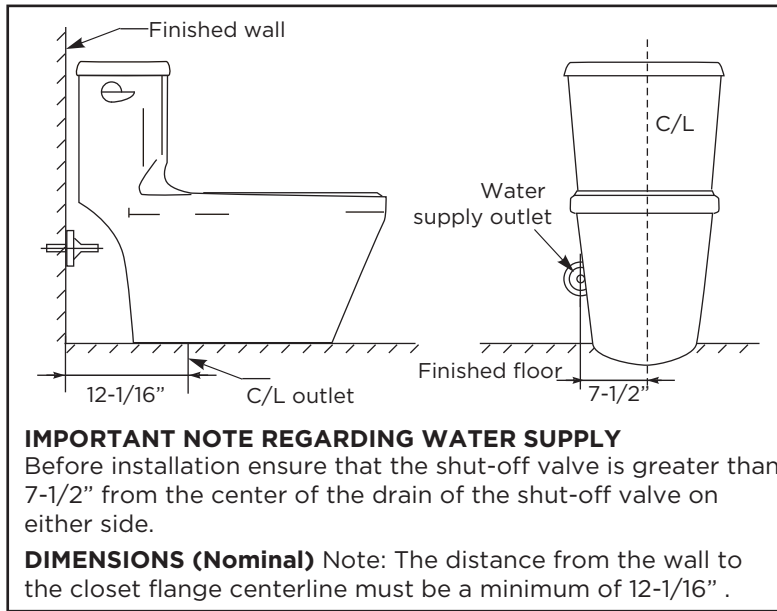
- Putty Knife
- Adjustable Wrench
- Sealant
- Measuring Tape
- Screwdriver
- Flexible Supply Tube
- Closet Bolts
- Level

Before Getting Started

Remove existing toilet, if needed.

CAUTION: If not blocked, hazardous gases may leak from the flange opening. If the new toilet is not installed immediately, temporarily place a rag in the flange opening. Remove closet bolts from flange and remove old wax and putty from base.

CAUTION: Risk of product damage. Do not use in-tank cleaners in your toilet. Products containing chlorine (calcium hypochlorite) can seriously damage fittings in the tank. This damage can cause leakage and property damage.



Preparing the Floor:

Mounting surface must be clean and leveled before new toilet is installed.

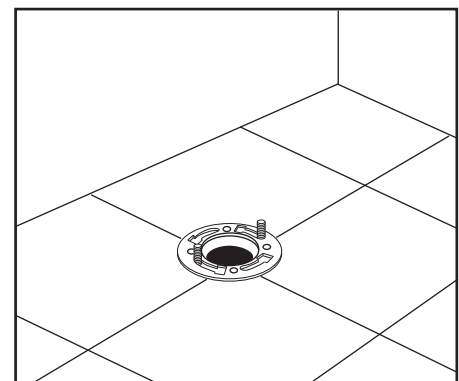
Installing the Wax Ring

- Invert toilet on floor, being sure to cushion to prevent damage. Install wax ring according to manufacturer's instructions.
- Apply a thin layer of sealant around base of toilet.

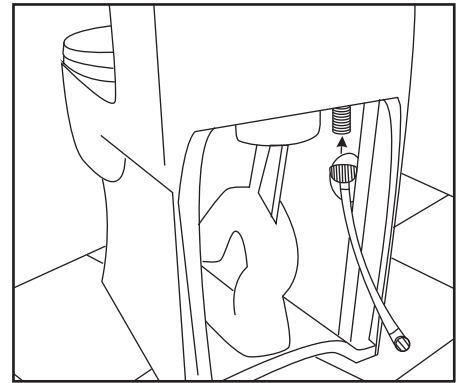
Installing the Toilet

Step 1 : Install new floor bolts into floor flange.
 See Figure 1.

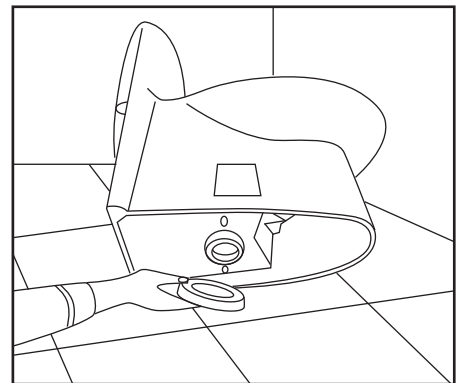
Figure 1.



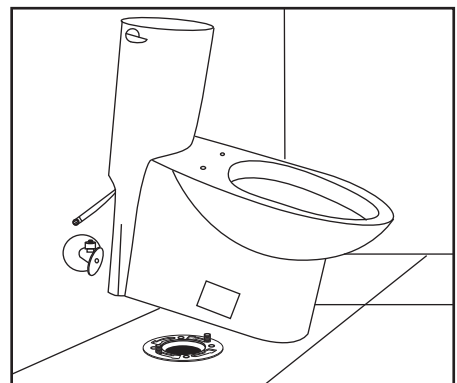
Step 2 : Attach flexible water supply line to the inlet of the fill valve and hand tighten only. **At this point, DO NOT connect to the water shut-off valve.**
See Figure 2.



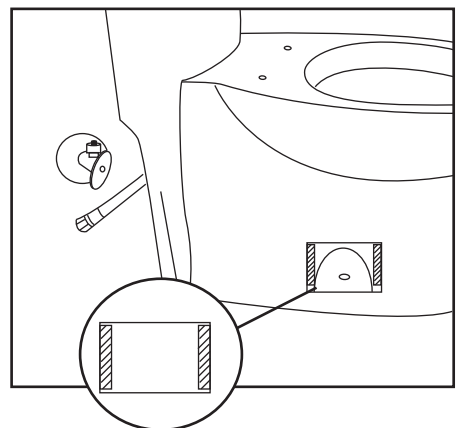
Step 3 : Place a new wax ring around the waste flange of toilet bowl.
See Figure 3.



Step 4 : Lower the toilet onto the closet bolts, so the bolts project through mounting holes in base of toilet. Using a rocking motion, press the bowl down to position the toilet onto the flange.
See Figure 4.



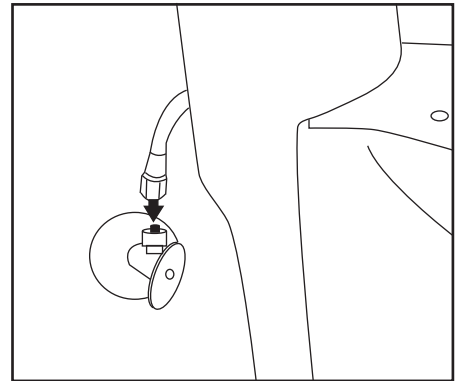
Step 5 : Remove the ceramic bolt cover. Alternately tighten nuts until toilet is firmly seated on floor. Adhere the bolt cover to toilet by using hook and loop fasteners.
See Figure 5.



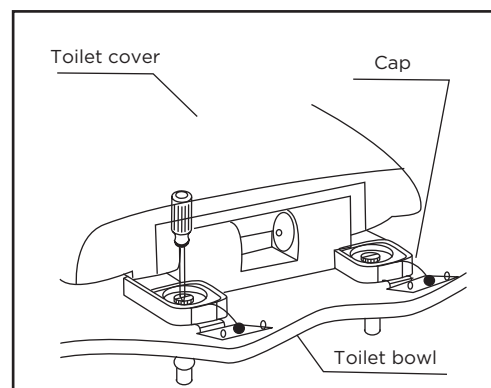
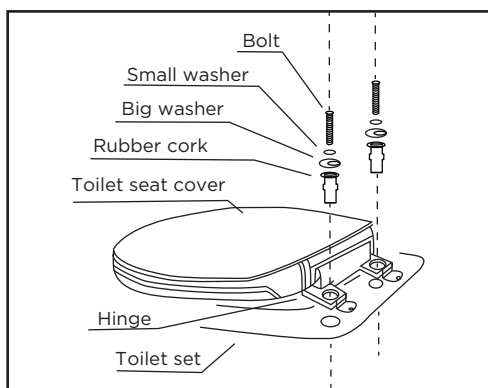
Step 6 : Connect the flexible water supply line (not included) to the shut-off valve. Tighten coupling nut securely.

See **Figure 6.**

Figure 6.



Installing the Toilet Seat



- Place the toilet seat cover on bowl, insert the bolt, washer and rubber cord in hinge install hole-order.
- Adjust position of toilet seat cover to match toilet set suitably after insert rubber cord into toilet install hole.
- Tighten the bolt and close the hinge cover.
- Insert the nut into the two holes perfectly and screw it with scresdriver, then put the cap on it.

Care Guide

- Use a soft, dampened sponge or cloth. Never use an abrasive material such as a brush or scouring pad to clean surfaces.
- Soft abrasive cleaners may be used when necessary to clean our products. Strong abrasive cleaners will scratch and dull the surface.

For warranty information please check www.maykke.com.

For customer service concerns please call: [877.659.2858](tel:877.659.2858) or email: support@maykke.com