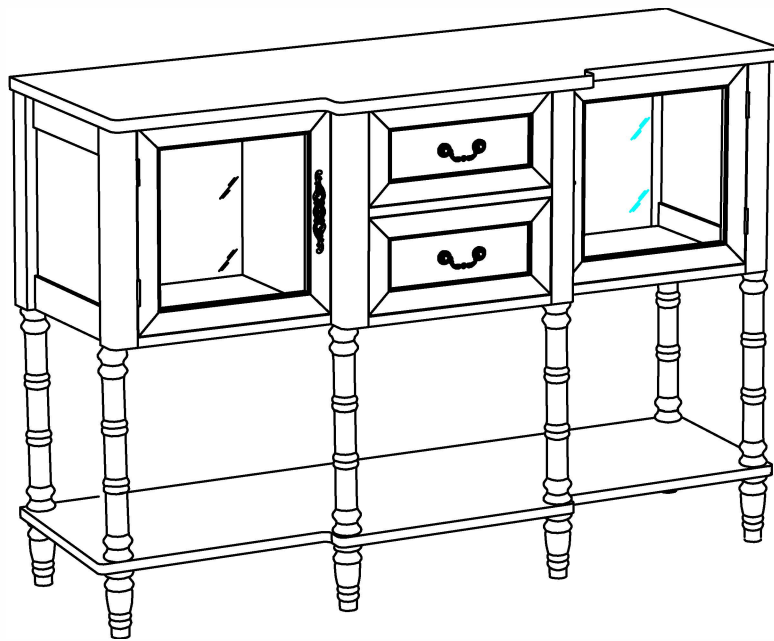


ASSEMBLY INSTRUCTIONS



NOTE TO CUSTOMERS:

- For ease and speed of assemble we recommend that before you commence each step of the assembly that you identify all the parts required to complete that step.
- We recommend that where possible you allow sufficient space to assemble the item as close as possible to the place where it will be once assembled.
- For the protection of your furniture we recommend that the product is placed on protected surfaces during assembly to prevent any damage.
- During assembly do not over tighten, as this may damage the product.
- Please ensure you retain all the product packaging until the item completely assembled.
- Please periodically check all fittings and re-tighten as necessary.
- Never allow any liquids to remain on your furniture as absorption can cause the wood to warp or the finish to de-laminate.
- It is recommended that this item should be assembled by two adults.

To insert a cam lock: (Please read below instructions before assembling)

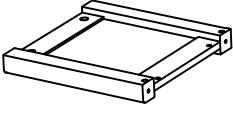
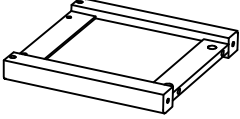
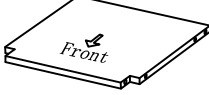
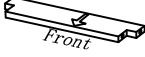




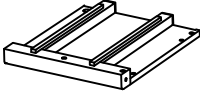
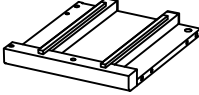
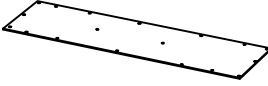
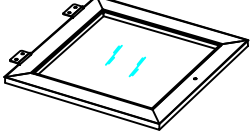
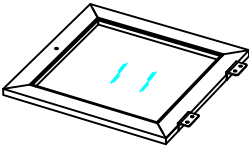
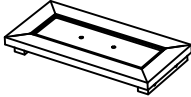
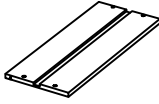

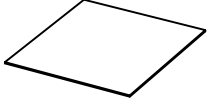
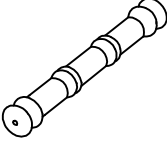

	<p>Diagram A</p>	<p>1. Insert cam screw into hole as shown in diagram A .</p>
	<p>Diagram B</p>	<p>Make sure not to insert the cam screw: Too deep as shown in figure B as this will cause the cam screw to be misaligned and unable to interlock properly.</p>
	<p>Diagram C</p>	<p>Also avoid inserting the cam screw too close to the surface of the hole as shown in figure C, as this will cause the cam lock to be too loose, and not interlock properly.</p>

	<p>2. Connect the panels together.</p>
	<p>3. When inserting the cam lock make sure the arrow of the cam lock faces the cam screw.</p>
	<p>4. To tighten the cam lock turn the cam lock clockwise 90-180 degree or until the arrow is facing opposite the place cam lock was inserted.</p> <p>NOTE: DO NOT USE AN AUTOMATIC SCREWDRIVER TO TIGHTEN CAM LOCKS.</p>








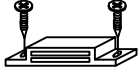




Note:

- Read these instructions carefully before assembling.
- Tools required : Phillips screwdriver, flat screwdriver.
- Find a clean, smooth area on which to work , such as a carpet, in order to avoid scratching the wood surfaces.
- Wait to dispose of the packing material until assembly is complete and all parts and hardware are accounted for.
- Two or more people might be required for assembly.

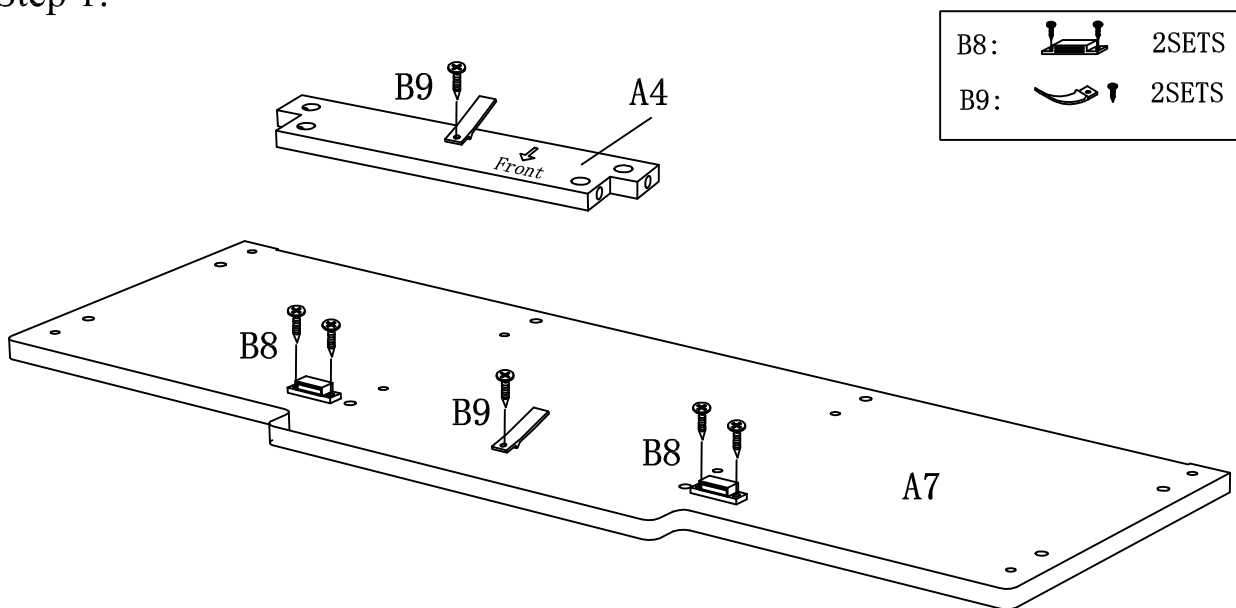
Part List

<p>A1. Quantity of 1</p>  <p>Left Side Panel</p>	<p>A2. Quantity of 1</p>  <p>Right Side Panel</p>	<p>A3. Quantity of 1</p>  <p>Middle Shelf</p>	<p>A4. Quantity of 1</p>  <p>Cross Bar</p>
<p>A5. Quantity of 1</p>  <p>Left Shelf</p>	<p>A6. Quantity of 1</p>  <p>Right Shelf</p>	<p>A7. Quantity of 1</p>  <p>Top Panel</p>	<p>A8. Quantity of 1</p>  <p>Bottom Shelf</p>
<p>A9. Quantity of 1</p>  <p>Left Divider</p>	<p>A10. Quantity of 1</p>  <p>Right Divider</p>	<p>A11. Quantity of 1</p>  <p>Back Panel</p>	<p>A12. Quantity of 1</p>  <p>Left Door</p>
<p>A13. Quantity of 1</p>  <p>Right Door</p>	<p>A14. Quantity of 2</p>  <p>Drawer Front Panet</p>	<p>A15. Quantity of 4</p>  <p>Drawer Side Panet</p>	<p>A16. Quantity of 2</p>  <p>Drawer Back Panel</p>
<p>A17. Quantity of 2</p>  <p>Drawer Bottom Panel</p>	<p>A18. Quantity of 6</p>  <p>Center Leg</p>	<p>A19. Quantity of 6</p>  <p>Bottom Leg</p>	

Hardware List

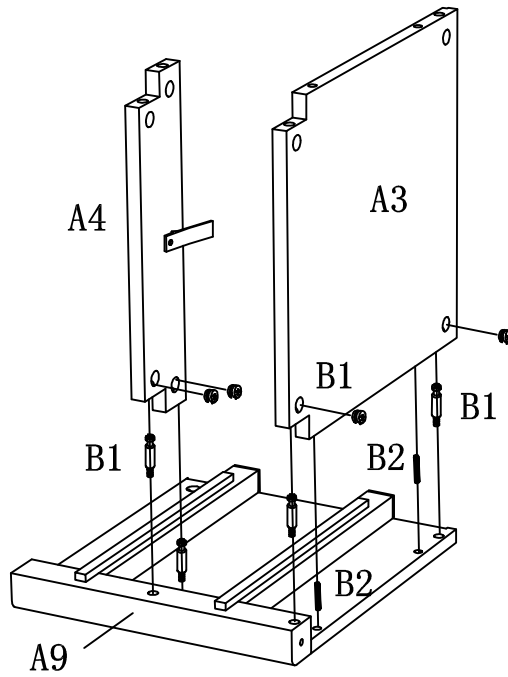
B1. Quantity of 24	B2. Quantity of 20	B3. Quantity of 18	B4. Quantity of 8
 Camlock	 Wood Dowel	 Screw	 Screw
B5. Quantity of 16	B6. Quantity of 2	B7. Quantity of 2	B8. Quantity of 2
 Screw	 Door Knob	 Flower	 Magent
B9. Quantity of 2	B10. Quantity of 2	B11. Quantity of 1	B12. Quantity of 1
 Stopper	 Drawer Knob	 Anchor with Screw	 Anti-tip kit




Step 1:



- 1). Attach Stopper B9 to Cross Bar A4 and the bottom of Top Panel A7 using included Screws.
 - 2). Attach Magents B8 to the bottom of Top Panel A7 using included Screws.
- Note: Holes for screws are pre-drilled.

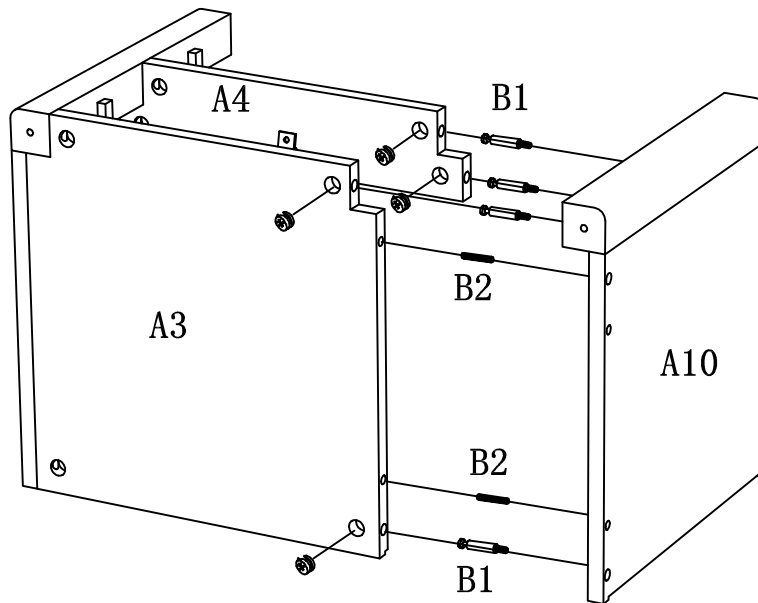
Step 2:






B1:			4SETS
B2:			2PCS

Assemble Middle Shelf A3 & Cross Bar A4 to Left Divider A9 using Camlocks B1 and Wood Dowels B2.


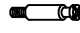

Step 3:

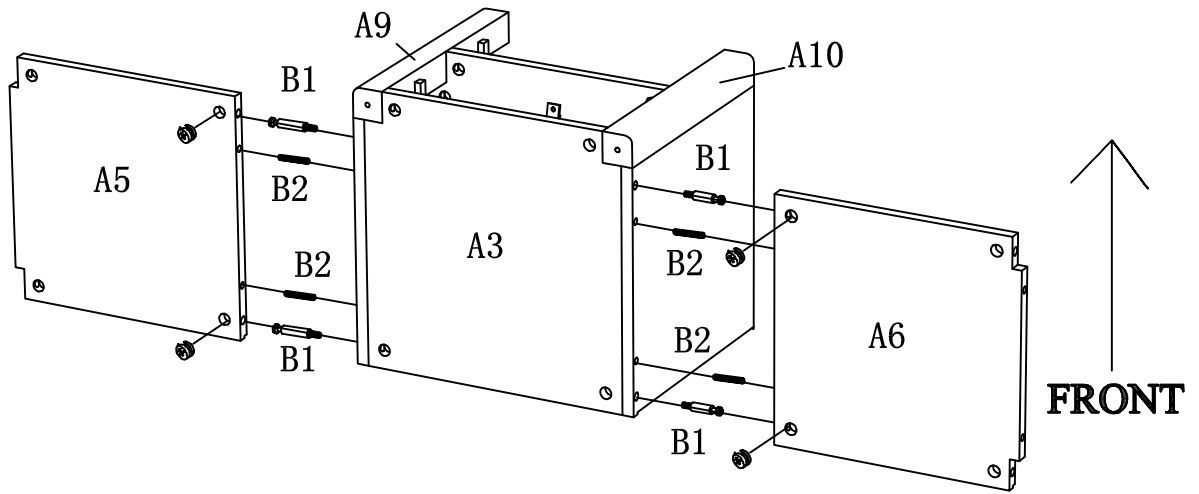


B1:			4SETS
B2:			2PCS

Assemble Middle Shelf A3 & Cross Bar A4 to Right Panel A10 using Camlocks B1 and Wood Dowels B2.


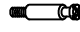

Step 4:

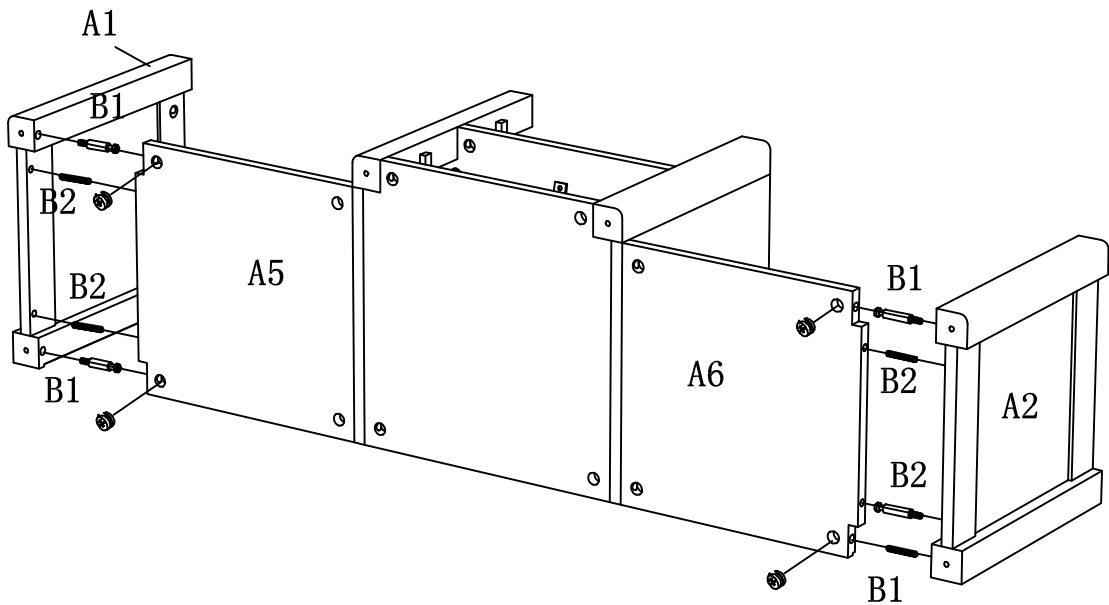
B1:			4SETS
B2:			4PCS



Assemble Shelf A5 & A6 (L&R) to Dividers A9 & A10 (L&R) using Camlocks B1 and Wood Dowels B2.


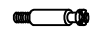

Step 5:

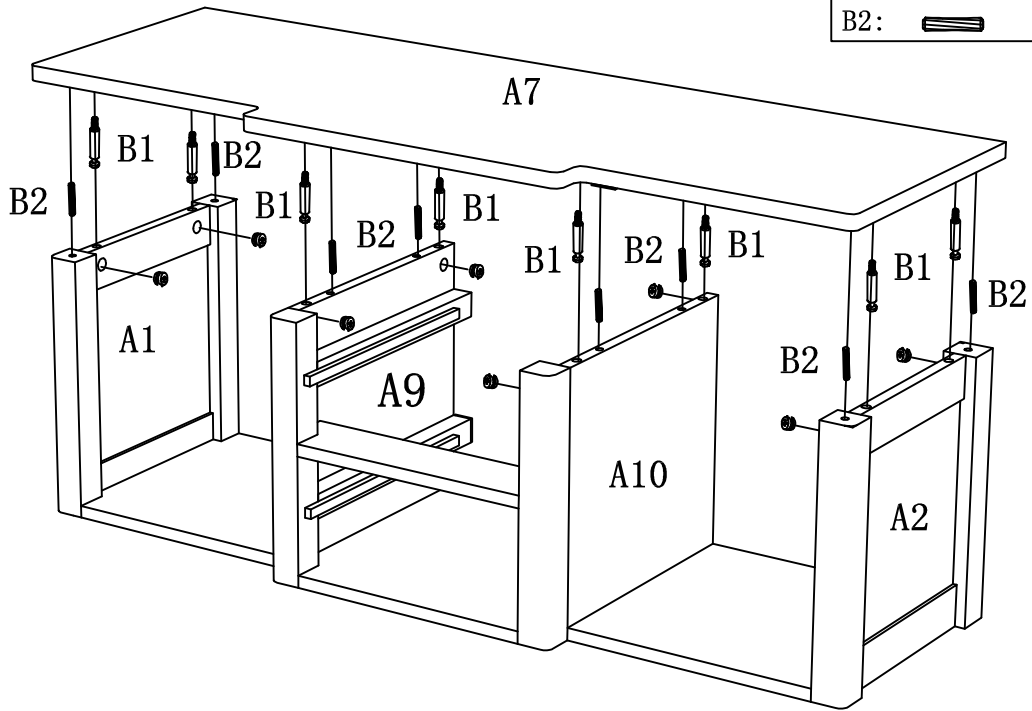
B1:			4SETS
B2:			4PCS



Assemble Side Panels A1 & A2 (L&R) to Shelf A5 & A6 (L&R) using Camlocks B1 and Wood Dowels B2.

Step 6:

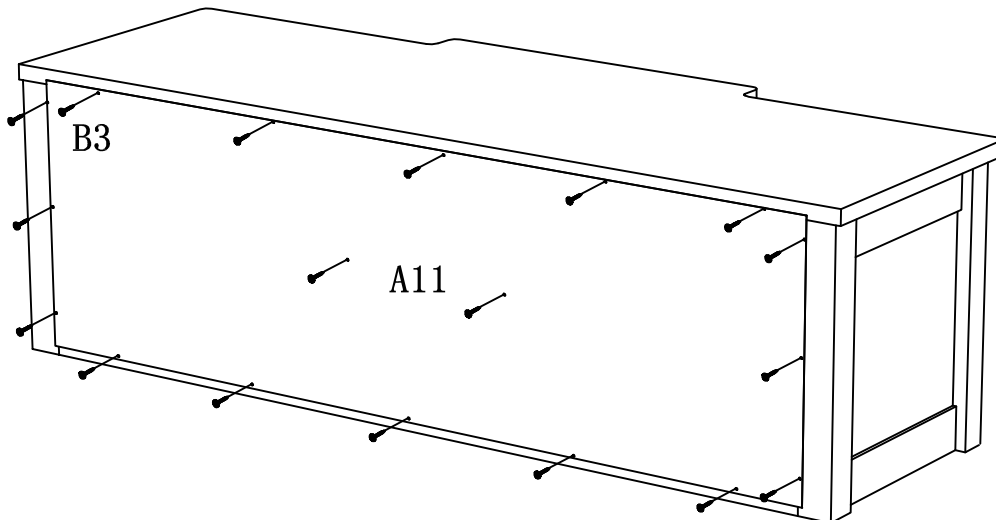
B1:   8SETS
B2:  8PCS



Assemble Top Panel A7 to Left Panel A1, Right Panel A2, Left Divider A9 and Right Divider A10 using Camlocks B1 and Wood Dowels B2.

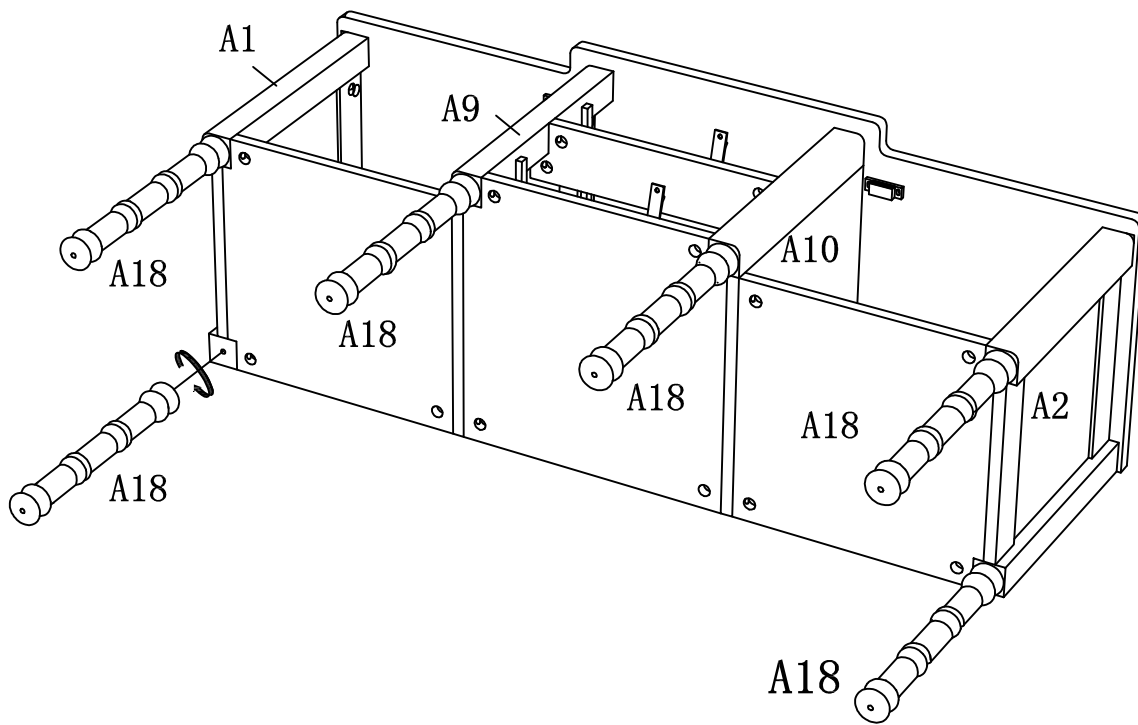
Step 7:

B3:  16PCS



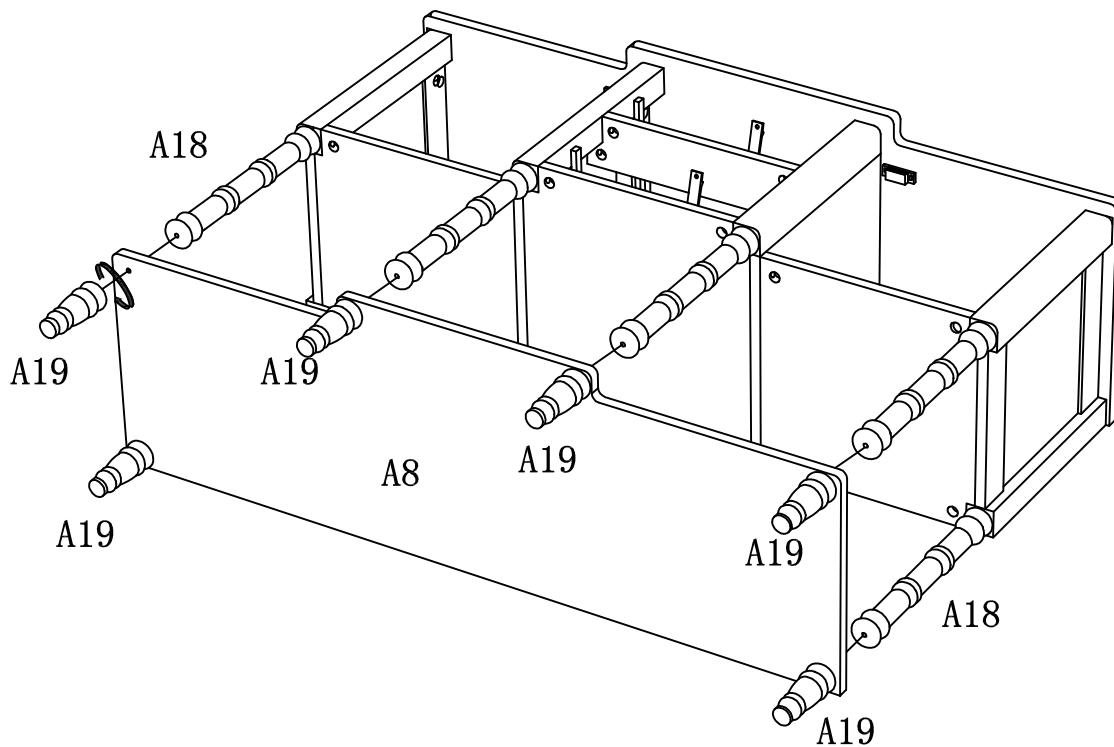
Assemble Back Panel A11 to the back of the unit using Screws B3.

Step 8:



Attach and tighten Center Legs A18 to the bottom of Left Panel A1, Right Panel A2, Left Divider A9 and Right Divider A10 as shown above.

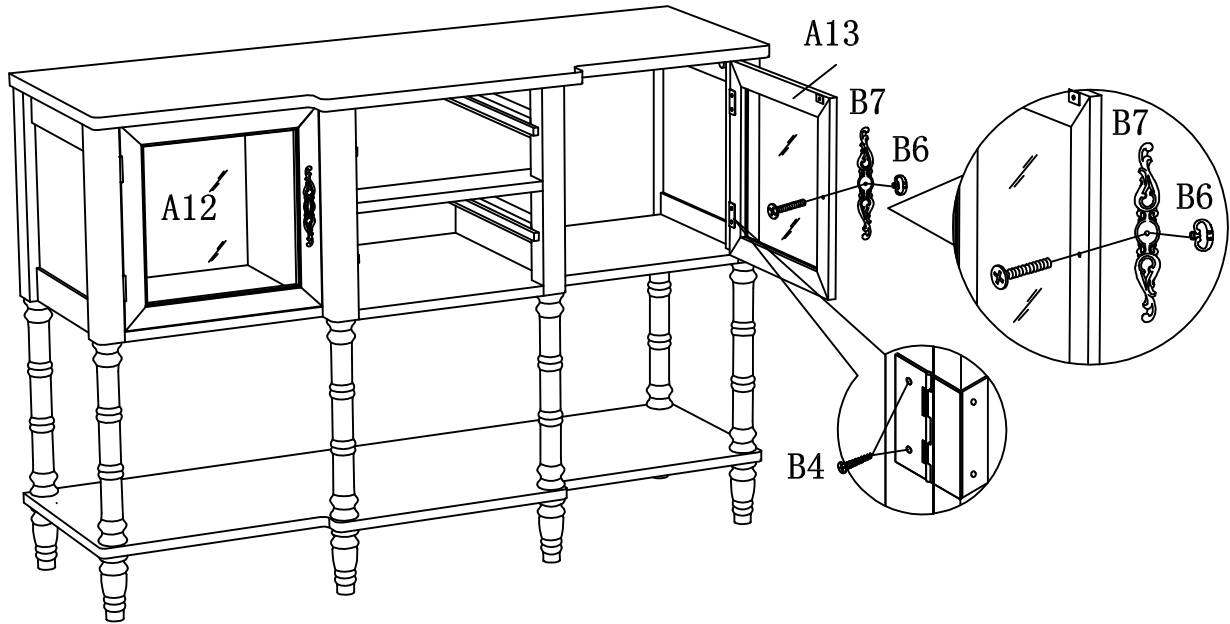
Step 9:



Attach and tighten Bottom Legs A19 by inserting the legs through the Bottom Shelf A8 and attach it to Center Legs A18.

Step 10:

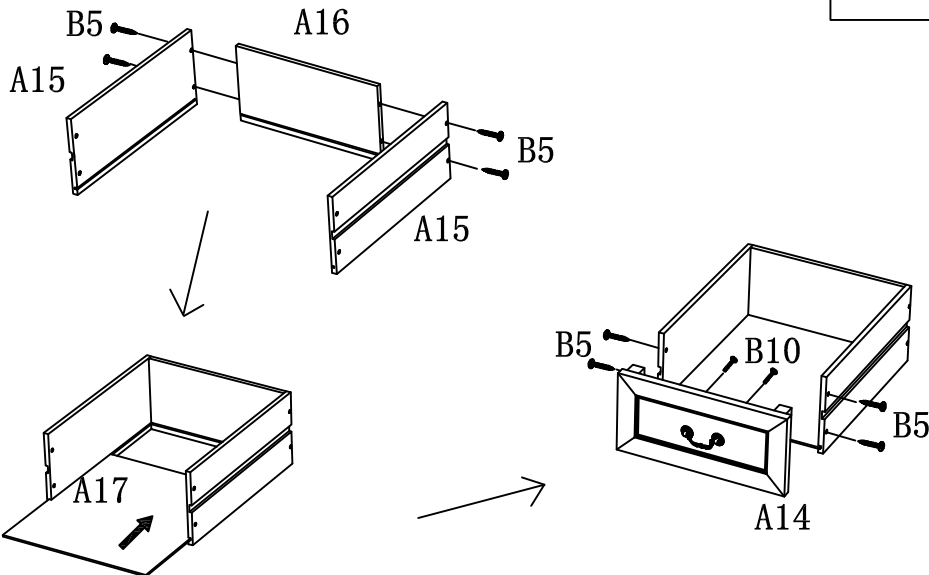
B4:		8PCS
B6:		2SETS
B7:		2PCS



- 1). Assemble Doors A12 & A13 (L&R) to Side Panels A1 & A2 (L&R) using Screws B4.
- 2). Attach Door Knob B6 and Flowers B7 to Door A12 & A13 (L&R) using included bolts as shown above.

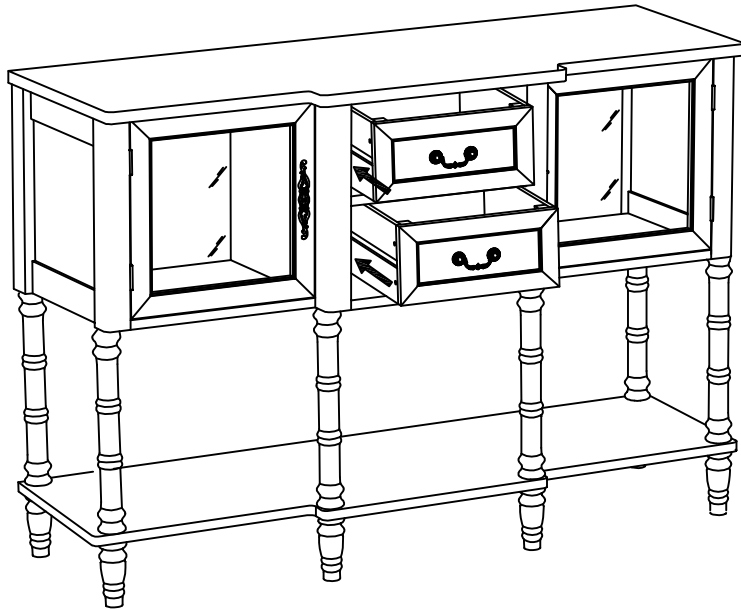
Step 11:

B5:		16PCS
B10:		2SET



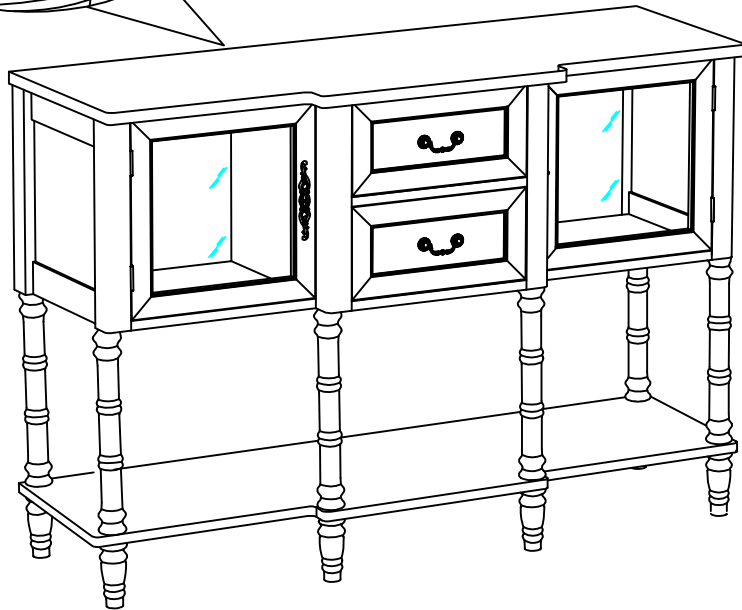
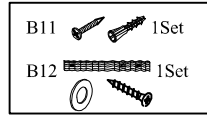
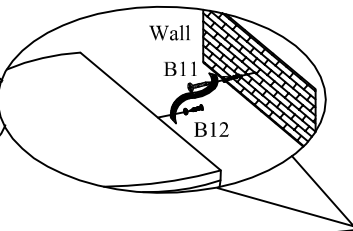
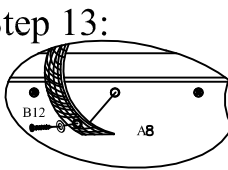
- 1). Assemble Drawer Side Panels A15 to Drawer Back Panel A16 using Screws B5.
 - 2). Insert Drawer Bottom Panel A17 into grooves on Drawer Side Panels A15 and Drawer Back Panel A16.
 - 3). Assemble Drawer Front Panel A14 to Drawer Side Panels A15 using Screws B5.
 - 4). Attach Drawer Knob B10 to Drawer Front Panel A14 using included Bolt.
- Repeat above 4 steps to assemble the other drawer.

Step 12:



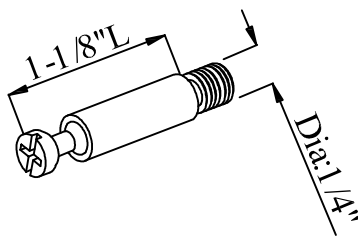
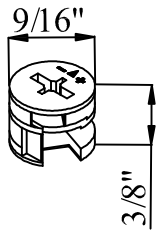
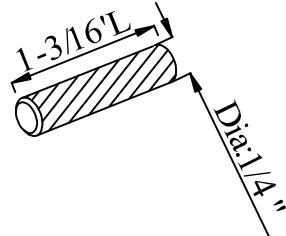
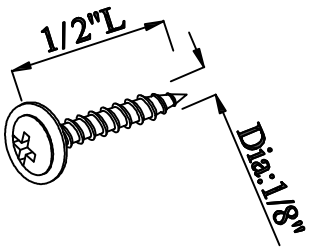
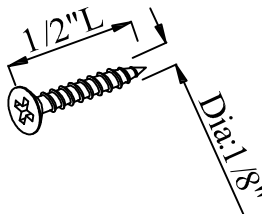
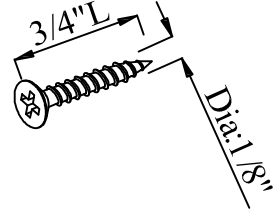
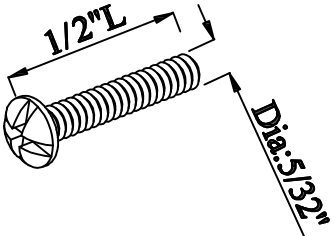
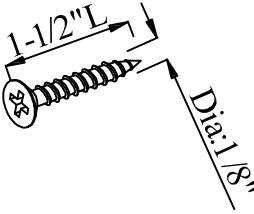
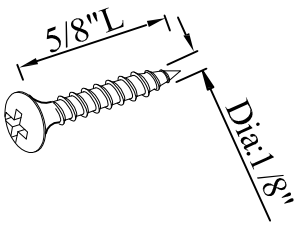
Insert Drawers into the table.

Step 13:



For your safety, please attach the unit to the wall by Anchor with Screws B10 and Anti-tip kit B11.

Appendix: Dimension of Hardware in this AI.

<p>B1.</p>  <p>Cam-bolt</p>	<p>B1.</p>  <p>Cam-nut</p>	<p>B2.</p> 
<p>B3&B8&B9.</p>  <p>Screw</p>	<p>B4</p>  <p>Screw</p>	<p>B5</p>  <p>Screw</p>
<p>B6&B10</p>  <p>Bolt for Handle</p>	<p>B11</p>  <p>Screw</p>	<p>B12.</p>  <p>Screw</p>